

①

ROBERT P. UPCHURCH  
351 Shetland Valley Court  
Chesterfield, MO 63005-4840  
(636) 530-6022

---

11 JUN 2006

Dear J.

I want to express my deep appreciation for your generous contribution in support for Upchurch Research which arrived on 9 JUN 06. We are processing huge amounts of data and there seems to be no end to what we can uncover and publish.

I am writing in haste to get this and some other notes in the mail. We leave during East Annouem for a three week trip. First we will see our Grandson graduate from High School in VA. While there I'll tour four Battlefield sites where my Grandfather Upchurch fought in the Civil War. Then its on to N.C. to spend two glorious weeks on family history research. I'll come back home with lots to move.

With Appreciation and All Good Wishes!

Sincerely yours  
① Phil Upchurch  
[ROBERT PHILLIP UPCHURCH]

2

29 MAY 2006

REC'D  
9 JUN 2006

FORM TO USE IN COMMUNICATING ABOUT  
THE UPCHURCH PUBLICATIONS

- I. I wish to receive any additional issues of the UB published and enclose herewith my check for payment \$10.00 for UB, Vol. 27, No. 1, 2006. Yes  No
- II. Please remove my name from the Mailing List for Upchurch Publications.  
Yes  No
- III. Please add the following name to the Mailing List for Upchurch Publications.  
Name: \_\_\_\_\_  
Street \_\_\_\_\_  
City \_\_\_\_\_ State \_\_\_\_\_ Zip \_\_\_\_\_
- IV. I wish to submit input on the Extended Upchurch Family or have questions about the family (enclose details).
- V. I wish to order back issues of the UB or ENGLANDIA at \$5.00/issue, post paid (Specify issues desired).
- VI. I wish to provide financial support for Upchurch Research and provide \$ 130.00 herewith. (If as a Memorial state name of person honored).
- VII. Total enclosed \$ 140.00. (Make check payable to: Robert P. Upchurch)  
Mail to: Robert P. Upchurch  
351 Shetland Valley Court Phone: (636) 530-6022  
Chesterfield, MO 63005-4840 E-mail: Soon!!!!

VIII. Your address:  
 Name J. PAUL JOHNSON  
 Address 312 CAHABA RIVER PARK  
 City BIRMINGHAM State AL Zip 35243  
 Phone No. (205) 967-7244 (Optional)

UB P. 4.06  
RFB. 1.06

IX. Comments:

J. PAUL JOHNSON  
 MARY A. JOHNSON  
 312 CAHABA RIVER PARK  
 BIRMINGHAM, AL. 35243

DATE June 6, 2006 8220  
 67-75682613 (BRCH15)

PAY TO THE ORDER OF Robert P. Upchurch \$ 140.00  
One hundred forty and <sup>20</sup>/<sub>100</sub> DOLLARS

Tennessee Valley Downtown

MEMO \_\_\_\_\_

Paul Johnson MP

⑆267375684⑆ 000664880103⑆ 8220

2000 LIBERTY ENTERPRISES, INC.



JAMES PAUL JOHNSON, JR

XJD-7763

4

June 1, 2004

Dear Phil,

I know you want to be informed when a member of our family is recognized for outstanding service to his community. I am therefore sending you this newspaper article about our cousin, Thomas S. Upchurch, son of Joseph Abner U. and grandson of Thomas Homer U., of the Charles/Thomas Gay U. subclan. He is my grandfather's last grandchild. He is congenial, well-liked, and one of my favorite family members. He lives very near Bowdon, Ga. It happens (and I don't believe he realized it until later) that he bought a house with acreage that proved to be the old home place of his gggf, Thomas Gay Upchurch. He was so pleased to find that out. I remember my gf telling me that he lived with his gf during the Civil War. My gf was only five or six years old then, and his father, William Barnes U., was away in the war. He told of how they drove the mules and cows out into the woods when they thought the Yankee soldiers were nearby. One thing I remember he told us. His gf was a cotton farmer and he required every member of the family to help 'gin' the cotton. Evidently, no gin was nearby or they were not operating during the war. Each person in the family would have to fill his shoe with cotton seed hand-picked from the bolls of cotton. The bigger your foot, the more seed you had to pick. That must have been a year long job because it takes about 1,300 pounds of seeded cotton to make a bale, 800 pounds of seed and 500 pounds of cotton.

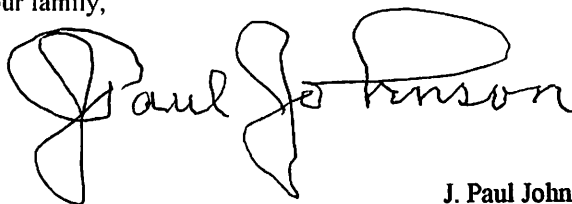
Copied  
for  
people  
of  
Thomas  
S. U.

I thought about your dedication to education, and I know you are interested in other members of the family who have devoted themselves to education, too.

In case you don't have the following information, I'll give you what I have.

- Thomas S. Upchurch, md Patsy Hand
- Son: John Matthew Upchurch, (B. 8-03-1961) md Maria Maker (B. ? )
- Son Matthew (B. 4-16-1990)
- Son Luke (B. 7-10-1992)
- Daughter: Lisa Ann Upchurch

I wishing the best of everything for your family,



J. Paul Johnson  
312 Cahaba River Parc  
Birmingham, AL 35243



REC'D  
13 JUN 2005

6 June 2005

6

FORM TO USE IN COMMUNICATING ABOUT  
THE UPCHURCH PUBLICATIONS

Mr. J. P. Johnson, Jr.  
312 Cahaba Riv Parc  
Birmingham, AL 35243-3258

I. I wish to receive any additional issues of the UB published and enclose herewith my check for payment \$10.00 for UB, Vol. 26, No. 1, 2005. Yes  No

II. Please remove my name from the Mailing List for Upchurch Publications.  
Yes  No

III. Please add the following name to the Mailing List for Upchurch Publications.

Name: \_\_\_\_\_  
Street \_\_\_\_\_  
City \_\_\_\_\_ State \_\_\_\_\_ Zip \_\_\_\_\_

IV. I wish to submit input on the Extended Upchurch Family or have questions about the family (enclose details).

V. I wish to order back issues of the UB or ENGLANDIA at \$5.00/issue, post paid (Specify issues desired).

VI. I wish to provide financial support for Upchurch Research and provide \$ 15.00 herewith. (If as a Memorial state name of person honored).

VII. Total enclosed \$ 25.00. (Make check payable to: Robert P. Upchurch)

Mail to: Robert P. Upchurch  
351 Shetland Valley Court  
Chesterfield, MO 63005-4840

VIII. Your address:

Name J. PAUL JOHNSON  
Address 312 CAHABA RIVER PARK  
City BIRMINGHAM State AL Zip 35243  
Phone No. 205-967-1244 (Optional)

IX. Comments:

J. PAUL JOHNSON  
MARY A. JOHNSON  
312 CAHABA RIVER PARK  
BIRMINGHAM, AL. 35243

DATE June 9, 2005 8002  
67-7568 613 (BRCH15)

PAY TO THE ORDER OF Robert P. Upchurch \$ 25.00

Twenty-five and no/100 DOLLARS

Tennessee Valley  
Downtown

MEMO \_\_\_\_\_

Paul Johnson MP

⑆261375684⑆ 000464880⑆03⑆ 8002

2000 LIBERTY ENTERPRISES, INC.

6-17-05  
UP P. 4, 05  
RF P. 1, 05

ROBERT P. UPCHURCH  
351 Shetland Valley Court  
Chesterfield, MO 63005-4840  
(636) 530-6022



22 DEC 2005

Dear Jay

Thanks for your check and your nice comments which arrived recently. Like you I have an interest in stamps. My son and I started together when he was in elementary school. I was active for a number of years and have a good US collection which I will give to him someday. He has continued to collect!

Recently we assembled our family in N.C. to celebrate my wife's 80th birthday. We gave her a book of memories. Enclosed is a copy of the article "My Wife Remembered" which I prepared for the book. I thought you and Mary might enjoy the nice Gallatin I noted in your home several years ago.

MERRY CHRISTMAS - and may peace, joy and good health be with you in the year ahead.

Sincerely yours  
Phil Upchurch

[ROBERT PHILIP UPCHURCH]

REC'D  
21 DEC 2005

5 December 2005 (9)

FORM TO USE IN COMMUNICATING ABOUT  
THE UPCHURCH PUBLICATIONS

- I. I wish to receive any additional issues of the UB published and enclose herewith my check for payment \$10.00 for UB, Vol. 26, No. 2, 2005. Yes  No
- II. Please remove my name from the Mailing List for Upchurch Publications.  
Yes  No
- III. Please add the following name to the Mailing List for Upchurch Publications.  
Name: \_\_\_\_\_  
Street \_\_\_\_\_  
City \_\_\_\_\_ State \_\_\_\_\_ Zip \_\_\_\_\_
- IV. I wish to submit input on the Extended Upchurch Family or have questions about the family (enclose details).
- V. I wish to order back issues of the UB or ENGLANDIA at \$5.00/issue, post paid (Specify issues desired).
- VI. I wish to provide financial support for Upchurch Research and provide \$ 40.00 herewith. (If as a Memorial state name of person honored).
- VII. Total enclosed \$ 50.00. (Make check payable to: Robert P. Upchurch)  
Mail to: Robert P. Upchurch  
351 Shetland Valley Court  
Chesterfield, MO 63005-4840

VIII. Your address:  
 Name J. PAUL JOHNSON  
 Address 312 CANABA RIVER PARK  
 City BIRMINGHAM State AL Zip 35243  
 Phone No. 205 (205) (Optional)

UBP.4-06  
RFP.1-06

IX. Comments: 9677244

I got the UB Vol 26 No. 2 a couple of days before my 92<sup>nd</sup> birthday. So I'm counting those nice stamps on the envelope as my birthday present. I thank -  
 Collecting stamps is one of my long time hobbies - your bulletin is interesting, too. As ever, Jay



J. PAUL JOHNSON  
MARY A. JOHNSON  
312 CAHABA RIVER PARK  
BIRMINGHAM, AL. 35243

DATE Dec 17, 2005 8115

67-7568/2613 (BRCH15)

PAY TO THE  
ORDER OF

Robert P. Upchurch \$ 50.<sup>00</sup>

Fifty and no/100

DOLLARS 

**Tennessee Valley**  
Downtown

Paul Johnson  MP

MEMO \_\_\_\_\_

**⑆261375684⑆ 000464880103⑆ 8115**

JAMES PAUL JOHNSON, JR

XID- 7763

REC'D  
18 JUN 2007

June 14, 2007

10

J. P. Johnson  
312 Cahaba River Parc  
Birmingham, AL 35243-3258

Dear Phil,

△ I'm sending you a copy of the obituary of Maynard Upchurch, my uncle and the last of my GF TH Upchurch's children to die. He never married. When he could no longer farm, he sold the place and invested in the stock market. He named all living <sup>his</sup> heirs, and nephews in his will. At least 20 persons. We don't know the amount of the estate but being split so many ways it couldn't be much for each of us.

I'm also sending a picture of my cousin, GF. TH. U.'s youngest grandson. He is also named Tom Upchurch. He will administer Maynard's will with the help of his son-in-law John O. Moore who is a lawyer. I'm proud of Tom U. He is an ex teacher, ex dept. of Carrollton G. Sta. schools, ex assistant to the governor of Ga. for state education affairs. He is now retired but still busy helping to get schools going again in New Orleans. I hope you can read this. My writing is going down unsteadily.

copied for  
Bryant &  
Thomas  
S. U.

Sincerely, your distant cousin  
Paul Johnson

TOM UPCHURCH'S ADDRESS,

147 Frances St.

Bowdon, Ga 30108

After he bought this place, he discovered it was on land once owned by his G.G.G.F., Thomas Gay Upchurch.

I went to school at Bowdon College in 1933-1935. T. Gay Upchurch helped to lay out the village of Bowdon in 1853.

Bowdon College was begun in the same decade. It closed after 1936 school year. It was the first college in Georgia to admit women.

TH

\* COPIED FOR BIOFILES OF THOMAS S. U & THOMAS CAY U, SR

REC'D  
18 JUN 2007

5 June 2007 (U)

### FORM FOR PARTICIPATING IN UPCHURCH HISTORY

#### I. Subscription to the UPCHURCH BULLETIN (UB):

The enclosed copy of UB, Vol. 28, No. 1 (January-June 2007) is supplied without a requirement for payment. However, you are requested to chose from the following:

- A. I wish to receive the next issue of the UB published and therefore enclose herewith my check for \$10.00 in payment for the enclosed UB, Vol. 28, No. 1, 2007. Yes  No .
- B. Please remove my name from the mailing list for Upchurch Publications. Yes  No

UB P. 2. 07

#### II. I wish to order selected back issues of the UB or Englandia at \$5.00/issue post paid. Enclose payment and specify issues desired. Payment \$-----. Issues No. -----.

#### III. I wish to provide financial support and provide \$<sup>40.00</sup>----- herewith. (If a Memorial, state name of person honored). Memorial (name) Maynard Parks Upchurch

MF-P. 1. 07

#### IV. I wish to contribute to the Upchurch Endowment at North Carolina State University and enclose \$<sup>50.00</sup>----- \* for this purpose. (This gift is Tax Deductible). Make checks payable to "Friends of the Library". Send a separate check to R. P. Upchurch who will transmit the check to N. C. State or mail directly to: (Designate it is for the Upchurch Endowment).

The Libraries  
North Carolina State University  
Campus Box 7111  
Raleigh, NC 27695-7111

#### V. Recap.

Amount of check made to Robert P. Upchurch to cover Items I, II, III \$<sup>50.00</sup>-----.  
Amount of check made to "Friends of the Library" \$<sup>50.00</sup>-----.  
Your contact information: Name \_\_\_\_\_

FOL (NC)  
P. 1. 07

Address \_\_\_\_\_  
City \_\_\_\_\_ State \_\_\_\_\_ Zip \_\_\_\_\_  
(Phone) \_\_\_\_\_ (optional)  
(E-mail) \_\_\_\_\_ (optional)

\*Any amount will be appreciated. If an individual donates \$500 or more, they will be provided a gift of the book UPCHURCH FAMILY by Belle Lewter West. Belle donated a supply of this book to RPU for a use such as this.

MAIL CHECK TO: ROBERT P. UPCHURCH  
351 Shetland Valley Court  
Chesterfield, MO 63005-4840

(2)

J. PAUL JOHNSON  
MARY A. JOHNSON  
312 CAHABA RIVER PARK  
BIRMINGHAM, AL 35243

8426  
67-7568/2613  
(BRCH15)

June 14, 2007  
DATE

PAY TO THE ORDER OF Robert P. Upchurch \$ 50.00

Fifty and <sup>no</sup>/<sub>100</sub> DOLLARS



Paul Johnson

FOR

⑆261375684⑆ 000464880103⑈ 8426

© LIBERTY

J. PAUL JOHNSON  
MARY A. JOHNSON  
312 CAHABA RIVER PARK  
BIRMINGHAM, AL 35243

8427  
67-7568/2613  
(BRCH15)

June 14, 2007  
DATE

PAY TO THE ORDER OF Friends of the Library \$ 50.00

Fifty and <sup>no</sup>/<sub>100</sub> DOLLARS



Paul Johnson

FOR

⑆261375684⑆ 000464880103⑈ 8427

© LIBERTY



been involved in sending or receiving about 2 dozen <sup>(14)</sup> EMAILS. I can already see that this process is going to provide input that can be used in future issues of the U.B. A whole new world is sort of opening up for me and for Upchurch Research.

Sallyanne and I hope that this finds you and Mary well and enjoying the comfort of a warm home as you look out on these winter days. Fortunately neither you nor me, being retired people, have to go out in the weather. Here in St Louis we had a fairly severe ice/snow storm a week ago. About 350,000 were without power but all have now been restored. Fortunately, we were not affected.

Every time I hear from you I think of Cousin Ralph Upchurch and how much he loved the Upchurch Family. I count it a loss that I never got to meet him.

Have a merry & blessed Christmas

Sincerely yours



Phil Upchurch

JAMES PAUL JOHNSON, JR

XIP-2263

29 November 2006

15

REC'D  
9 DEC 2006

FORM FOR PARTICIPATING IN UPCHURCH HISTORY

J. P. Johnson  
312 Cahaba River Parc  
Birmingham AL 35243

I. Subscription to the UPCHURCH BULLETIN (UB):

The enclosed copy of UB, Vol. 27, No. 2 (July-December 2006) is supplied without a requirement for payment. However, you are requested to chose from the following:

- A. I wish to receive the next issue of the UB published and enclose herewith my check for \$10.00 in payment for UB, Vol. 27, No. 2, 2006. Yes  No .
- B. Please remove my name from the mailing list for Upchurch Publications. Yes  No .

II. I wish to order selected back issues of the UB or Englandia at \$5.00/issue post paid. Enclose payment and specify issues desired.  
Payment \$-----. Issues No. -----.

III. I wish to provide financial support and provide \$50.00 herewith. (If a Memorial, state name of person honored). Memorial (name) \_\_\_\_\_

IV. I wish to contribute to the Upchurch Endowment at North Carolina State University and enclose \$50.00\* for this purpose. (This gift is Tax Deductible). Make checks payable to "Friends of the Library". Send a separate check to R. P. Upchurch who will transmit the check to N. C. State or mail directly to: (Designate it is for the Upchurch Endowment).

The Libraries  
North Carolina State University  
Campus Box 7111  
Raleigh, NC 27695-7111

UB 10.00 P.407  
RF 50.00 P.107  
NC 50.00 P.107

V. Recap.

Amount of check made to Robert P. Upchurch to cover Items I, II, III \$60.00.

Amount of check made to "Friends of the Library" \$50.00.

Your contact information: Name J. PAUL JOHNSON  
Address 312 CAHABA RIVER PARC  
City BIRMINGHAM State AL Zip 35243  
(Phone) 205-967-7244 (optional)  
(E-mail) NONE (optional)

\*Any amount will be appreciated. If an individual donates \$1,000 or more, they will be provided a gift of the book UPCHURCH FAMILY by Belle Lewter West. Belle donated a supply of this book to RPU for a use such as this.



J. PAUL JOHNSON  
MARY A. JOHNSON  
312 CAHABA RIVER PARK  
BIRMINGHAM, AL 35243

8325

67-7568/2613  
(BRCH15)

Dec 6, 2006

DATE

PAY TO THE  
ORDER OF

Robert P. Upchurch

\$ 60.00

Sixty and <sup>20</sup>/<sub>100</sub>

DOLLARS



Security  
Features  
Detailed on  
Back.



FOR

Upchurch Bulletin

Paul Johnson

MP

⑆261375684⑆ 000464880103⑈ 8325

© LIBERTY

J. PAUL JOHNSON  
MARY A. JOHNSON  
312 CAHABA RIVER PARK  
BIRMINGHAM, AL 35243

8326

67-7568/2613  
(BRCH15)

Dec 6, 2006

DATE

PAY TO THE  
ORDER OF

Friends of the Library

\$ 50.00

Fifty and <sup>no</sup>/<sub>100</sub>

DOLLARS



Security  
Features  
Detailed on  
Back.



FOR

Upchurch Endowment

Paul Johnson

MP

⑆261375684⑆ 000464880103⑈ 8326

© LIBERTY



be helpful.

Your comments on Thomas S. Upchurch "Tom" along with the picture you sent have been made a part of his Biograph. He is a great guy and someone of whom the family can be proud. I have never learned what the "S" in his name stands for. Perhaps you know.

It is most interesting that Tom's land purchase is land that belonged to Thomas Gay U, Sr - a real coincidence. Incidentally, you may note from the latest UB that I have renewed an in depth study of that part of Franklin Co, NC where Thomas Gay U, Sr was born, grew to adulthood and married. As this continues it is quite likely that more details will be uncovered about Thomas Gay U, Sr and his close relatives who lived in Franklin Co, NC.

Our best to you & Mary.

Sincerely yours,

(L.)

Phil Upchurch

{ROBERT PHILIP UPCHURCH}

JAMES PAUL JOHNSON, JR

XID-7763

[NOTE: Per Jay's letter of 10 December 2007  
6 JUL 2007 he now lives with his DAD

J. PAUL JOHNSON  
MARY A. JOHNSON  
312 CAHABA RIVER PARK  
BIRMINGHAM, AL 35243

SUE MADARAS (nee Mary Sue Johnson -  
ADOPTED) - listed to credit below as  
R.S. JOHNSON PROB 12-16-07  
SON ROBERT SMITH JOHNSON - NYU] DATE

8470  
67-7568/2613  
(BRCH15)

REC'D  
19 DEC 2007

I. Subscrip

The ( requirement

(NOT An in

PAY TO THE ORDER OF

Robert P. Upchurch

\$ 50.00

Fifty and no

DOLLARS



US 10.00

US P. 3.09

II. I wish to Enclose Payment

FOR

261375684 000464880103 8470

© LIBERTY

III. I wish to provide financial support and provide \$45.00 herewith. (If a Memorial, state name of person honored). Memorial (name) MARY AUGE JOHNSON (my wife)

IV. I wish to contribute to the Upchurch Endowment at North Carolina State University and enclose \$30.00 \* for this purpose. (This gift is Tax Deductible). Make checks payable to "Friends of the Library". Send a separate check to R. P. Upchurch who will transmit the check to N. C. State or mail directly to: (Designate it is for the Upchurch Endowment).

The Libraries  
North Carolina State University  
Campus Box 7111  
Raleigh, NC 27695-7111

Jay Johnson  
1084 Long Branch Pkwy  
Calera, AL 35040

V. Recap.

Amount of check made to Robert P. Upchurch to cover Items I, II, III \$50.00.

Amount of check made to "Friends of the Library" \$30.00.

Your contact information: Name \_\_\_\_\_  
Address \_\_\_\_\_  
City \_\_\_\_\_ State \_\_\_\_\_ Zip \_\_\_\_\_  
(Phone) \_\_\_\_\_ (optional)  
(E-mail) \_\_\_\_\_ (optional)

be p  
a suj

J. PAUL JOHNSON  
MARY A. JOHNSON  
312 CAHABA RIVER PARK  
BIRMINGHAM, AL 35243

8471  
67-7568/2613  
(BRCH15)

12-16-07 DATE

PAY TO THE ORDER OF

Friends of the Library

\$ 50.00

Fifty and no

DOLLARS



ill  
d  
FOL  
8.1.08

FOR

261375684 000464880103 8471

© LIBERTY

JAMES PAUL JOHNSON, JR

XED-7763

ROBERT P. UPCHURCH  
351 Shetland Valley Court  
Chesterfield, MO 63005-4840

(1)

Phone: (636) 530-6022 E-mail: phil@upchurchstory.com



21 DEC 2007

J. PAUL JOHNSON  
1084 LONG BRANCH PKWY  
CALENA, AL 35040

Dear Cousin Jay,

Thank you for your two generous checks in support of Upchurch Research which arrived in the mail on the 19th. The Memorial in honor of your dear wife, Mary, will appear in the next Upchurch Bulletin which will appear next spring. Let us look forward to that. It is most appropriate that Mary be honored.

Next week I will send your check made to the Friends of the Library at N. C. State University to be deposited in the Endowment to support the Upchurch Collection. It will go with checks from others who have made a similar contribution. I will send my personal check matching all who have contributed. Hopefully we will soon be at \$40,000. We are close.

Establishing the Upchurch Collection at N. C. State University is unique in Upchurch history. Nothing like this has ever been done before. Now we just need to add more documents & objects and use the Internet to spread the word.

2-

We are doing a good job of getting things <sup>(2)</sup>  
cleared up here at the end of the year. We  
fly to Florida on 1 JAN 08 to spend a month  
in the sun. I had hoped to drive and to  
drop by and say hello to you but my  
wife said we should fly - so fly we will.

We trust you will have an enjoyable  
Christmas and that you will keep warm  
over the winter months and anticipate the  
newness that will come later as the  
leaves and flowers appear to announce  
yet another season. We treat both new  
season as a gift.

With Appreciation and All Best Wishes

Sincerely yours

Phil Gylmund



JAMES PAUL JOHNSON, JR

XJD-7763

ROBERT P. UPCHURCH  
351 Shetland Valley Court  
Chesterfield, MO 63005-4840

①

Phone: (636) 530-6022 E-mail: phil@upchurchstory.com



25 OCT 2007

J. PAUL JOHNSON  
1084 LONG BRANCH PKWY  
CALERA, AL 35040

SSN  
NOTE NEW ADDRESS

BY 25 OCT 2007

OK Done  
SSN

Dear Cousin Jay,

Your letter of 9 OCT 2007 was waiting for me when I returned home on 23 OCT from a 15-day family history trip to North Carolina. Sallaine stayed at home this time.

I was so sorry to learn that Mary passed away, and I can certainly understand that you miss her very much. The pain of her loss may lessen with time but it will never go away completely. I hope you will cherish your thoughts of the many good years you had together. May she Rest in Peace.

Thanks for sending me your new address. It sounds as if you have a good set-up. Your lower level apartment with access to a quite outside rural setting sounds inviting. It is really nice that you are with family. Not everyone is so lucky.

The trip to NC was very productive. I made three trips to Franklin County, NC where the brothers Charles Upchurch (your ancestor) and Nathan Upchurch (my ancestor) grew up and married. I am getting ever closer to learning the exact location of the tracts of land owned by our ancestors in Danvers Township in Southern Franklin County, NC

It would be great to drop by to see you. We will be spending the months of January in Florida. If we drive we could come by to say hello. However, Sallaine is now telling me that she much prefers to fly so I will likely yield to her wishes.. We will put a visit to you on our "to do" list.

In the near future I must attend to writing an issue of the Upchurch Bulletin. I'll have your copy in the mail in mid to late November.

With Fond memories and All Best Wishes!



Sincerely yours  
Phil Upchurch

(ROBERT PHILLIP UPCHURCH)





Another reason for the profile on Thomas Benjamin U, I is to lay on the accomplishments of his GGGson Thomas Benjamin U, III - (see his obituary on Page 3). He was truly an outstanding Upshur. Note from the bottom of Page 3 that T. B. U, II was named not for his father (William P. U) but for his grand father F. B. U, I.

Your ancestor Thomas Gay U, Sr had a first Cousin Brittan U, I who moved from Franklin Co, NC about 1830 to Guinnett Co, GA. Some of the Descendants of Brittan U, I later moved to Campbell Co, GA & Coweta Co, GA. There were some ~~traces~~ traces remaining and somehow T. B. U. II in 1920 was found in Brooklyn, NY where his son T. B. U, III was born in 1922. This T. B. U, III is the one covered in the obituary. It took me about 3 hours to figure this out.

Jay - there is probably more than you want to follow in detail. I just wanted you to know I am still faithfully preserving the memory of people like Thomas Homer U and Ralph U - wonderful people.

Sincerely yours



Phil Upshur

July 6, 2007

REC'D 18JUL2007

Dear Cousin Paul,

I have given away most of my family records. I gave my Upchurch Bulletins to Tom S. Upchurch, (I think the S. stands for Stanley) I am going to send you copies of the notes made by Aunt Evie (J. Shields U.'s wife) about the yearly reunions of G.F. Tom Upchurch. I feel they will be safer with you than with me. My children (all adopted) don't seem to be interested in family history. I read through the accounts of the reunions and found some names of possible pall bearers at Maynard's funeral. I made a diagram showing that they have been ~~known~~ Larsen, Felix, and William U. They were the sons of my mother's first cousin John W. U. Larsen and Horace were older than I am. Horace is dead and probably Larsen. Please don't put a lot of confidence in my reasoning.

We have had luck at our home. My wife, Mary fell and broke her hip (or broke her hip and fell) about 10 days ago. She has had it repaired but she's not through therapy. She must be able to hobble with a walker before she can come home. Otherwise, we'd head for assisted living.

The reunion notes are rather bulky, so I'd sent them separately.

Did I tell you I have congested heart failure and have been under hospice care for over a year. I'm not suffering but am very weak.

Maynard and Horace U. were close. Of the going fishing together, which is why I thought the pall bearers might have in that family.

I appreciate the time and money you put in  
our family's history. There are additions to  
my own family but I don't have the energy  
to do it.

Sincerely, Paul Johnson

JAMES PAUL JOHNSON, JR

① XFD-7763

Oct 9, 2007

REC 17  
12 OCT 2007

Dear Phil,

I thank you for your letter of 10-2-07 and the file on the file on Thomas Benjamin J.T.  
It is always good to hear from you.

I want to tell you that I have a new address. My wife, Mary, died August 2 and I didn't need a big apartment, so I moved into a new house with my daughter, Sue and her husband, Richard Madaris. I now live in a rural setting. It's a new house my son built and was having no luck in selling. Sue and Richard live in the main part of the house and I have a 3-room apartment in the basement. I like it because it is easy for me to get out of the house in my wheelchair. It's quite dark at night with no noisy traffic.

My new address is:

1084 Long Branch Pkwy.  
Cahera, AL 35040

It's about 35 miles from Birmingham, and not much farther to Ashland, AL where my G.G. Grandfather lived and died.

My wife fell and broke her hip back in the Spring. Although the surgery was successful, she never gained enough

(12)

confidence to walk again. She came home from the hospital and stayed in bed for about six weeks before she died. I miss her very much. She was ninety years old, she is buried in Oak Hill Cemetery in Cartersville, Georgia. There is a place for me in the same cemetery. A lot of her family (Smiths) are buried there.

If you ever come this way, I hope you will stop by.

As always,

Paul Johnson

THE

FAMILY

OF

THOMAS HOMER UPCHURCH

(9-14-1995)

FANNIE AILENE UPCHURCH

(b. 8-22-1883)  
(d. 8-04-1910)

M. WILLIAM THOMAS CARPENTER

(b. 1-13-1877)  
(d. -1930)

MARY CARPENTER

ROBERT MERRILL CARPENTER

HOMER E. UPCHURCH

(b. 11-09-1885)  
(d. 11-08-1957)

M. UNA CLAYTON DIGBY

(b. 6-14-1891)  
(d. 3-20-1986)

HAROLD EDWARD UPCHURCH

WAYNE UPCHURCH

CHRISTINE UPCHURCH

DONALD REX UPCHURCH

HIRAM STANFORD UPCHURCH

ROSA MAY UPCHURCH

(b. 7-08-1891)  
(d. 6-28-1978)

m. JAMES PAUL JOHNSON

(b. 11-14-1889)  
(d. 10-05-1950)

BONNILYN PAUL JOHNSON

CARRIE HELEN JOHNSON

JAMES PAUL JOHNSON

BOBBY RUTH JOHNSON

MARGARET ANNE JOHNSON

THOMAS HOMER UPCHURCH

(b. 10-08-1859)  
(d. 8-29-1947)

m. CARRIE ELIZABETH THURMAN

(b. 3-18-1865)  
(d. 4-01-1908)

CHARLES LLOYD UPCHURCH

(b. 2-25-1894)  
(d. 4-08-1962)

m. MAE BELLE ASHMORE

(b. 9-03-1894)  
(d. 4-27-1995)

WILLIAM JAMES UPCHURCH

THOMAS GLENN UPCHURCH

CHARLES RAY UPCHURCH

LAKE CLINTON UPCHURCH

MARY ELSIE UPCHURCH

JOHN SHIELDS UPCHURCH

(b. 7-26-1896)  
(d. 10-14-1980)

m. EVIE JOHNSON

(b. 7-28-1896)  
(d. 6-23-1953)

m. JEWEL HASKINS

(b. )  
(d. 4-28-1978)

JAMES SHIELDS UPCHURCH

m. NANCY HEARN

(b. 4-16-1873)  
(d. 5-16-1910)

WILLIAM JAMES UPCHURCH

(b. 2-04-1899)  
(d. 5-02-1908)

THOMAS RALPH UPCHURCH

(b. 5-01-1902)  
(d. 1-28-1995)

m. MYRTLE FLETCHER

(b. 5-13-1904)  
(d. 9-23-2001)

REYNOLDS HYATT UPCHURCH

BUNNY CLOIS UPCHURCH

TOMMIE CAROLYN UPCHURCH

DORIS LYNETTE UPCHURCH

m. BEULAH JETER

(b. 5-04-1878)  
(d. 12-25-1962)

JOSEPH ABNER UPCHURCH

(b. 3-09-1910)  
(d. 3-11-1995)

m. WILLA MARLOW

(b. 11-15-1914)  
(d. 2-04-2000)

BARBARA ANN UPCHURCH

THOMAS S. UPCHURCH

MAYNARD PARKS UPCHURCH

(b. 1-29-1914)  
(d. 4-08-2007)

DAN STANLEY UPCHURCH

(b. 8-27-1915)  
(d. 9-09-1937)



MARY CARPENTER  
 (b. 4-24-1902)  
 (d. 10-13-1962)

m. ROBERT ELAM GUILLEBEAU  
 (b. 1-24-1900)  
 (d. 3-06-1970)

BARBARA JEAN GILLEBEAU  
 MARY ANNE GILLEBEAU

FANNIE AILENE UPCHURCH  
 (b. 8-22-1883)  
 (d. 8-04-1910)

m. WILLIAM THOMAS CARPENTER  
 (b. 1-13-1877)  
 (d. -1930)

ROBERT MERRILL CARPENTER  
 (b. 2-18-1907)  
 (d. 5-18-1994)

m. ETHEL RICE  
 (b. 12-1908)  
 (d. 9-03-1981)

BARBARA JEAN GILLEBEAU

(b. 8-22-1927)

m. WILTON CLIFFORD McGAHEE

(b. 9-22-1926)

JAMES MARK McGAHEE

ROBERT CLIFFORD McGAHEE

WILLIAM JOSEPH McGAHEE

MARY CARPENTER

(b. 4-24-1902)

(d. 10-13-1962)

m. ROBERT ELAM GILLEBEAU

(b. 1-24-1900)

(d. 3-06-1970)

MARY ANNE GILLEBEAU

(b. 9-24-1930)

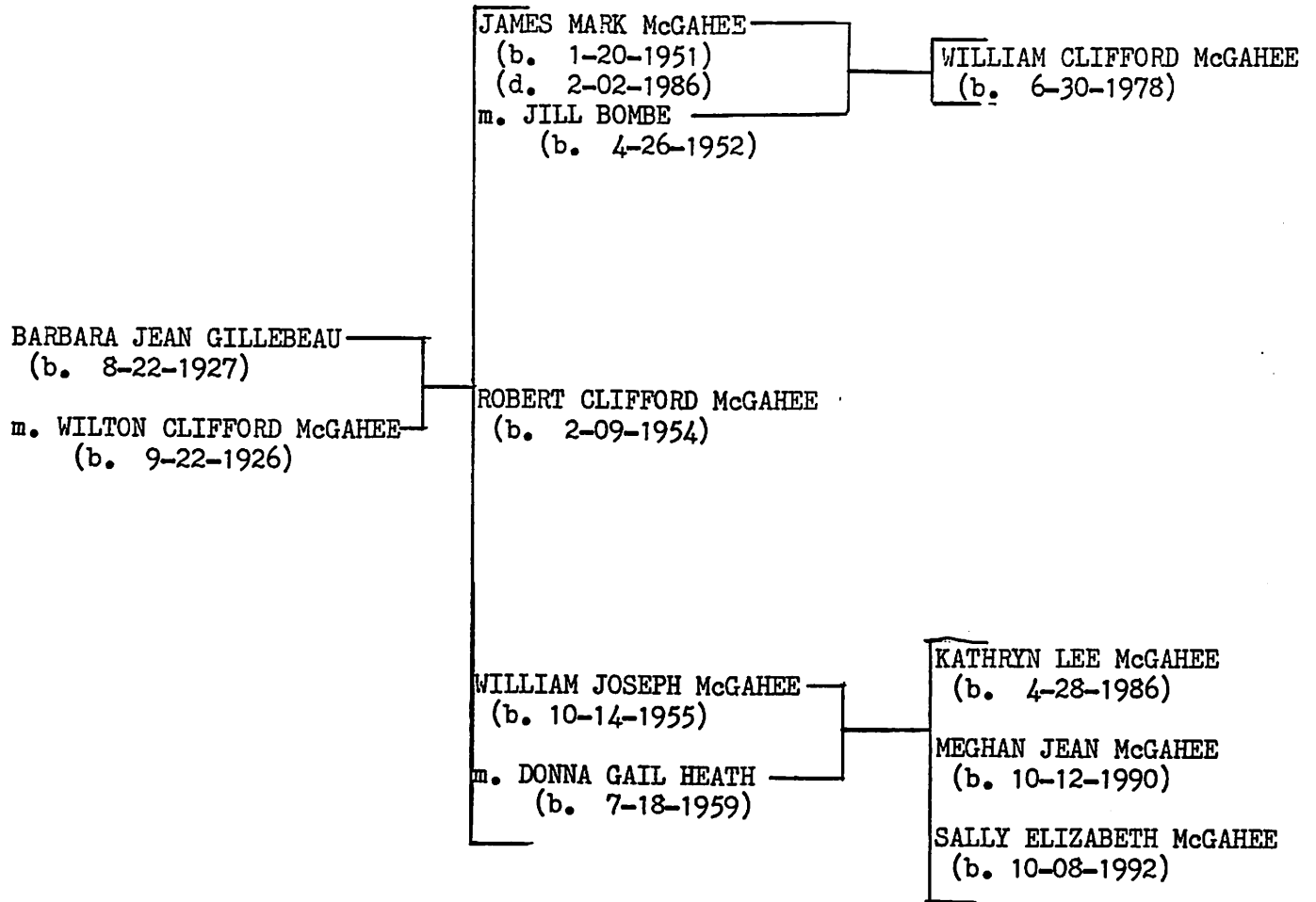
m. THOMAS EDWIN CARTER

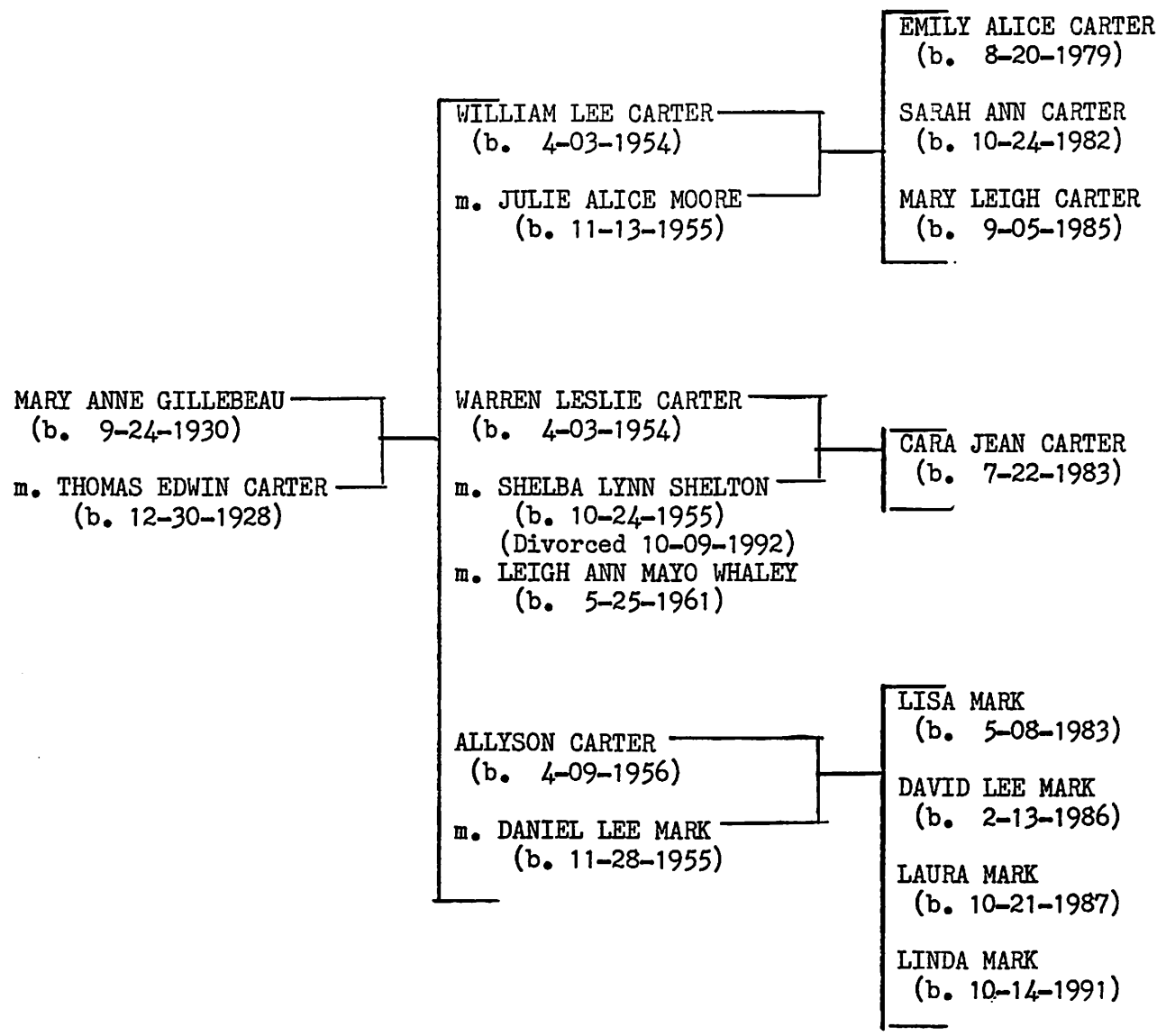
(b. 12-30-1928)

WILLIAM LEE CARTER

WARREN LESLIE CARTER

ALLYSON CARTER





(EDWIN)  
 HOMER E. UPCHURCH  
 (b. 11-09-1885)  
 (d. 11-08-1957)  
 m. UNA CLAYTON DIGBY  
 (b. 6-14-1891)  
 (d. 3-20-1986)

HAROLD EDWARD UPCHURCH  
 (b. 9-24-1909)  
 (d. 8-28-1969)  
 m. CHRISTINE WINDOM  
 (b. 7-17-1914)

WAYNE UPCHURCH  
 (b. 1-10-1913)  
 (d. 7-26-1994)  
 m. EDNA ODEL HERRINGTON  
 (b. 4-07-1914)  
 (d. 12-27-2000)

BONNIE LEE UPCHURCH  
 WAYNE GRADY UPCHURCH

CHRISTINE UPCHURCH  
 (b. 5-27-1916)  
 (d. 2-12-1999)  
 m. GEORGE MAJKA  
 (b. 4-18-1917)  
 (d. 3-06-1987)

DONALD REX UPCHURCH  
 (b. 8-14-1920)  
 m. ESTELLE KEY  
 (b. 6-11-1921)

RONALD MURRY UPCHURCH

HIRAM STANFORD UPCHURCH  
 (b. 2-11-1925)  
 (d. 12-27-2004)  
 m. ANN HILLMAN  
 (b. 7-26-1920)

PERRY DIGBY UPCHURCH  
 KATHRN ANN UPCHURCH  
 HIRAM STANFORD UPCHURCH, JR.

MT KINLEY NEAL MOSGROVE  
(b. 3-22-1999)

KELLIE LEIGH KILGORE  
(b. 5-13-1969)  
m. JOHN BRADEN MOSGROVE  
(b. 4-12-1977)

MARINA NICOLE MOSGROVE  
(b. 11-12-2000)

BONNIE LEE UPCHURCH  
(b. 6-18-1941)  
m. TERRY R. KILGORE, SR.  
(b. 2-09-1939)

KELLIE LEIGH UPCHURCH  
(b. 5-13-1969)  
TERRY R. KILGORE, JR.  
(b. 10-05-1970)

WAYNE GRADY UPCHURCH, SR.  
(b. 1-10-1913)  
(d. 7-26-1994)  
m. EDNA ODEL HERRINGTON  
(b. 4-07-1914)

TERRY RANDALL KILGORE, JR.  
(b. 10-05-1970)  
m. SHANNON LEIGH FOND  
(b. 1-11-1971)

JACK BRADY KILGORE  
(b. 9-21-2004)

WAYNE GRADY UPCHURCH, JR.  
(b. 8-05-1943)  
m. CARLA EDMUNDS  
(b. 7-25-1949)

WAYNE GRADY UPCHURCH, III  
(b. 4-27-1971)

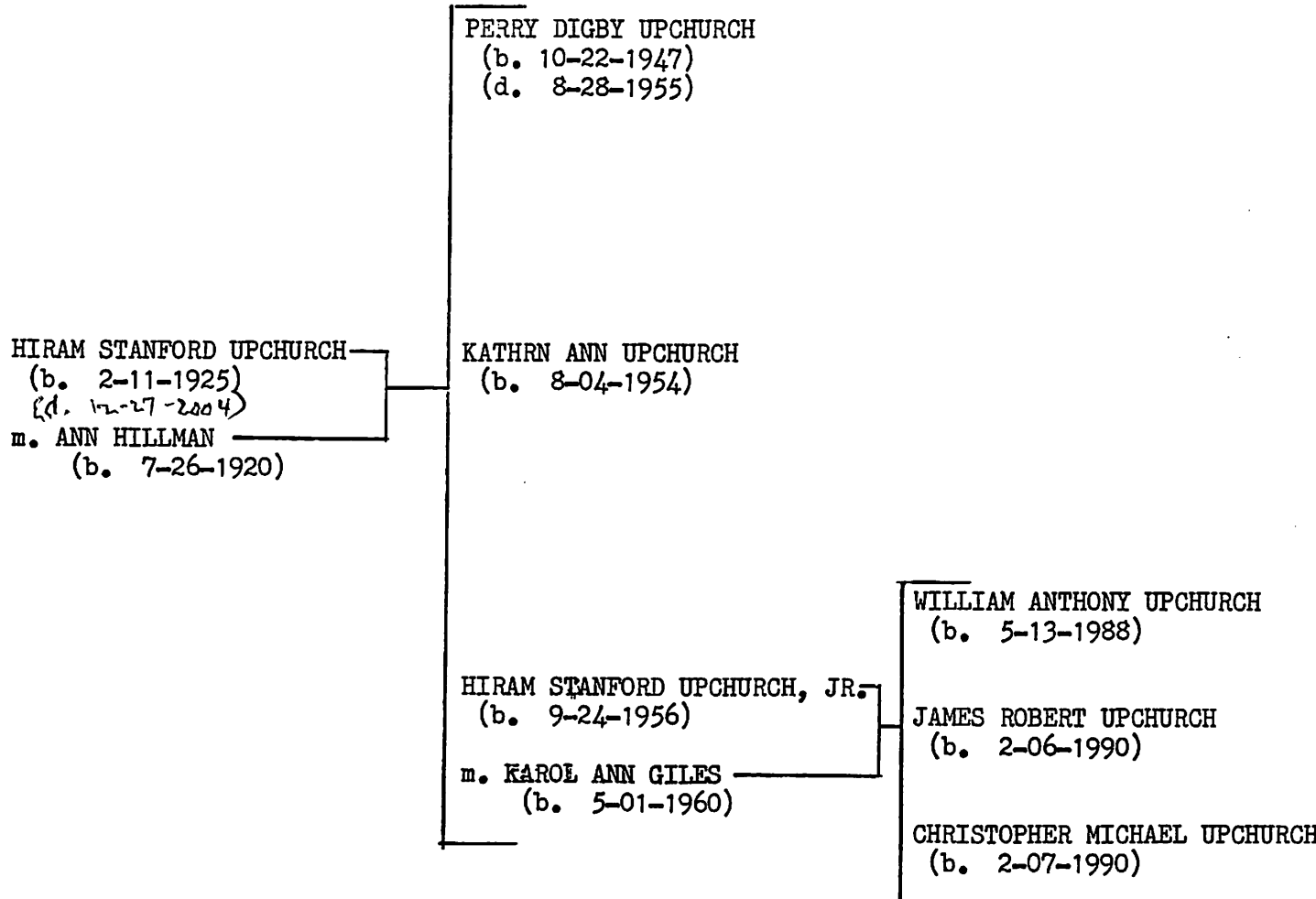
DONALD REX UPCHURCH  
(b. 8-14-1920)  
m. ESTELLE KEY  
(b. 6-11-1921)

RONALD MURRY UPCHURCH  
(b. 5-05-1946)  
m. SHARON DODD  
(b. 2-25-1952)

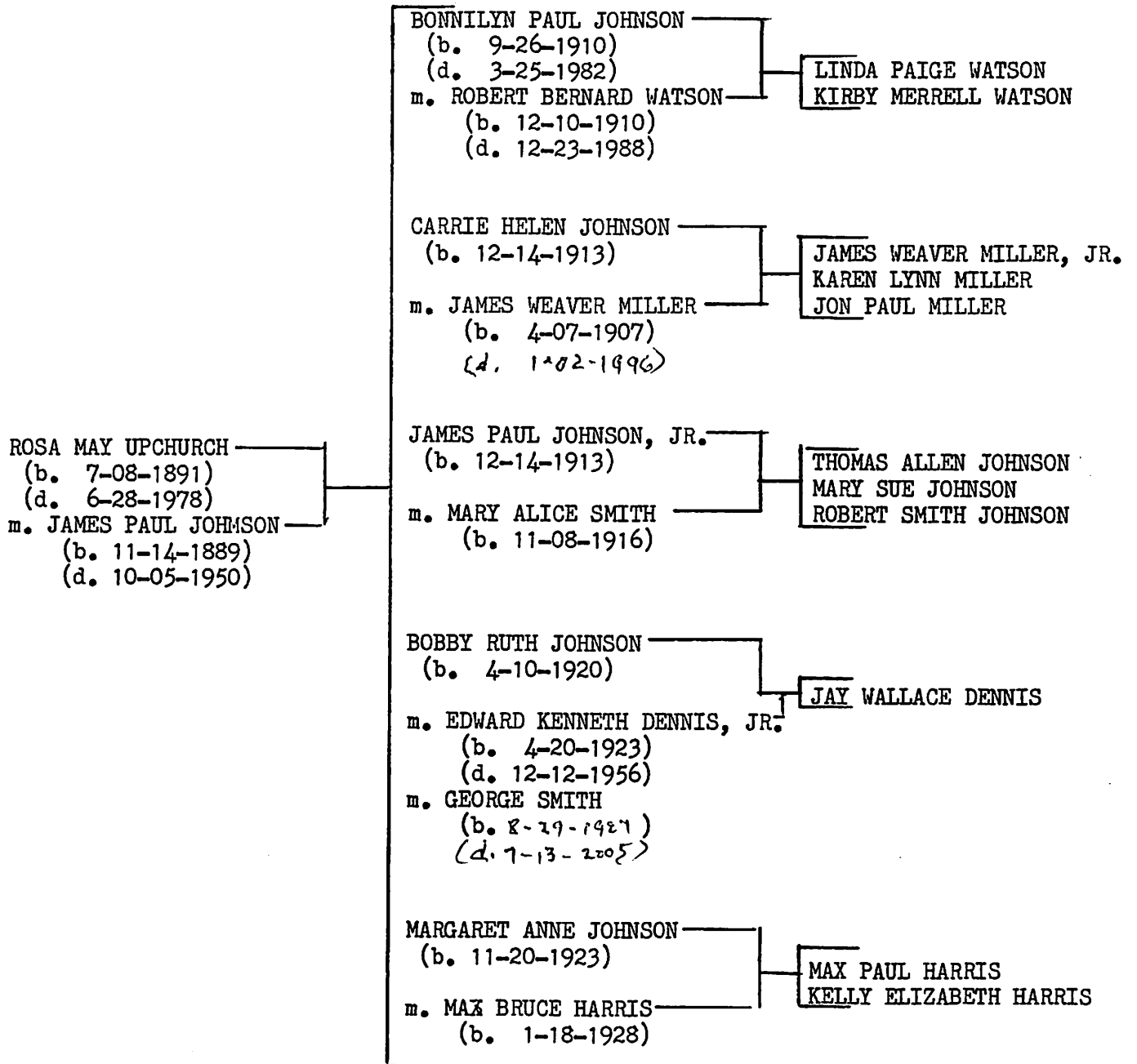
TODD HUNTER UPCHURCH  
(b. 1-07-1971)

MICHAEL CAMERON UPCHURCH  
(b. 4-27-1980)

CHRISTOPHER RYAN UPCHURCH  
(b. 3-17-1984)







LINDA PAIGE WATSON  
(b. 7-16-1939)

m. CARSON NEWMAN CAIRNES  
(b. 1-06-1939)

LINDA KIM CAIRNES  
KENNETH ALLAN CAIRNES  
MICHAEL KEITH CAIRNES

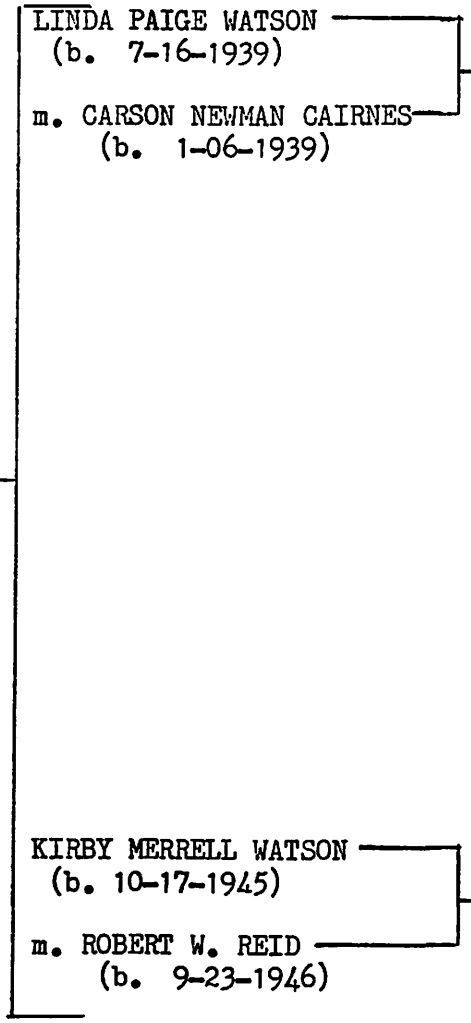
BONNILYN PAUL JOHNSON  
(b. 9-26-1910)  
(d. 3-25-1982)

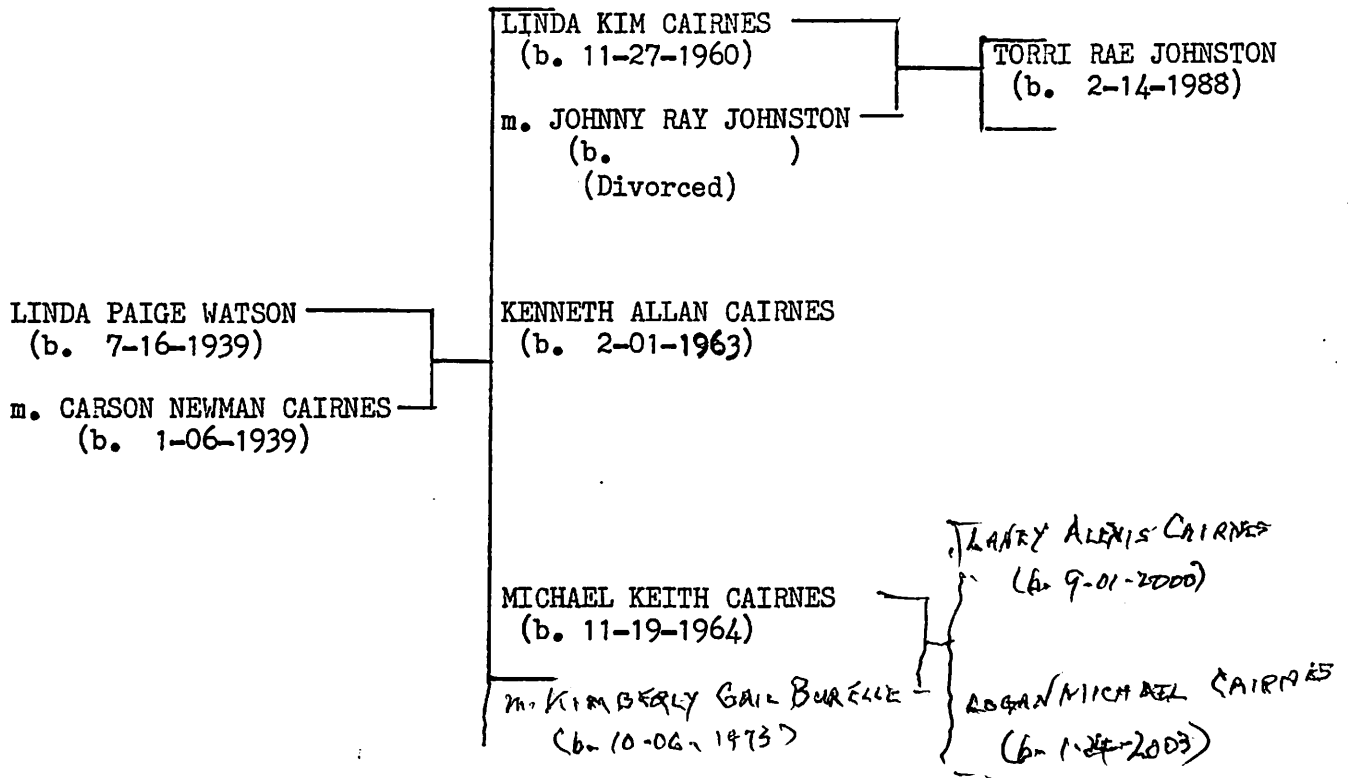
m. ROBERT BERNARD WATSON  
(b. 12-10-1910)  
(d. 12-23-1988)

KIRBY MERRELL WATSON  
(b. 10-17-1945)

m. ROBERT W. REID  
(b. 9-23-1946)

STEPHANIE NICOLE REID  
NATHAN ROBERT REID  
ASHLEY RENEE REID





STEPHANIE NICOLE REID  
(b. 12-10-1972)

KIRBY MERRELL WATSON  
(b. 10-17-1945)

m. ROBERT W. REID  
(b. 9-23-1946)

NATHAN ROBERT REID  
(b. 4-17-1974)

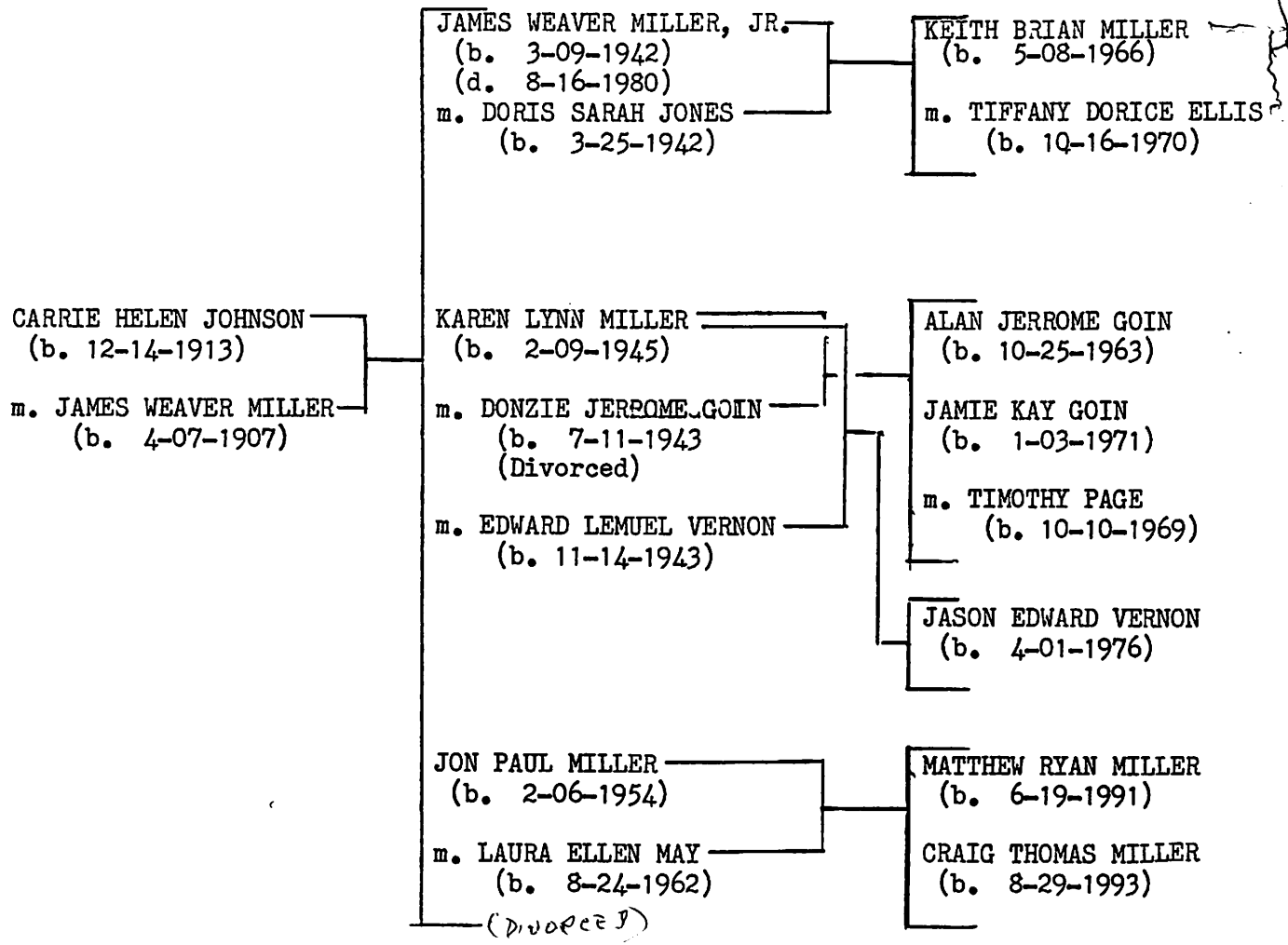
m. JORDAN LLEWELAN WATKINS  
(b. 4-29-1974)  
(d. 2005)

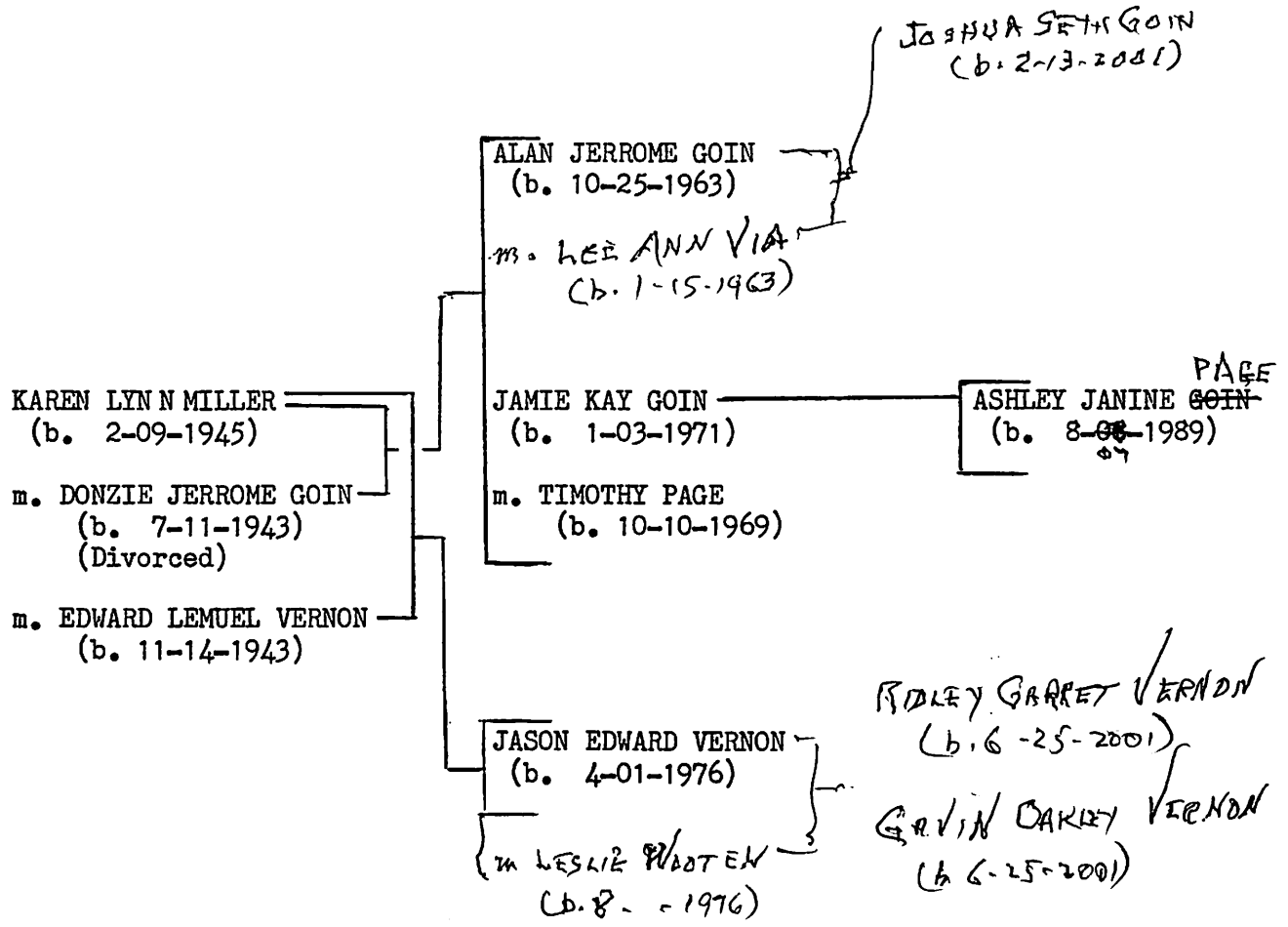
ASHLEY RENEE REID  
(b. 2-20-1979)

m. HUGH PATRICK STODGEHILL  
(b. 12-25-1977)

OLIVIA GREER MILLER  
(b. 8-02-98)

ALEX REID MILLER  
(b. 11-01-2001)





THOMAS ALLEN JOHNSON  
 (b. 1-02-1945)  
 (d. 7-07-1987)  
 m. BRENDA HEAD (Divorced)  
 m. BOBBY STAPLES (Divorced)  
 m. BETTY MANOR (Divorced)  
 m. CAROL ALLEN (Divorced)  
 m. KATHY NORRIS (Divorced)  
 m. BONNIE CRAWFORD (Divorced)  
 m. JACQUELINE FAIR (Divorced)  
 m. CYNTHIA A. GOOGE (b. 12-16-1949)

BRIAN KEITH JOHNSON  
 (b. 10-27-1965)  
~~TERESA FOWLER~~  
~~TERRE LYNN MAYNOR~~  
 (b. 1-22-1970)  
 m. WALTER PETIT (Divorced)  
 m. ONIE ELMER BOYLE (DIV.)  
 JOHN PAUL MAYNOR  
 (b. 3-16-1971)  
 m. JENNY ALFORD  
 (b. 1-7-1974)  
 J' PAUL JOHNSON  
 (b. 2-16-1985)

TERESA LYNN FOWLER  
 ONIE ELMER BOYLE  
 (b. 10-25-1955)  
 (Divorced)  
 CODY ONIE JOSEPH BOYLE  
 (b. 11-28-2002)

JAMES PAUL JOHNSON, JR.  
 (b. 12-14-1913)  
 m. MARY ALICE SMITH  
 (b. 11-08-1916)

MARY SUE JOHNSON  
 (b. 2-15-1948)  
 m. EDWARD ROBERTS (Divorced)  
 m. ROBERT MERLE REYNOLDS  
 (b. 10-06-1938)  
 (Divorced)  
 m. RICHARD MADARIS  
 (b. 1-15-1953)  
 m. GERALD HARRIS ELLIOTT  
 (b. 12-31-1953)  
 (Divorced)  
 m. RICHARD MADARIS  
 (b. 1-15-1953)

LAURIE ALEECE REYNOLDS  
 (b. 11-28-1970)  
 m. BRADLEY CHRISTOPHER CAMP  
 (b. 4-05-1973)  
 DIVORCED  
 BRYAN PAUL REYNOLDS  
 (b. 4-01-1974)  
 m. DAWN WHITEWORTH  
 (b. 7-02-1985)

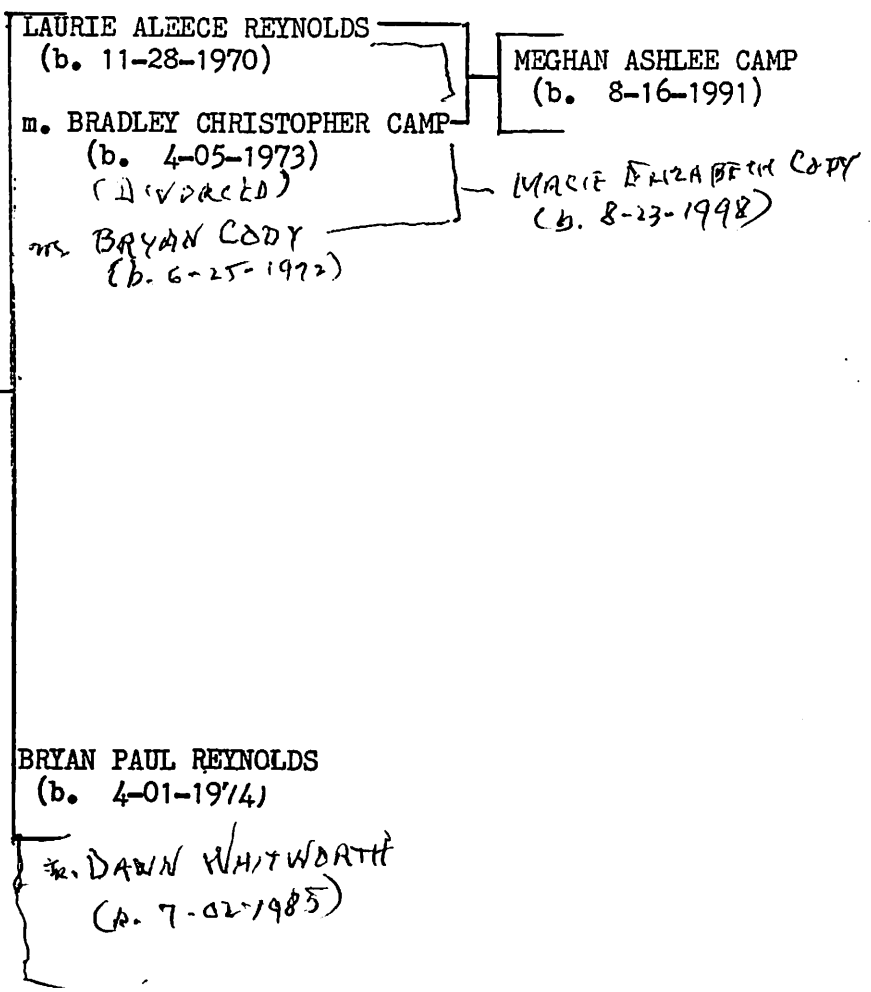
\* He changed his name

ROBERT SMITH JOHNSON  
 (b. 12-04-1950)  
 m. BRENDA CAROL ISBELL  
 (b. 7-07-1950)

JOEL SCOTT JOHNSON  
 (b. 2-06-1975)  
 m. TERI SHANNON ISBELL  
 (b. )

ROBERT SCOTT JOHNSON  
 (b. 9-2-2002)  
 GEORJAN  
 ISABELLA JOHNSON  
 (b. 12-28-2006)  
 Isabella Georgian Johnson

xx



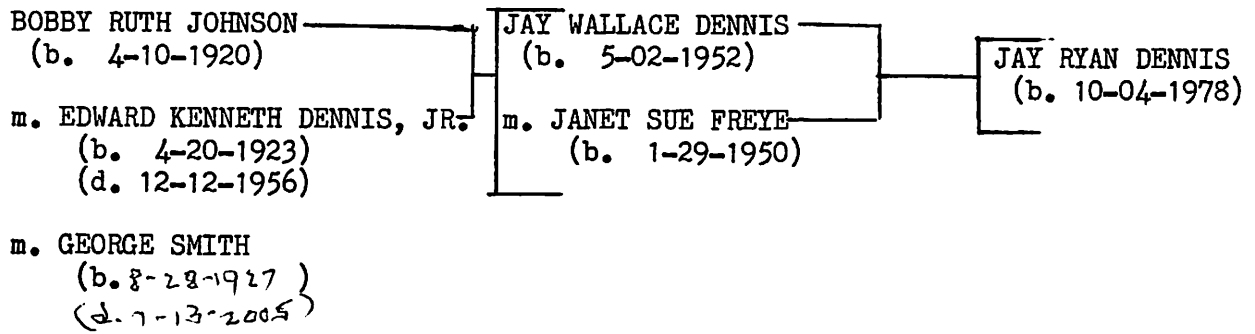
MARY SUE JOHNSON  
(b. 2-15-1948)

m. ROBERT MERLE REYNOLDS  
(b. 10-06-1938)  
(Divorced)

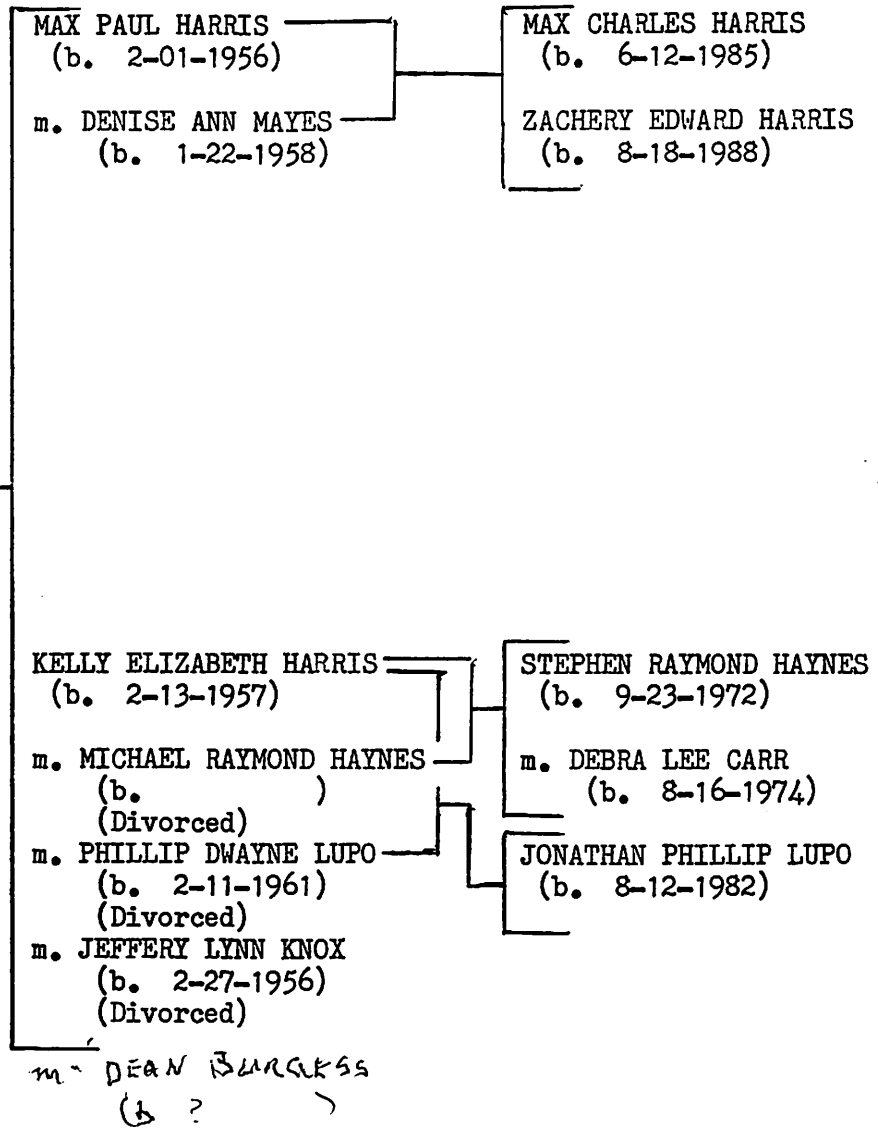
BRYAN PAUL REYNOLDS  
(b. 4-01-1974)

ms. DAWN WHITWORTH  
(b. 7-02-1985)





MARGARET ANNE JOHNSON  
 (b. 11-20-1923)  
 m. MAX BRUCE HARRIS  
 (b. 1-18-1928)  
 (Divorced)



KELLY ELIZABETH HARRIS  
(b. 2-13-1957)

m. MICHAEL RAYMOND HAYNES  
(b. )  
(Divorced)

STEPHEN RAYMOND HAYNES  
(b. 9-23-1972)

m. DEBRA LEE CARR  
(b. 8-16-1974)

BRITTANY NICOLE HAYNES  
(b. 7-29-1992)

KATELYN HAYNES  
Th. }

WILLIAM JAMES UPCHURCH  
(b. 7-11-1913)  
(d. 7-28-2002)  
m. GERALDINE EASON  
(b. 10-27-1927)

CAROL FRANCES UPCHURCH  
JAMES RAY UPCHURCH  
LARRY DEAN UPCHURCH

THOMAS GLENN UPCHURCH  
(b. 9-16-1916)  
(d. 5-01-1997)  
m. CATHY MOON  
(Divorced)  
m. MARGARET CHRISTINE HINSLEY  
(b. 11-30-1926)

CHARLES ROBERT UPCHURCH

CHARLES LLOYD UPCHURCH  
(b. 2-25-1894)  
(d. 4-08-1962)  
m. MAE BELLE ASHMORE  
(b. 9-03-1894)  
(d. 4-27-1995)

CHARLES RAY UPCHURCH  
(b. 7-16-1921)  
(d. 12-14-1927)

LAKE CLANTON UPCHURCH  
(b. 10-08-1923)  
m. FRANCES HARRIS  
(b. 7-25-1925)  
(d. 4- -1995)

VICKI LANE UPCHURCH  
PATTI UPCHURCH

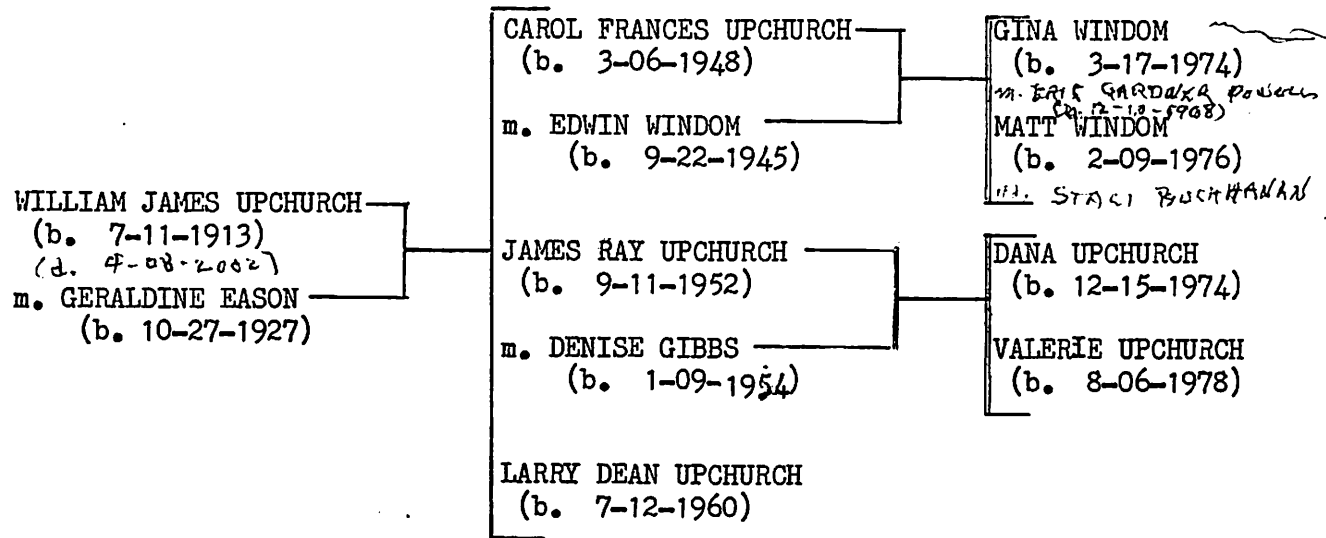
MARY ELSIE UPCHURCH  
(b. 11-01-1926)  
m. COHEN CHARLES JACKSON  
(b. 3-16-1925)

NANCY MARIE JACKSON  
SANDRA ANN JACKSON  
PEGGY JACKSON

CARTER WINDOM POWELL  
 (b. 9-22-2002)

EMILY

NATHAN



THOMAS GLENN UPCHURCH

(b. 9-16-1916)  
(d. 5-21-1997)

m. CATHY MOON  
(Divorced)

m. MARGARET CHRISTINE HINESLEY  
(b. 11-30-1926)

CHARLES ROBERT UPCHURCH

(b. 7-19-1941)

m. SHIRLEY ROBINSON  
(b. 5-29-1943)

CATHERINE MICHELLE UPCHURCH

(b. 12-14-1966)

m LEE JORGENSEN  
(b. 6-29-1966)

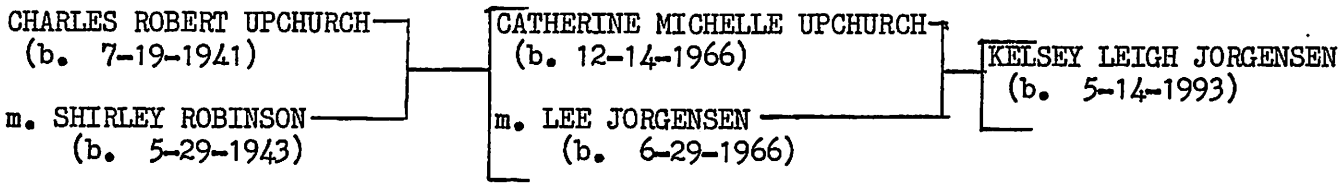
CHARLES ROBERT UPCHURCH  
(b. 7-19-1941)

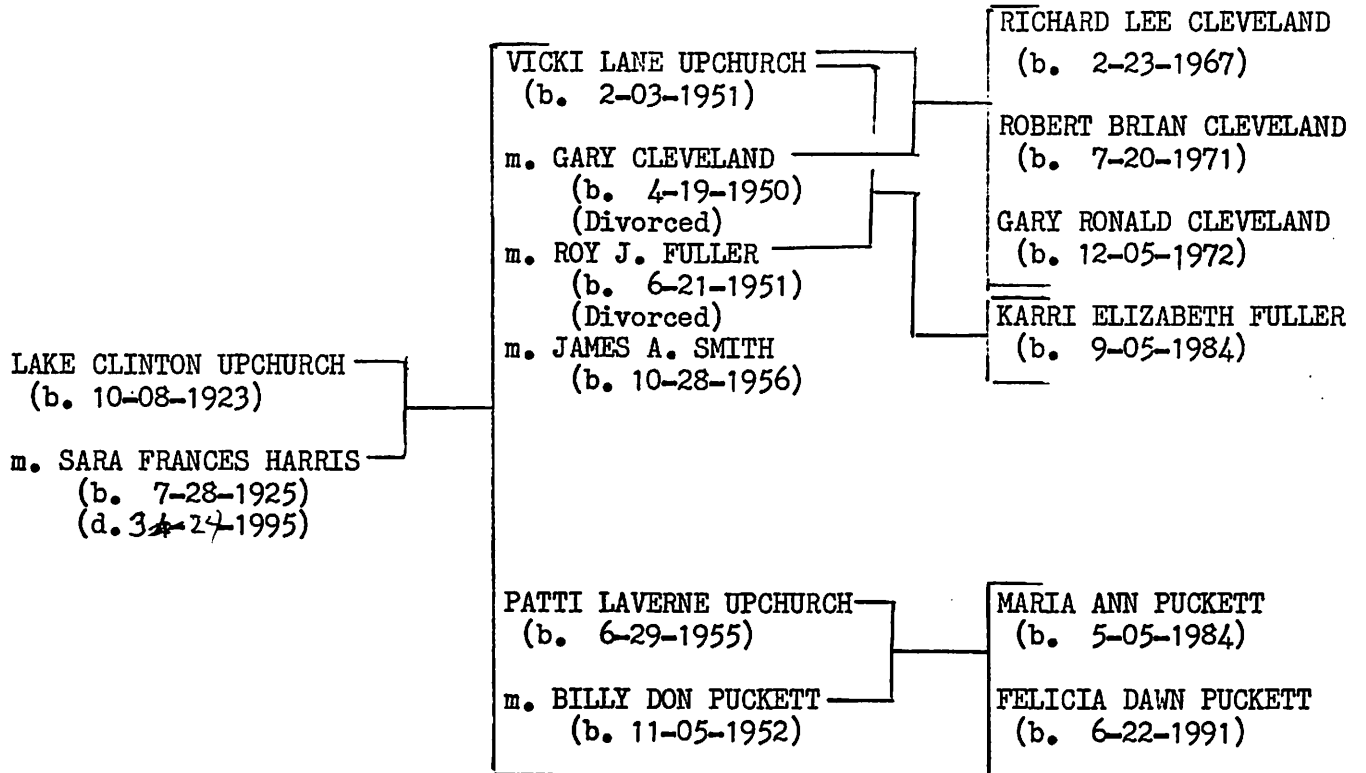
m. SHIRLEY ROBINSON  
(b. 5-29-1943)

CATHERINE MICHELLE UPCHURCH  
(b. 12-14-1966)

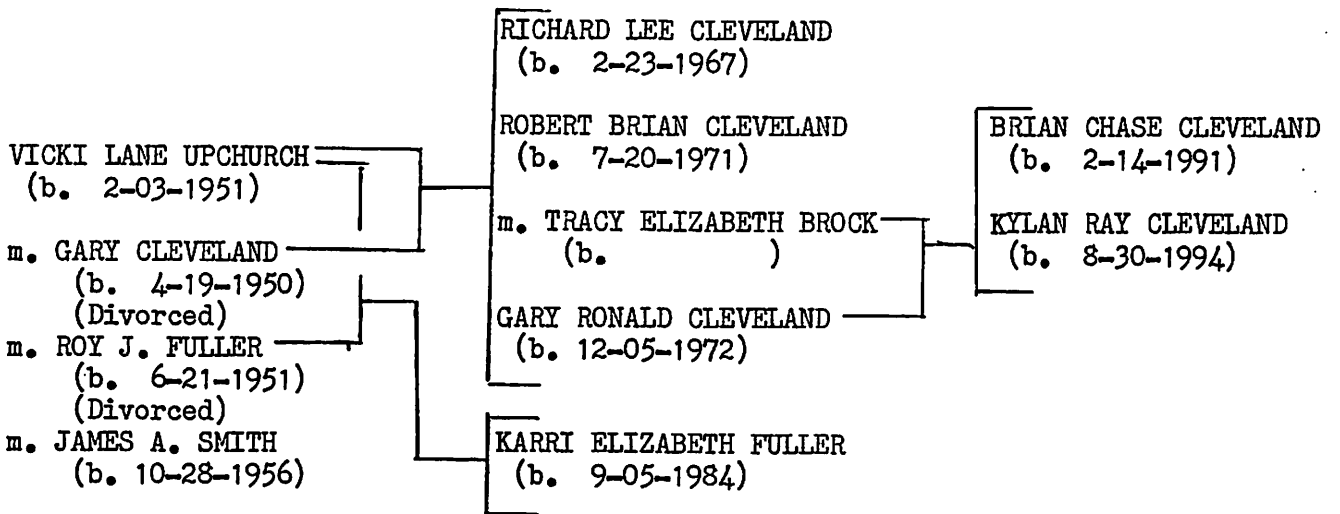
m. LEE JORGENSEN  
(b. 6-29-1966)

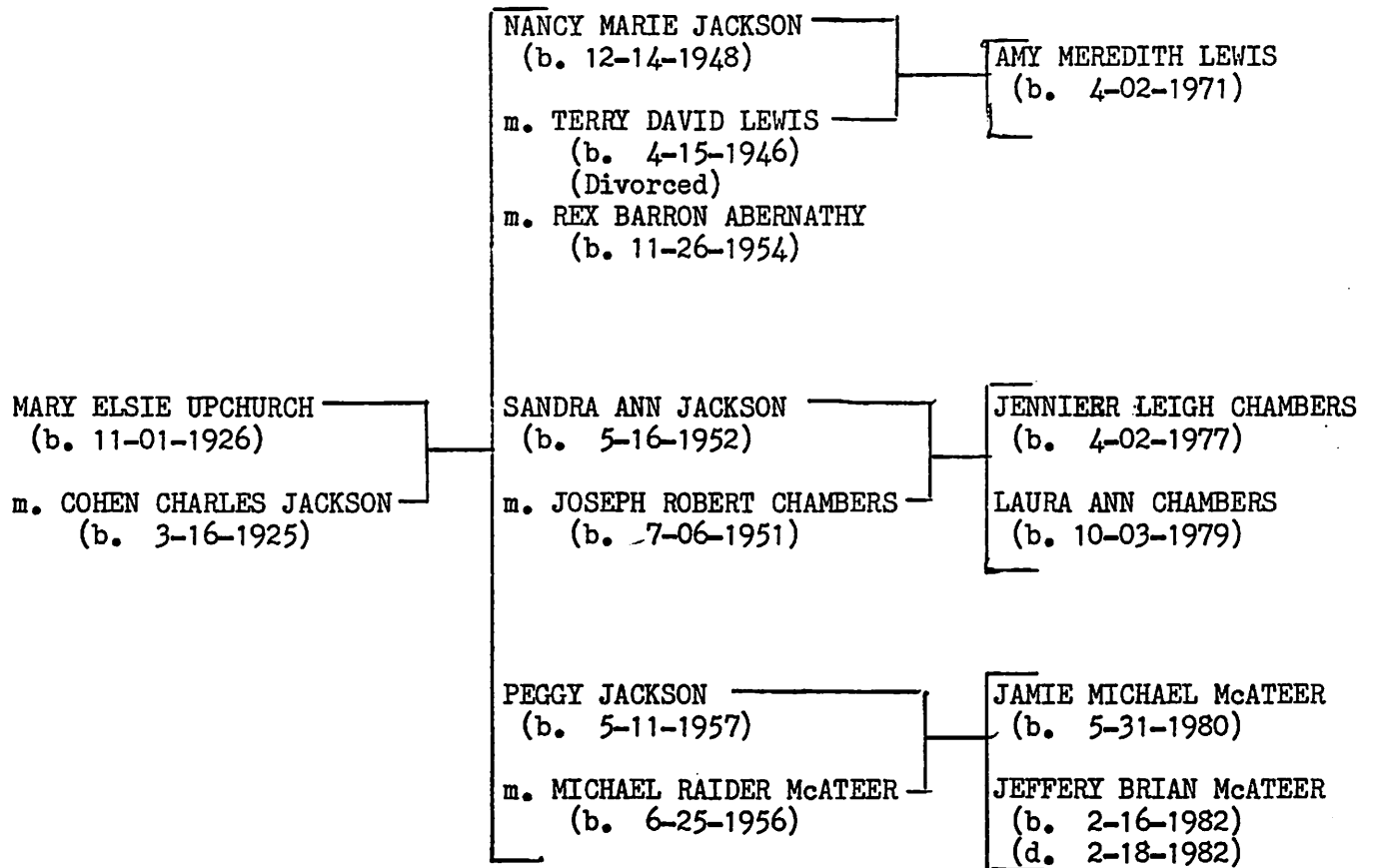
KELSEY LEIGH JORGENSEN  
(b. 5-14-1993)











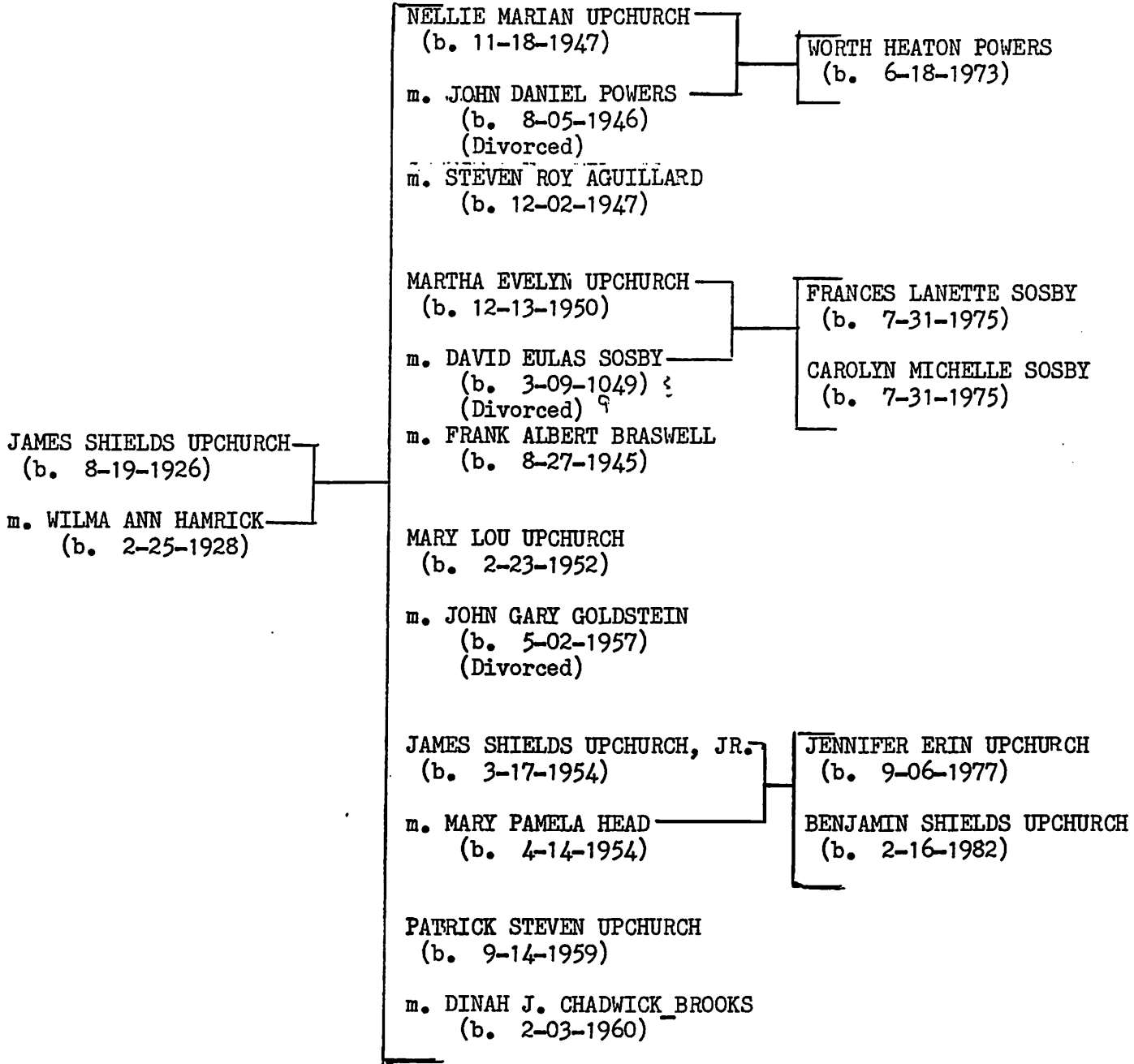
JOHN SHIELDS UPCHURCH  
(b. 7-26-1896)  
(d. 10-14-1980)

m. EVIE JOHNSON  
(b. 7-28-1896)  
(d. 6-23-1953)  
m. JEWEL HASKINS  
(b. )  
(d. 4-28-1978)

JAMES SHIELDS UPCHURCH  
(b. 8-19-1926)

m. WILMA HAMRICK  
(b. 2-25-1928)

NELLIE MARIAN UPCHURCH  
MARTHA EVELYN UPCHURCH  
MARY LOU UPCHURCH  
JAMES SHIELDS UPCHURCH, JR.  
PATRICK STEVEN UPCHURCH



THOMAS RALPH UPCHURCH  
 (b. 5-01-1902)  
 (d. 1-28-1995)  
 m. MYRTLE MAELENNE FLETCHER  
 (b. 5-13-1904)  
 (d. 9-23-2000)

REYNOLDS HYATT UPCHURCH  
 (b. 3-26-1926)  
 (d. 2-24-2000)  
 m. TOMMYE GANNAMAY  
 (b. 8-10-1929)

MARY JILL UPCHURCH  
 RALPH HYATT UPCHURCH

BUNNY CLOIS UPCHURCH  
 (b. 9-17-1929)

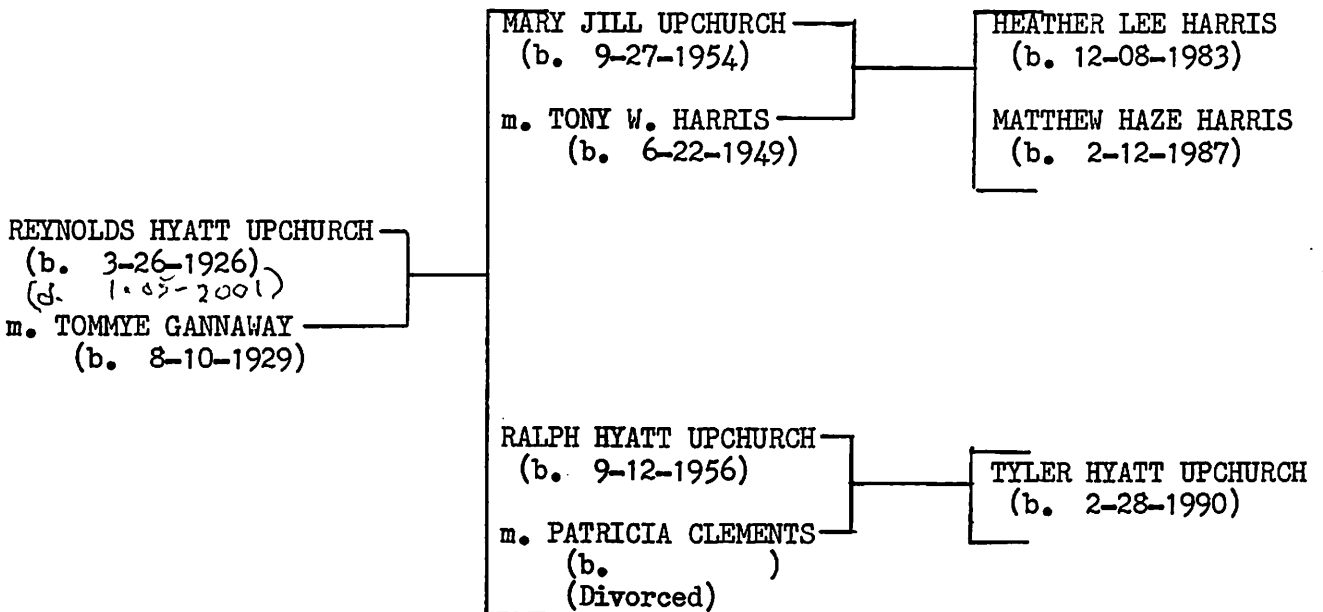
m. EDWARD HOUSTON GARDNER  
 (b. 6-02-1927)

TOMMIE CAROLYN UPCHURCH  
 (b. 11-27-1930)  
 m. WILLIAM NEWTON PRICE  
 (b. 9-01-1932)

SUSAN DARLENE PRICE  
 WILLIAM WAYNE PRICE

DORIS LYNETTE UPCHURCH  
 (b. 10-08-1936)  
 m. HAROLD MARCEL ESTOCK  
 (b. 6-02-1934)  
 (d. 2-16-1989)  
 m. CHARLES WALDO EVANS  
 (b. 6-23-1932)  
 (d. 7-11-2009)

DEANE JILL ESTOCK  
 STEPHEN THOMAS ESTOCK  
 DAVID HAROLD ESTOCK  
 BRYAN EDWARD ESTOCK



TOMMIE CAROLYN UPCHURCH  
(b. 11-27-1930)  
m. WILLIAM NEWTON PRICE  
(b. 9-01-1932)

SUSAN DARLENE PRICE  
(b. 1-22-1964)

m. URMAS GROSSTHAL

HAILI ADELE GROSSTHAL  
(b. 10-15-1998)

GEOFFREY ERIC GROSSTHAL  
(b. 12-17-2001)

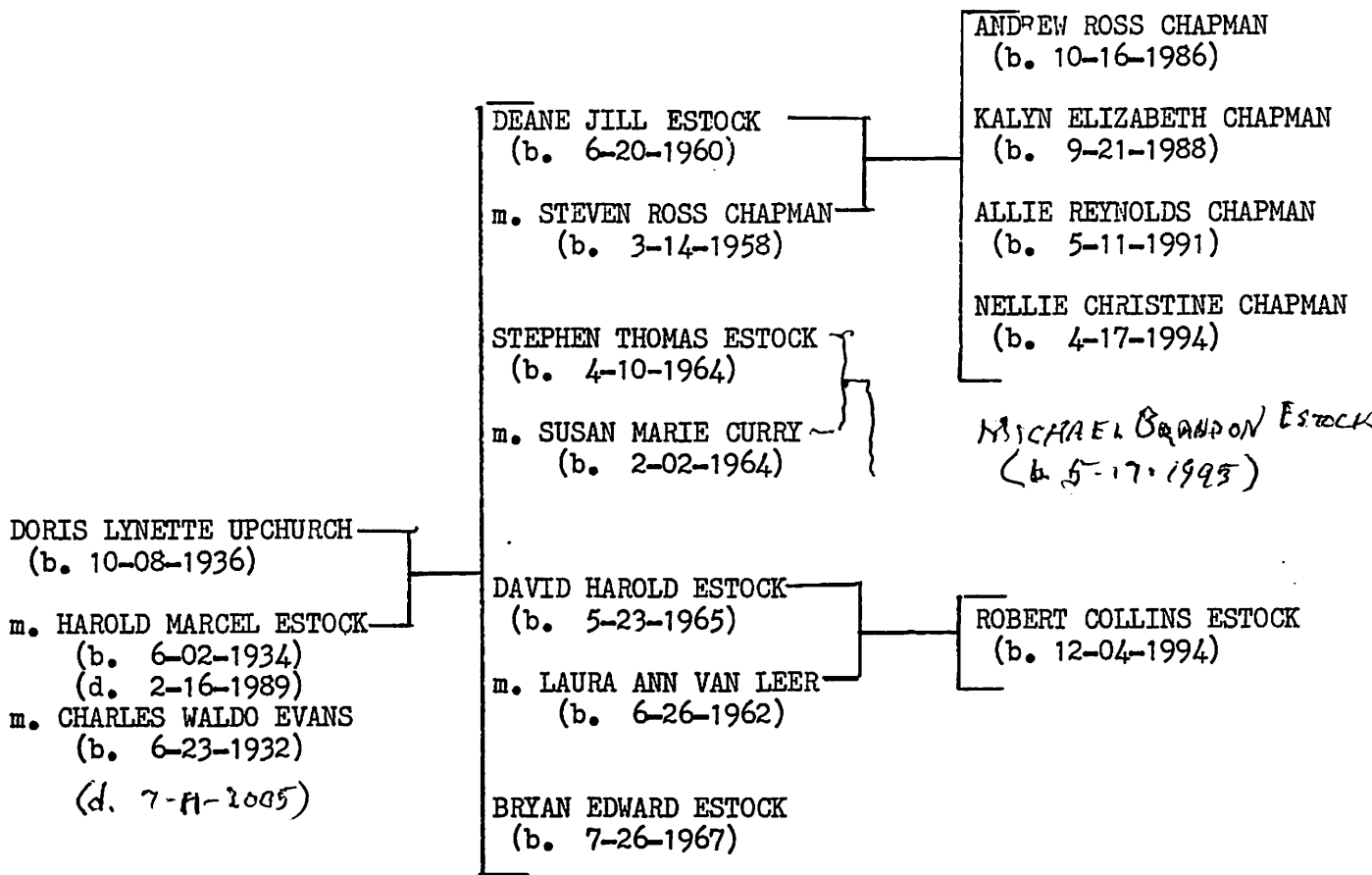
WILLIAM WAYNE PRICE  
(b. 8-10-1965)

m. KIMBERLY REE JOLLEY  
(b. 8-23-1967)

WILLIAM HUNTER PRICE  
(b. 3-16-1989)

HOLLAND MARIE PRICE  
(b. 12-21-1992)

HANNAH MARGARET PRICE  
(b. 10-02-1998)





JOSEPH ABNER UPCHURCH  
(b. 3-09-1910)  
(d. 3-11-1995)  
m. WILLA MARLOW  
(b. 11-15-1914)  
(d. 8-04-2000)

BARBARA ANN UPCHURCH  
(b. 9-05-1934)  
m. BOBBY A. ROWLAND  
(b. 9-01-1932)

JO WYNNE ROWLAND  
ALICE ANN ROWLAND  
ROBERT ANDREW ROWLAND  
WILLA BETH ROWLAND

STANLEY

THOMAS S. UPCHURCH  
(b. 8-10-1939)  
m. PATSY HAND  
(b. 3-30-1939)

JOHN MATTHEW UPCHURCH  
LISA ANN UPCHURCH

BARBARA ANN UPCHURCH  
(b. 9-05-1934)

m. BOBBY A. ROWLAND  
(b. 9-01-1932)

JO WYNNE ROWLAND  
(b. 4-02-1956)

(d. 8-06-1999)

m. MICHAEL STOGNER  
(b. 10-03-1960)

(DORCED)

m. GREG BENEFIELD  
(b. 6-25-1957)

ALICE ANN ROWLAND  
(b. 6-26-1958)

WILLIAM

m. EDWIN MARTIN  
(b. 10-12-1949)

ROBERT ANDREW ROWLAND  
(b. 11-19-1964)

m. KATHLEEN O'SHEA  
(b. 6-06-1963)

WILLA BETH ROWLAND  
(b. 2-07-1966)

m. JEFF L. BROWN  
(b. 12-21-1967)

BARBARA SUZANNE BENEFIELD  
(b. 6-22-1984)

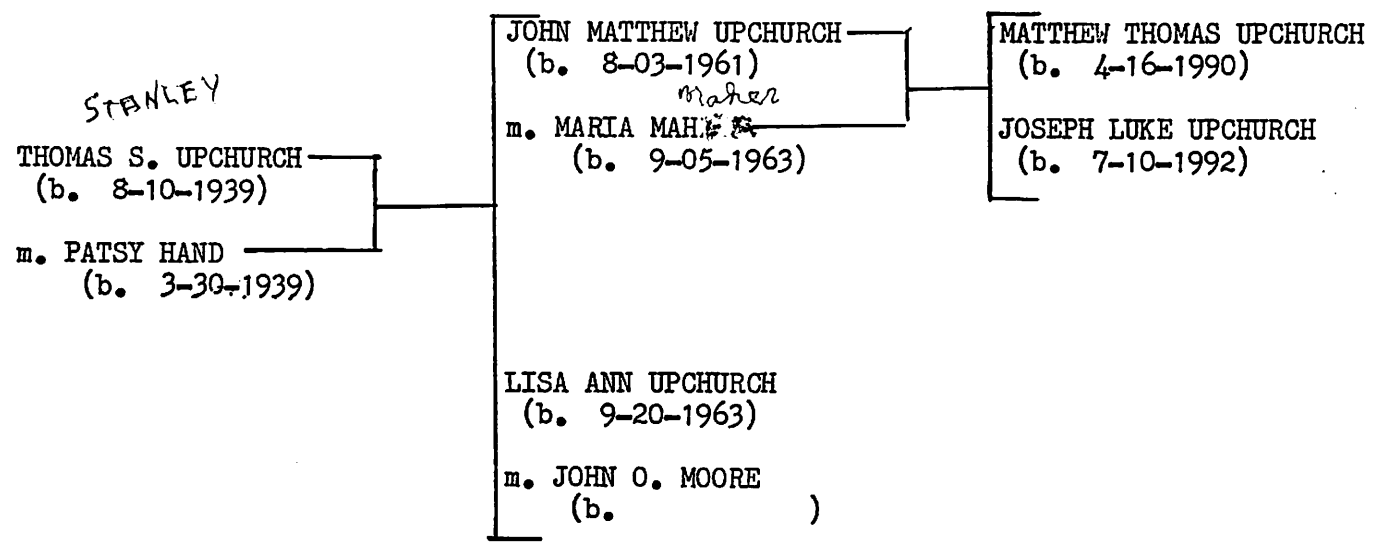
JOSEPH BENEFIELD  
(b. 6-25-1988)

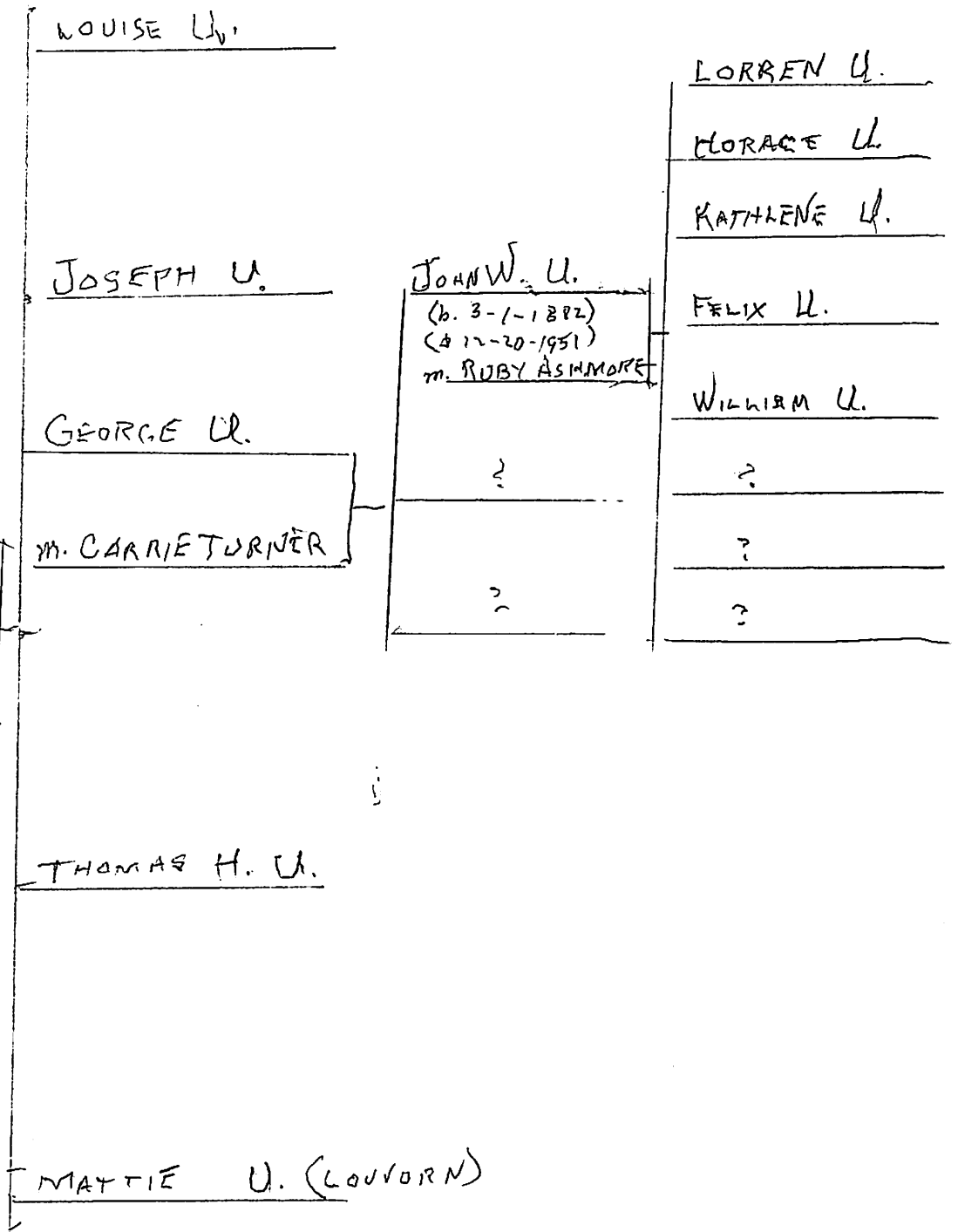
ELIZABETH ANN MARTIN  
(b. 1-08-1991)

KATHERINE MICHELE MARTIN  
(b. 4-18-1995)

EMSLY ROWLAND  
(b. ?)

VICTORIA BROWN  
(b. 6-20-1993)





WILLIAM BARNES U.

M. NANCY MATILDA COPELAND

1928

1926  
1859  
67

2, 1928

On Oct. 8 1926 the children of Mr Tom Upchurch met at his home to celebrate his birthday age ( 70 years old); Lake's also and the anniversary of Mrs and Mrs Shields Upchurch. All arrived about the same time and with the two grandbabies to show off, James and Hyatt, their was much talking and laughter. The morning was spent in talking of the past and before we all ~~was~~ it was dinner time on account of the weather (rain) we served our repast indoors and such a dinner, (fit for the kings) which all enjoyed to the fullest. that year we were all wonderfully blest with good health, and Mr Upchurch with three grandbabies and one great grand daughter. Hyatt, James, Mary, gandchildren and Harbour, <sup>great</sup> granddaughter

We enjoyed the day so it was moved that we meet each year and help Father enjoy the day. Those present were, Mrs & Mrs Charles Upchurch Children James, Glean, Lake and Ray; Mr & Mrs Homer Upchurch, children Harold, Wayne, Christine, Stanley and Don; Mr & Mrs J. S. Upchurch and James; Mr & Mrs Ralph Upchurch and Hyatt; Mrs Paul Johnson; Mr & Mrs JI Thurman.

Hyatt Upchurch born Mar 26 - 1926  
 James Upchurch " August 19 - 1926  
 Mary Upchurch daughter of Mr & Mrs L. Upchurch borned Nov 9 - 26

shields upchurch

born 8-22-27

1928

IN MEMORY

On Dec. 14 <sup>1927</sup> 1928 the white robed angels stole into the home of Mr & Mrs C. L. Upchurch and bore away on their snowy pinion little Ray, age six years four months and twenty-one days.

We would say to the sorrowing ones while their home is draped in the deepest shadows, their little one is forever safe in the arms of Jesus beckoning with his little hands for them to follow.

He was loaned to them just a little while, but long enough for their hearts <sup>to</sup> become attached to him as only parents can. They longed to rear him but God saw otherwise and it is well we have an allwise captain life bark that will guide us the safest and best way. Our life is not left to chance but is directed by an unseen hand who does all things well, and while we are weaving the tangled web of life, and it appears such a tangled mass to us perhaps there is a skeen being woved on the otherside with a different lustre.

Every wave of sorrow rolls at His bidding, but thank God there is a limit to this suffering time. "The little while," of which Jesus spoke will soon be ended and we shall soon see our loved ones again; and dear parents while your fair blossom has withered in the bud and you have lain your idol under the sod, but in this midnight gloom we still have Juses' words penetrating even through the vaults of the dead "only believe" I will come again and receive you unto myself."

Little Ray had been sick some time, and thought he was going to die, for he told his little brother to be good or the bad man would get him.

To the sorrowing ones, your little one is gone, his voice is silent, but you may expect to see him again and may the good God in whom we trust and try to serve comfort you in this sad hour.

Mrs. John Hearn

1929

On Oct 8 1929 the children of Father Upchurch gathered to celebrate his birthday. This being his 71 birthday, and as each arrived he was given a little token of remembrance of the event. Much enjoyment was had over his happiness over each gift. Several friends and neighbors came in also and helped him enjoy the day. A large table was spread at noon with delicious things to eat. In the center of the table stood the beautiful birthday cake covered with candles. The menu consisted of chicken and dressing, bake ham, fried chicken, steak, brunswick stew, meat loaf, pickles of all kinds, pies, custards, cakes, crackers, breads and coffee and tea.

One new member had been added to the list Mary Upchurch who was eight months old and how fortunate not one death to mar the happy occasion. The afternoon was too short for it was time to bid good bye before we were ready to leave, several had to make the trip to Birmingham and others to near by places. Each left expecting to meet again next year at the old home place. Those present, Mr and Mrs Charles Upchurch, James, Glynn, Lake, Ray, and Mary, Mr Homer Upchurch, Mr and Mrs Shields Upchurch and James, Mr & Mrs Jim Thurman Mr George Upchurch, Mrs May Johnson,

*Cloris Upchurch daughter of Mr + Mrs Ralph Upchurch born Sept 17 1929.*



72

1930

Another birthday has arrived and here we are ready to help make the day happy for Lake and Father. Our hearts have been <sup>upchurch</sup> made sad by death of Ray in March, Uncle George and Uncle Jim Thurman and Will Carpenter in September. We are celebrating the day earlier for the sake of those who live in Birmingham. We met early and helped to fix the lunch besides talking to our hearts content, for all tried to make the sad ones forget their sorrow for the time being, our ties are being made dear, for those waiting over yonder and as we go down life's path lets try to share the burdens of those around us and that will help heal our own sorrows. Those present were just the children and grandchildren.

Ann Gullibeau borned Sept 24-1930  
Caroline Upchurch borned Nov-27-1930 to  
Mr & Mrs Ralph Upchurch.

Sept 30 1930

In Memory

James Lavender Thurman was born December 7 1861 and died September 11, 1930, lacking a few weeks of being seventy years of age, the allotted time of man on earth. He was the only son of the sainted Rev. John Thurman by his second wife, Mrs Eliza Lavender Thurman. Bro Jimmie, as we called him, had but one sister, Mrs T H Upchurch, who preceded him to death as all his half-brothers and sisters did. His father was known over western Georgia as one of the pioneers of Methodism, he being a Methodist preacher of profound ability, organizing of the churches through this section of Georgia. He was the founder of Smith's Chapel near his home, where his body and those of his two wives and some of his children, including J. L. rest, awaiting the resurrection of the dead. Jimmie joined the church in his boyhood and remained a faithful member till his death. For years has, was the pillar of his home church, taking the place of his father in a way. He was quiet, unassuming man, in all the relations of life. His motto was to do right always in all things. He exemplified in his life one of the tenets of a true Methodist, never to be triflingly employed. He was true to his church, to his family and to his God, in his place at church, doing his bit to make the service a blessing to his own life and to help others. A good neighbor, a true friend and associate, he has been a friend and associate he has been a friend and brother to me since boyhood. His mother was my first teacher, both in Sunday school and literary school. In my first school she was the teacher and Jimmie was there, not as a regular pupil, but to learn the ways of school, and being a cripple myself and little older than he and not able to join in the sport of the older boys, we were naturally thrown together, making us chums, which relationship existed through all the years. I loved him like a brother

Rev. John  
Thurman,  
No. 395, who  
preached the  
first sermon  
ever in Atlanta  
JST

and have reason to believe it was reciprocated by him. He despised sham and hypocrisy in every phase of life. He was honest, truthful, industrious and economical in all things. He was married to Miss Annie Eisinger on Dec. 13, 1885, with whom he lived happily till death, she surviving him. There were no living children to this union. She is left alone in the world, not friendless, for she numbers her friends by her acquaintances, but has no one to look to or rely on, as she is and has been for a number of years, almost an invalid. Seldom have I ever seen a more devoted, loving husband in all their years of marital life. He was so attentive to her every need. She will miss him, O so much. We commend her to our heavenly Father's tender care and ask that her husband's friends and relatives remember her in her sorrow and loneliness, speaking a kind word to her and visiting her when you can, helping her in her burden. In Holy Writ, we are commanded to help each other bear our burdens. This is one time we should obey it. After funeral services conducted by Rev. J. R. Allen, of Bowdon Ga. in the presence of a large concourse of his relatives and friends, we laid all that was mortal of James to rest underneath a mound of beautiful flowers in Smith's Chapel cemetery, by the side of his saintly parents, in the grave to await the coming of our Lord, when He shall call forth His own to arise and have part in the first resurrection. Blessed are they who have part in first resurrection. Let us all live so that when we are called hence, we will have our house in order. Farewell, friend, for a while I shall see you again.

J.C.C.

1931

On Oct 8 1931 the children all gathered at the home of Mrs Paul Johnson for the celebration of the birthdays. She had moved back home across the branch from Fathers home and as it was so cool and pleasant we decided to have the spread over to May's. About ten the children and grandchildren, brothers and sister, friends and neighbors began to arrive to wish him much joy and each to bring him a little token of love. By noon the yard and house was filled to over flowing and at noon the tables were brought out and such a dinner , it was indeed a grand sight to see so many good things to eat. Thanks were returned by Mr Bill Crumbie and I think there were 90 to feast around that table. The guest were Mrs Effie Alexander, Mr & Mrs Frank Alexander, Mr & Mrs Thurman Sherrill, Mrs Annie Thurman, Mr Bernard Watson, Mr Sivey Sims, Mr Bill Crumbie, Mr Jim Johnson Mrs Annie Ruth Jeter, Mr & Mrs Will Jeter, Mr Merrall Carpenter, Dr & Mrs Gillebeau and Barbara and Ann, Mr & Mrs John Upchurch and family, Mr

*The depression brought us back to the farm from Bkonia*  
 JFF

1932

Last Sunday Oct 11 1932 the children met at the home of Father  
Uhohurch to celebrate his 73 Birthday. The children gathered early  
wishing him a happy birthday and to give him his birthday gift  
which they all had chip in and bought, a new suit of clothes and  
how proud he was of it. This year all the children was present  
besides a large crowd of relatives and friends, this being the  
largest gathering that had ever attended. The tables

The tables were placed on the north side of the house and a boun-  
tiful lunch was spread. Everybody seemed to enjoy themselves mightly.  
Pictures were taken of the crowd and we hope to have one for the diary.  
About four the guest began to depart for their respective homes. Those  
present were; Children, Grandchildren and Great grand children, Mr  
Jim Johnson, Annie Ruth & James, Mrs W. J. Lovvorn, Mrs Mattie McDaniel  
Mr. Joe McGiboeny, Mrs Mattie McGiboeny, Miss Marlow, Mrs Effie Alexander  
Mr Frank Alexander and wife, Mr Bill Czumbie, Mr Russell Lambert, Mr &  
Mrs Auther Holmes, Manie, Minnie and Children, Miss Poly Ingram,  
Mr Burnard Watson, Miss Frances Jeter, Miss Alexander, Mr & Mrs Bill  
Alexander, Vivian Alexander, Mr & Mrs Will Jeter, Mr William Hearn  
Mr & Mrs John Up church and children, Mrs Annie Thurman,

my grandfather  
J.P.J.

1933

"IN Loving Memory"

On day Nov. 28 1933, the death angel visited the home of Mr & Mrs D. A. Alexander and took away their precious daughter Vivian. She was the only child and Oh! how they and everyone who knew her well miss her, She was born Oct. 3 1920, She stayed with us for only a short time, we can't understand why a sweet young girl in the Beauty and bloom of life was taken but sometimes we shall understand why this lovely flower was plucked from our midst.

She leaves a heart broken father and mother, a host of relatives and friends to mourn her death. I have known her for quite a while we started to school together and were in the same class all thru graded school. Just as we stated, how everything that loving hands could do but there was a vacant ~~pl~~ chair in Heaven; so she was called up to higher ground, and we say that our lost is her gain.

Her voice is still, her place is vacant, her footsteps are heard no more, Oh! how lonesome it is without her, Her place at school can not be filled, I sometimes turn around and gaz at the seat in which she sat and Oh! how lonesome it looks without seeing Vivian's sweet face and the bright smile she always wore. Our class cannot be complete no matter who comes in without Vivian.

No one can ever fill her place at home or in school but the memories will always linger along life's way. A dark cloud will always be along with her parents, relatives and friends.

Vivian was a affectionate, obedient daughter, she had no enemies and was admired by all who knew her. She had a sweet disposition

P2 In Loving Memory

and would always give to the consent and the wishes of others, It is so hard to give her up, but God know's best.

We may strive to hid our longing In the midst of mirth and fun

But we are thinking, thinking of the loved--"the absent one."

When we gather around the fireside, with merry laugh and jest,

I think we all wish the absent one was here with the rest.

As we gather at the table and watch each smiling face,

The heart fills with emotion to see the vacant place.

Still we join in all the pleasure but we wish the day was done.

For we are thinking, thinking of the loved--"the absent one."

Waiting when the day is over.

We fell the Heavenly Father doth all things for the best,

So they cheer our drooping spirits with the rising of the sun,

But we cannot help thinking, thinking of the loved--"the absent one."

Funeral services were held at Burwell Nov. 29 1933, conducted by

Rev. Zach Hays her pastor, she was placed to rest in Shiloh Cemetery

The great floral offering speak in the language of the flowers of the

love for her. The entire family have our deepest symp athy, we can't

heal gour broken hearts, we can only point you to him who alone is able

and will heal all broken hearts and wipe all sorrows away.

"All is sad with in our dwelling; Lonely are our hearts today;

For the one we love so dearly has passed away.

The Pearly Gates were opened, a gentle voice said, "COME", and with

a farewell unspoken she calmly entered home."

Annie Kate Wright

1933

All the children gathered together on the first Sunday of Oct to celebrate Oct 8 the birthday of Father and Lake this being 74th birthday. Such a happy occasion for every one was in the spirit of making the day happy for Father. The children came early also the ones from the cities and how the time did fly. About ten the other relatives began to come and about twelve the tables were brought out and what a dinner was places on them. The day was cold so the older ones were served in doors Uncle Jap was there to say grace and all enjoyed his after dinner talk. I don't believe there was as many there this time but all the children and grandchildren were on the spot to help and to serve. Those present were Homer and family, Charles and family May and family, Shields and family, Ralph and family, Abner and family, Aunt Annie Thurman, Miss Effie Alexander, Mrs Mattie McGibeony John and Joe, Mr & Mrs Aurther Holmes and family, Mr Watson, Mr William Hearn, Mr & Mrs Jeter and family, Mr & Mrs Sherril and family, Mr Jim Johnson, Mrs Mattie McDaniel, Mr Hil Crumbie, Rev and Mrs Lovvorn, Mr And Mrs Bill Alexander and family,



1934

13

One again the time has arrived for the children to celebrate Father Upchurch's birthday Oct 8 1934. We met at his home bright and early to wish him many happy returns of the day. Each was there to give him a glad hand clasp, for as the years roll on some are missing that was there the year before to make day happy. About ten, the friends and neighbors began to arrive and even if the day was chilly our hearts were warm for one who had lived a consecrated life, one who his children are proud to honor and love and each did his best to make the day happy for him. At twelve the tables were ~~spread~~ spread with the Birthday Cake in the center and along the table bright flowers were placed and when the lunch was spreaded it was indeed fit feast for the Gods. Thanks was returned by Mr Crumble and each and every one enjoyed the repast to the fullest. The afternoon was spent in conversation and the time pasted all to short. For we must pause and mention those who have past on to the eternal home this year, Vivian Alexander and Mrs Frank Alexander whose present were missed and I think it fitting if we place there <sup>it</sup> arbitrary in these pages of our diary. Those present all the children and Mrs Annie Thurman, Mrs Effie Alexander, Mrs Mattie McDaniel Mrs Mattie McGibbony, Mr Jim Johnson Jr and Mrs Auther Homes, Minnie, Mammie and children, Mr Hill Crumble, Mrs W. J. Lovvorn, Mrs Heck and Lake Mr and Mrs Jess Griffis, Mr Russell Lambert and Mr Watson,

1935

On Oct. 5, 1935 the family met again at the home of F  
 Farber Upchurch to celebrate the birthdays, anniversary  
 together. It being Mr Upchurch's 76 birthday, Lakes 12th  
 and Mr & Mrs Shields Upchurch 13th anniversary. About 10  
 o'clock the children and grandchildren began to arrive to  
 wish him many happy returns of the day each bringing some  
 little token of love. As the day was cold the crowd  
 gathered together around the fire and how good it seem  
 ed to have so many with us again, his sister, brother ←  
 was there to help him enjoy the day. At noon a delicious  
 dinner was served out in the yard, the birthday cakes  
 graced the center of the table. The menu consisted of  
 many good things to eat, as chicken, ham, beef, bruns-  
 wick stew, pickles, pies, custards, cakes and coffee.  
 And the time passed all too short for it was time to

*Aunt Mattie Lovvorn*  
*Uncle Joe Upchurch*

leave all too soon. List given below of those present

**UPCHURCH REUNION**  
 1935

The Upchurch family reunion was held Sunday at the home of Mr. T. H. Upchurch at Burwell, the occasion celebrating the seventy-sixth birthday of Mr. Upchurch, the wedding anniversary of his son, Mr. J. S. Upchurch, and Mrs. Upchurch, and the twelfth birthday of his grandson, Lake Upchurch. At noon a bountiful dinner was spread.

Those present were Mr. and Mrs. T. H. Upchurch, Dan and Maynard, Mr. and Mrs. H. E. Upchurch and Harold Upchurch, of Warm Springs, Wayne Upchurch, of Hazlehurst, Stanford Upchurch, of Burwell, Mr and Mrs. O. L. Upchurch and children, James, Glenn, Lake and Mary, Mr. and Mrs. J. S. Upchurch and son, James, of Carrollton, Mr. and Mrs. T. R. Upchurch and children, Hyatt, Lois and Carolyn, Mr. and Mrs. J. A. Upchurch and daughter, Barbara Ann, Mr. and Mrs. J. P. Johnson and Miss Bonnylyn Johnson, of Birmingham, J. P. Johnson, Jr., Kay, Robbie and Margaret Johnson, Mrs. J. L. Thurman, Mr. and Mrs. Thomas Sherrill and daughter, Frances, Mr. and Mrs. John Upchurch and family, Mr. W. M. Crumbley, Mrs. M. A. McGiboney and sons, J. H. and J. C. McGiboney, Mr. and Mrs. Jesse Griffen, Mr. and Mrs. W. D. Jeter and daughter, Dr. and Mrs. Guillebeau and daughters, Barbara and Anne, of Atlanta, Mr. Watson, of Birmingham, Ala., Mr. J. L. Upchurch, Cullman, Ala., Rev. and Mrs. W. J. Lovvorn, Mr. J. T. Johnson, of Car

Mrs. Annie Thurman passed away March 1936 after a years illness.

Funeral services were held at Smith's Chapel Sunday and interment was

by the side of her husband who passed away in 1930.

"In Memory of Mrs. Annie T. Thurman"

Sept 5 1936- Lucigene Craven

Some of the happiest moments of my childhood

were spent in the home of Aunt Annie and Uncle Jim

Thurman, Due to the close blood relationship be-

tween our families and the fact that our homes were close together

most of my early years, I probably spent more time with them than I

otherwise might have.

Having no children of their own, they spent their love of children on

their many nieces and nephews. Some of these were almost always to be

found in their home. To me it was considered a treat to be allowed to

go and spend the night or a week as I did so many times. Aunt Annie

would let me help her with simple household tasks which every child

likes to do away from home more than at home. Then when Uncle Jim would

take me up on his horse with him and ride over the farm or take me home,

my happiness was complete.

In spite of her ill health, she found it possible to do a great deal

of work. She took great pride in her home and it was beautiful as

much as possible by her. Her flowers were always bright and cheerful,

her vegetables garden usually earlier than anyone else's in the neigh-

borhood, her chickens flourished and she raised many of them. She had

a little low chair that she carried everywhere for most of her work was

done sitting in it. I have seen her picking cotton in this chair many

### Mrs. Annie Thurman Passes Away At Bowdon

Mrs. Annie Tysinger Thurman passed away at her home near Bowdon Saturday. Funeral services were held at Smith's Chapel Sunday and interment was in the churchyard.

She is survived by one sister, Mrs. Elizabeth A. Norris, of Atlanta and a number of nieces and nephews.

16

times. Her indomitable will made it possible to do much that most of us would have despaired of.

It is difficult to write of Aunt Annie Thurman's life without bringing Uncle Jim into it very often for their lives were closely knitted together since I have known them. Due to the semi-invalidism inflicted on her she was very dependent on him and was seldom seen without him during his life time. How many times have I heard her say that she trusted that she would be taken before he was as she didn't know how she could live without him. However, we cannot explain why such mysterious sorrows are visited on us all, and it was willed that she live five and half years after she passed on. Her grief was deep and unrelenting and until her death the pangs were still fresh.

During this 5½ years her health was very poor and she was tenderly cared for by her great nephew and niece, besides all the other nieces and nephews who so tenderly came and administered to her needs. The home was always open to her friends and relatives to visit her, and these visits were looked forward to by Aunt Annie in her invalid state. Every call made by a neighbor or distant friends and relatives was appreciated by her. Little gifts of flowers or fruit, and any token of thoughtfulness, gave her something to think of and talk about. Now we like to think of her as being "At Rest." The following poem by Christina Georgina Rossetti seems very fitting to me.

"At Rest,"

"O earth, lie heavily upon her eyes:  
Seal her sweet eyes weary of watching, Earth;  
Lie close around her; leave no room for mirth  
With its harsh laughter, nor for sound of sighs.

She had no questions, she had no replies,  
Brushed in and curtained with a blessed death  
Of all that irked her from the hour of birth;  
With stillness that is almost Paradise.

Darkness more clear than noontide holdeth her,  
Silence more musical than any song;  
Even her very heart has ceased to stir;  
Until the morning of Eternity  
Her rest shall not begin nor end, but be;  
And when she wakes she will not think it long."

18  
Oct 4 1936

On the first Sunday in Oct (4th 1936) the children and relatives and friends met at the home of Father Upchurch to celebrate his 77th Birthday. The day was fair and while the wind was chilly, our hearts were warm for one who we were pleased to honor. About eight o'clock the children began to arrive and by ten o'clock all were there to help him enjoy the day. Some were unable to attend and they were missed by all. Mr & Mrs Paul Johnson & family, Mr & Mrs Ralph Upchurch & family of Birmingham. Several new faces were added to the group, Mr Morris and Family, Mrs Hambrick & family (Aunt Mattie's children) and Mr Upchurch surely did enjoy the older ones. At noon the tables were arranged out in the yard with each table having the centerpiece a big birthday cake. Lake's was Carmel and Father's was Angel Food Menu consisted of chicken, dressing, celery, pickles, brunwick stew, Bake ham, pork, Lamb, fried chicken, beef, stuffed eggs, salad of all kinds, custard, pies, cakes, crackers, bread, coffee and tea.

Uncle Jep Lovvorn returned thanks and after each had enjoyed the lunch to the fullest. the guest were then seated and Judge Milligan gave an interesting talk about the family. After which the rest of the afternoon was spent in conversation.

About four o'clock each family began to say goodbye for the day had past to fast to us but we all hope to meet again on the Birthday Oct 8th of next year.

A nother birthday to celebrate on 8th of Oct. 1936 a baby girl was born to Ralph and wife. How proud we are to have so many to help Father Upchurch to celebrate his day.

On Oct 11 1936 Judge Millican died, at 11:20 burried Friday 13th--36 another one has passed from our midst. An it grieves our hearts to see another one gone who was with us on the 8th.

Those present 1936

Mrs L E Holmes  
Mrs Anthur Holmes  
Mr A. B. Holmes  
Mr & Mrs R E Guillebeau  
Barbara & Ann Guillebeau  
Mrs Carrie Alexander  
Mrs Una Upchurch  
Mrs May Upchurch  
" W J Lovvorn  
Mr Homer Upchurch  
Miss Christine Upchurch  
Mr Glenn Upchurch  
" Dan Upchurch

J Shields Upchurch  
David A Alexander  
Donald Upchurch  
J T Johnson  
W J Lovvorn  
W M Crumley  
T H Upchurch  
James Upchurch  
Lake Upchurch  
Mary Upchurch  
Maynard Upchurch  
Effie Mae Wright  
Mrs T H Upchurch

Name Continued:

Mrs J S Upchurch  
 Mrs E L Holmes  
 Mrs Oscar Hambrick  
 J F Morris  
 Mr Fred Jones  
 Mrs Fred Jones  
 Mr T J Eady  
 J E McGiboney  
 W B Lambert  
 W D Jeter  
 Merrell Carpenter  
 Horace Wright  
 Mrs Jess Griffies  
 Barbara Upchurch  
 Miriam Davis  
 Mrs Will Jeter  
 Mrs Millican  
 C L Upchurch

Virginia Hambrick  
 Mrs Hoyt Lovvorn  
 Mrs Dewey Hutcheson  
 Josh Hutcheson  
 Fannie Lee Morris  
 W B Martin  
 Jess Griffies  
 James Upchurch  
 J H McGiboney  
 Stanford Upchurch  
 Radford Jeter  
 Hoyt Lovvorn  
 Mrs J A Upchurch  
 Betty Allen  
 Hazel Jeter  
 Judge Millican  
 Gwendolyn Alexander  
 Rex MeTyre

*Lyneth Upchurch born Oct 8 - 1936 -*

Sept 23 1937

Our hearts were made sad by the passing of Dan, our son and brother, on Sept 9th, at 4 o'clock in the afternoon.

After a lingering illness of three months. Everything was done that human hands could do, but God in his infinite wisdom saw fit to call him home. He was only 22 years of age, having lived only one week after his birthday.

He had been in Birmingham for about 7 months when taken with meningitis and lay for weeks in intense pain. He began to improve about <sup>third</sup> ~~three~~ week in July, and by the Aug. 1st, Shields went for him and brought him home. How glad he was to get home, and how glad we were to welcome him home and his friends came far and near to see him. He seem to improve for the first few days, but by the next Sunday he began to have head aches and the Doctors advised us to take him back to hospital, which we did and after an examination it was necessary to operate, for he had puss on the brain and he rallied after the first operation, but the puss kept forming and one operation after another was performed but with no success and he passed away on Sept 9th 1937.

Martin & Almon brought him to Carrollton and prepared him for burial and Friday afternoon was carried home, where his many friends came bringing flowers that made the room a bower of flowers to rest in. What a blow to our family for he was good, kind and had a smile for everyone and made friends wherever he went, he was so thoughtful of Father and Mother and we all loved him and will ever be missed in our home.



He was laid to rest on Sat. 11 1937. Surrounded by his many friends who came to pay him tribute. Funeral services was held at M. E. Church at Burwell, with his pastor, Rev. E. G. Thomason holding one of the sweetest services I have ever listen too, for his message was more than comforting and the songs that were rendered by the Beulah Quartet was appreciated. He was laid to rest in the Burwell Cemetery with his grave covered with beautiful flowers.

A Copy of the Program

J. C. MARTIN  
 J. S. MARTIN  
 PHONE 57

H. M. ALMON  
 C. H. ALMON  
 PHONE 476

### MARTIN - ALMON COMPANY

FUNERAL DIRECTORS—AMBULANCE SERVICE  
 50 ADAMSON SQUARE      PHONE 38

CARROLLTON, GEORGIA

#### FUNERAL OF DAN STANLEY UPCHURCH

**PRECESSIONAL:**

Song-----Quartet

Scripture & Prayer-----Rev. E.G. Thomason

Song-----Quartet

Funeral Address-----Rev. E.G. Thomason

Song-----Quartet

**RECESSIONAL:**

Those calling Friday & Saturday Morning:

Mr & Mrs Horace Wright  
 " " Hollis Wright & John  
 Mrs Fletcher Harrison  
 " Mollie Copeland  
 Mr & Mrs John Upchurch & Family  
 Mrs Annie Ashmore  
 Mrs Vie Music  
 Mrs Sarah Allen  
 Mrs Rob Alexander  
 Mr Tom Eady  
 Mrs H J Eady  
 Mr & Mrs Paul Ashmore  
 Mrs Oliver Walker  
 Mrs Alma Wright  
 Miss Frances Wright  
 Mr & Mrs Will Jeter & family  
 Mr & Mrs Robert Jeter  
 Miss Vivian Chambers  
 Mr & Mrs W L Craven  
 Mrs Curtis Harrison  
 Miss Jean Harrison  
 Miss Louise Chambers  
 Mr R Harrison  
 Mr Henry Ashmore  
 Mr & Mrs Jes Griffies  
 Mr & Mrs J H Sims & family  
 Mr & Mrs E S Sherrill  
 Miss Annie Kate Wright  
 Mrs Grace Copeland  
 Mr John Gibson  
 Mr Martin Chambers Sr  
 Mrs Curtis Jeter  
 Mr Curtis Harrison  
 Rev E G Thomason  
 Mr Floy Harrison  
 Mr Boyd Senft  
 Mr & Mrs George Jeter  
 Miss Lizzie Jeter  
 Mr W T Wright  
 Mr Stanton Copeland  
 Mr Bob Musick  
 Mr Rob Alexander  
 Mr Fred Robinson  
 Mr Wilson Jeter  
 Mr Clarence Alexander  
 Mr Carl Marlow  
 Mr Eldridge McCray  
 Mr Bill Heman  
 Mr Oliver Walker

Mrs E H Hearn  
 Jack Sherrill  
 Mr Larry Beck  
 Mrs Larry Beck  
 Mr Dale Hearn  
 Mr Henson Copeland  
 Mrs Grady Burns  
 Mrs Bill Barnes  
 Mr Joe McElhenny  
 Mr John McElhenny  
 Mrs Jessie Hurdick  
 Mr J Radford Hurdick  
 Mrs I A Copeland  
 Miss Betty Allen  
 Miss Kathleen Staud  
 Mr Jan Staud  
 Mr Don Staud  
 Mr Cliff Staud  
 Mr Emmitt Wester  
 Mrs Emmett Wester  
 Mrs Fannie Copeland  
 Mr Bob McCray  
 Mr H C Allen  
 Mr Prince Harrison  
 Mrs W J Sims  
 Mr Joe Upchurch  
 Mrs Parrish  
 Mr Parrish  
 Mrs Olin Moore  
 Miss Beattie Upchurch  
 Mrs Etie Lee Bradley  
 Mr Paul Kuglar  
 Mr Bernard Watson  
 Mrs Bob Lee McCray  
 Mrs Charlie Marlow  
 Mrs Mattie Marlow  
 Mr L M Cooper  
 Mrs L M Cooper  
 Clarence McElay  
 Emory Marlow  
 Mrs Lee Sims  
 Mrs W F Craven  
 Mr Arthur Hobbs  
 Mrs A. Hobbs  
 Mrs S C Gentry  
 Miss Claude Fletcher  
 Mrs Grady Hurdick  
 Mrs Helen Hurdick  
 Mrs Frank Alexander  
 " Floy Eady.

E. Hester Hearn  
 Mrs + Mrs Harold Jeter

Flowers sent by Friends

1	Ladies Bible Class & Miss Davis	Wreath	Aster & Roses
2	Adult " "	Spray	Glads & Ferns
3	Mr & Mr J R Jeter	"	Zinnas & Daliahs
4	Mrs George Jeter	"	Roses
5	Mr & Mrs Larry Beck	Basket	"
6	Mr & Mrs J H Sims	Spray	"
7	Mr & Mrs Wayne Upchurch	"	Daliahs
8	Griffin's Store	"	Asters & Roses
9	Mr & Mrs Perry Digby	"	Daliahs
10	Rev & Mrs E G Thomason	Basket	"
11	Mrs Alma Wright & Family	Spray	" & Roses
12	Mrs J C Griffies	Spray	Roses
13	Mr & Mrs R E Guillebeau	"	Glads
14	Family Spray of Pink Glads & Tubroses ends tied with ribbon with flowers in each bow, covered the casket.		
15	Mr & Mrs W W Smith	Basket	Zinnas & Rosss
16	Tenn. C. I. Co.,	Spray	Glads
17	Mr & Mrs Lake Beck	wreath	Roses
18	Mr & Mrs Silvery Sims	Spray	Glads
19	Mr & Mrs Roy Sparks	"	Glads
20	Mr & Mrs Curtis Jeter	"	Daliahs
21	Mr & Mrs Hoke Sims & Family	"	Zinnas
22	Epworth League	"	Glads
23	Mr & Mrs Neal Hawkins & Jimmie Fletcher	Vase	Daliahs
24	Mill Electric Co	Spray	Glads
25	Insurance Company of Va.	Spray	Glads
26	Mr & Mrs J M Johnson , (		
27	Miss Elizabeth Johnson,)	Va se	Daliahs
28	Mr & Mrs H C Smith (		
29	Mrs R C King, Clotile, Otis	Wreath	Asters & Roses
30	3-H Bible Class Tabernacle)		
31	W M S Tabernacle )	Spray	Mixture
32	Mrs J L Crumbly	"	Zinnas
33	Mr & Mrs Whit Copeland	Wreath	Zinnas & Daliahs
34	Mr & Mrs L S Sherrill & Family	Spray	Roses & Daliahs
35	Mr & Mrs Thurman Sherrill	"	White Alpheus
36	Mrs John Alexander	"	
37	Mrs W D Jeter	"	
38	Mrs Bob Music	"	
39	Mrs. John Kuglar	"	
40	Mrs Paul Ashmore	"	Daliahs
41	Mrs Effie Mae Wright	Vase	Mixture
42	Mrs D G Brown & Family	Wreath	Daliahs & feverfew
43	Mrs Bill Barnes	Spray	Daliahs
44	Mrs E Jeter	"	"
45	Three sprays with no names.		
46	Mrs f L Kuglar	"	Daliahs

Cards and Letters sent

- 1 Rev J Arthur Griffies 429 Foryth St. Barnes Ga.
- 2 Mr & Mrs A. L. Moses & Miss Myrtie Waco Ga R #1
- 3 Mrs Belle Steed Robinson 2217 Dellwood Jacksonville Fla
- 4 Mr & Mrs M W Lovvorn Cedar St Carrollton Ga.
- 5 Miss Wawena Hughs R # 4 " "
- 6 Miss Lola Beck 263-10th N E Atlanta Ga.
- 7 Mr & Mrs Theo Spradlin Center St Carrollton Ga.
- 8 Alathean Class B. Tabernacle Bradley St " "
- 9 Martin-Almon Co. " "
- 10 Miss Nell Garrett Bowdon Ga. R F D
- 11 Mr Jim Jeter Orlanda Fla
- 12 Mrs J A Hearn Bainbridge Ga
- 13 Miss Elise Sherrill Clarksdale Ga
- 14 Mrs Myrtie Alexander Bowdon Ga
- 15 Miss Mary Beck N C
- 16 Miss Bonnilyn Johnson Birmingham Ala
- 17 Mrs Ira Parrish Culman Ala
- 18 Gleamers S S Class South Side M E Chruch Central Park Birmingham  
Mrs George Tinney (sec) 2017 25th Ave Ensley Ala
- 19 Matrons Class, Central Park M E Church Birmingham Ala
- 20 Mrs O H Long 4121 Terrace R Birmingham Ala
- 21 Rev B F Tingle Central Methodist Church Birming ham, Ala .
- 22 Miss Jean Buckelew 1150 N Capital Street Washington D C

### Notices that was in the Papers

#### Funeral Services Held At Shiloh For Dan S. Upchurch

D. S. Upchurch Dies At Hospital  
In Birmingham Thursday,  
September 10th - 37

Funeral services were held Saturday afternoon at Shiloh for Dan Stanley Upchurch, 22, who died Thursday at T. C. I. Hospital in Birmingham. Rev. E. G. Thomason officiated at the services which was by the Beulah Quartet.

The following served as pallbearers: Jay Johnson and Lawrence Glynn, Wayne, Logan and Horace Upchurch.

He is survived by his parents, Mr. and Mrs. T. H. Upchurch, six brothers, Maynard, H. E., and C. I. of Burwell, J. S. and J. A. of Carrollton, and T. R. Upchurch of Birmingham; one sister, Mrs. J. P. Johnson, of Birmingham.

Among those from out of town who attended the funeral were J. L. Upchurch, Mr. and Mrs. J. Parris, Miss Mary Joe Upchurch, of Cullman, Ala., Mr. and Mrs. J. P. Johnson, Bonalyn, Carrie Johnson and Margaret Johnson, and Carolyn and Lenett Upchurch.

James Upchurch, C. L. Upchurch, and Bernard Watson of Birmingham; Mr. and Mrs. H. E. Gillebeau, Barbara Ann Gillebeau, Mrs. Harold Craven, Miss June Alexander, Miss Pauline Craven, and Mr. John Wood Craven of Atlanta; Judge Chambers of Villa Rica, Ga., and Mrs. Prater of Bremen.

#### Funeral Services Held at Shiloh

Funeral services for Dan Stanley Upchurch, who died at a hospital in Birmingham after an illness of three months, were held at the Methodist church Saturday afternoon at 3 o'clock conducted by Rev. E. G. Thomason. The Beulah quartet was rendered by the church quartet, and pallbearers were Lawrence Glynn, Wayne, Logan and Horace Upchurch, Jay Johnson, and T. R. Upchurch.

He is survived by his parents, Mr. and Mrs. T. H. Upchurch, a sister, Mrs. J. P. Johnson, of Birmingham, six brothers, Maynard, H. E., C. I., J. S., and J. A. of Burwell, J. S. and J. A. of Carrollton, and T. R. Upchurch of Birmingham.

Among those from out of town who attended the funeral were J. L. Upchurch, Mr. and Mrs. J. Parris, Miss Mary Joe Upchurch, of Cullman, Ala., Mr. and Mrs. J. P. Johnson, Bonalyn, Carrie Johnson and Margaret Johnson, and Carolyn and Lenett Upchurch.

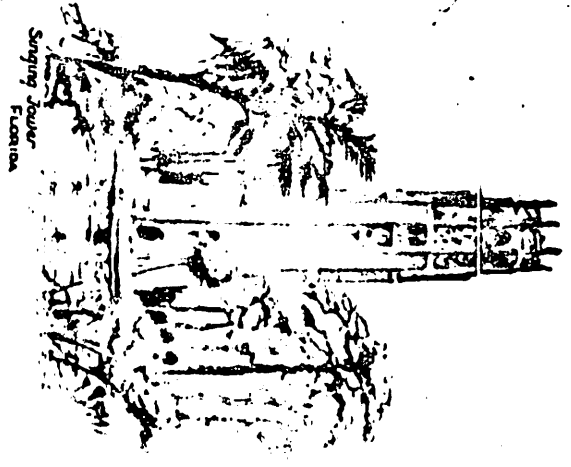
James Upchurch, C. L. Upchurch, and Bernard Watson of Birmingham; Mr. and Mrs. H. E. Gillebeau, Barbara Ann Gillebeau, Mrs. Harold Craven, Miss June Alexander, Miss Pauline Craven, and Mr. John Wood Craven of Atlanta; Judge Chambers of Villa Rica, Ga., and Mrs. Prater of Bremen.

Among those from out of town attending the funeral of Mr. Dan Upchurch at Burwell Saturday were Mr. J. L. Upchurch, Mr. and Mrs. J. Parris, Miss Mary Joe Upchurch, of Cullman, Ala., Mr. and Mrs. J. P. Johnson, Bonalyn, Carrie Johnson and Margaret Johnson of Birmingham, Mr. and Mrs. T. H. Hyatt, Miss Carolyn, Lenett Upchurch, of Birmingham, Mr. Jay Johnson of Carrollton, Mr. James Upchurch, of Birmingham, Mr. Maynard Watson of Birmingham, and Mrs. H. E. Gillebeau, Barbara Ann Gillebeau, Mrs. H. E. Craven, Miss June Alexander, Mr. Harold Craven of Wood Craven, of Atlanta, Mrs. Judge Chambers of Villa Rica, Mr. and Mrs. Prater of Villa Rica and Mr. and Mrs. Prater of Bremen.

#### CALL OF THANKS

We wish to thank our dear departed brother and friends for their many kind words during the sickness of our son and brother, and for the beautiful flowers and expressions of sympathy which were sent. May God bless each of you. - Mr. and Mrs. T. H. Upchurch, J. P. Johnson, Maynard Upchurch, H. E. Upchurch, C. I. Upchurch, J. S. Upchurch, J. A. Upchurch, T. R. Upchurch.

-card used-



Singing Tower  
Florida

26

In Memoriam: Dan S. Upchurch

Many hearts were saddened on Thursday Sept. 9 1937  
by the message that Dan had passed away, at the T.C.I.  
Hospital, Birmingham, Ala. But this feeling of sadness  
was unmixed with gratitude on the part of those who  
knew him.

Our community has lost one of its best young men, one  
who was modest, true and faithful. His faith in God was  
manifested thru his long days of suffering, for never a  
murmur but a smile for those who administered unto him  
and those who came to see him.

His loyalty to his church and devotion to his Mother  
and Father, had won him a place in the hearts of all who  
knew him. Not dead but only promoted, he has entered the  
Gates above; and there neath the smile of his Master will  
### continue his labor of love. We feel keenly our great  
loss but do not weep for him as those who have no hope.

For blessed are the dead who die in the Lord.

No, not cold beneath the grasses,  
Not close-walled within the tomb:  
Rather, in our Father's mansion  
Living in another room.

Shall I doubt my Father's mercy?  
Shall I think of death as gloom,  
Or the stepping o'er the threshold  
To a bigger, brighter room?

## A TRIBUTE TO DAN UPCHURCH

"There is but a step between life and death."

A young life, as bright as a morning dream, has taken that step and entered the "City whose Builder and Maker is God." A life that was growing, more radiantly beautiful each step of the way.

Each succeeding tomorrow of this life was a day full of happiness and joy, brighter than yesterday; the weeks grew into years and at the close of twenty-two short years Dan crossed that narrow margin that lies between time and eternity.

His life was spread out before him as an un-opened book. Each morning he turned an un-read page, and found it more beautiful and fascinating than the day previous. But all too soon it seems to us the last page was read, the lids closed and Dan had registered in Heaven's "Book of Life."

Dan loved life, with all its charms and mysteries, and looked at it from a point of view that gave him a grand and balanced outlook. His attitude toward people was such that he won the love and respect of all ages. He was a friend of the old, a companion of the middle age and a pal to the young.

He did not feel the world was due him anything except a chance to prove his willingness and ability to play his part in the great drama of life. The places of trust that were given him proved that he fully understood the meaning of stewardship.

At the age of five years he joined the Church, and as he grew into young manhood those church vows were woven into the fabric of his life.

Dan possessed a very winning personality, was warm-hearted kind and courteous to the last degree. He always had a smile, and a hearty hand-shake for every one. His courage was the kind we all should cultivate. Courage to stand for the right always; courage to face death calmly and quietly.

His short life brought great joy and happiness to his home. To his parents he was a dutiful son, considerate, kind, and loving. His going has cast a gloom of sorrow that only Heaven can heal.

Dan's faith in God and humanity was strong; his hopes were well grounded, his foundations were firm.

In the last chapter of his book Faith, and Hope were indelibly written. Just before he closed the book at four o'clock Sept. 9, 37 the word victory was written across the last page.

*This was read over at Memorial Service, Smith's Chapel - 1st Sunday in Sept 1938 by Miss E. Merrill -*

1937

28

On Sunday 10 1937 we, the children began to wind our way home for Fathers' birthday. As it was only one month since we met on the sad mission of parting with Dan, oh, so sad to be without him, but for Daddy's sake we wanted to come home and share the day with him and Mother. All the children came except one grandson, Jay Johnson. Daddy was so glad to see us, they all arrived early, going ## to the cemetery both morning and afternoon. First time we or any of us had been since the stone had been placed, Shields and I carried a large bunch of Daliah's, against the white, it did look so pretty. After the greetings were over the ladies, went to the kitchen to fix dinner and such a good dinner we had. M Mother, Daddy & Mr Johnson sat at the table while the rest stood. Mr. Joe McGibbony returned thanks and each showed he really did enjoy the dinner. Afternoon was spent in enjoying each other, taking pictures and the time passed so quickly for about four o'clock all began their journey home. Every one express the wish to have the birthday celebration just for the children as we enjoyed it lots more just the family to be together. Those present, Mr & Mrs Homer Upchurch, Don, Stan & Harold Mr & Mrs Wayne Upchurch Miss Christine Upchurch, Fred, and Mr & Mrs Charles Upchurch, Mary & Lake Mr Glenn Upchurch, Mr James Upchurch Mr & Mrs Shields Upchurch, James Mr & Mrs Paul Johnson, Bobbie & Margeret



Miss Kay Johnson  
Mr & Mrs Bernard Watson  
Mr Jim Johnson  
Mr & Mrs Ralph Upchurch, Clois Caroline, Hyatt & Lenette  
Mr & Mrs Abner Upchurch, Barbour  
Mr Joe McElboney  
Mr Hayward Upchurch  
Dr. & Mrs R E Gullibeau, Barbour & Ann  
Mr & Mrs Paul Ashmore, Myra, J R Lynn  
and the Guest of Honour Mr & Mrs Upchurch

1938

On Sunday October 9, 1938<sup>8</sup> arrived to celebrate the "Birthday", for there are three birthdays now, Father's, Lake's, Lanett's and Our anniversary. About 8 o'clock the children, grand, great grand children began to arrive to help them enjoy the day. It was pleasant and warm, just an ideal day for the celebration. Happy greetings were exchanged and a surprise came in the form of Father's brother Joe and family from Cullman came to spend the day with him. The men all gathered in the yard to chat, while the ladies went to the kitchen to help with lunch, some to church each enjoying each other, the children in the yard playing.

At noon the lunch was spreaded on tables in the yard under the shades, and how good it looked, for the table was loaded with good things to eat, such as ham, barbarcue, chicken and dressing, beef roast, fried chicken, pickles, tomato salad, fruit, congealed & vegetable salads, crax, potato chips, celery, lettuce, cakes of all kinds, (the Birthday cake was angel food), coffee and tea. Thanks were returned by Uncle Joe Upchurch, after which every one seemed to enjoy the dinner to the fullest. We missed Jay, Kay and Gleen. Gleen had left for the C.C.C. only the week before. After dinner the crowd divided in groups, enjoying each other, for how happy and thankful that no one had passed on since the last birthday. The time arrived to early for each to wind his way home, but at 4 o'clock we began to leave, for the day had been full of love and fellowship for those whose birthday we had had the privelege of enjoying. Those present were as follows:

1939-

Mr & Mrs Homer Upchurch, Stan, Don, Harold, Christine

Mr & Mrs Wayne Upchurch

Mr & Mrs Paul Johnson, Bobbie, Margaret,

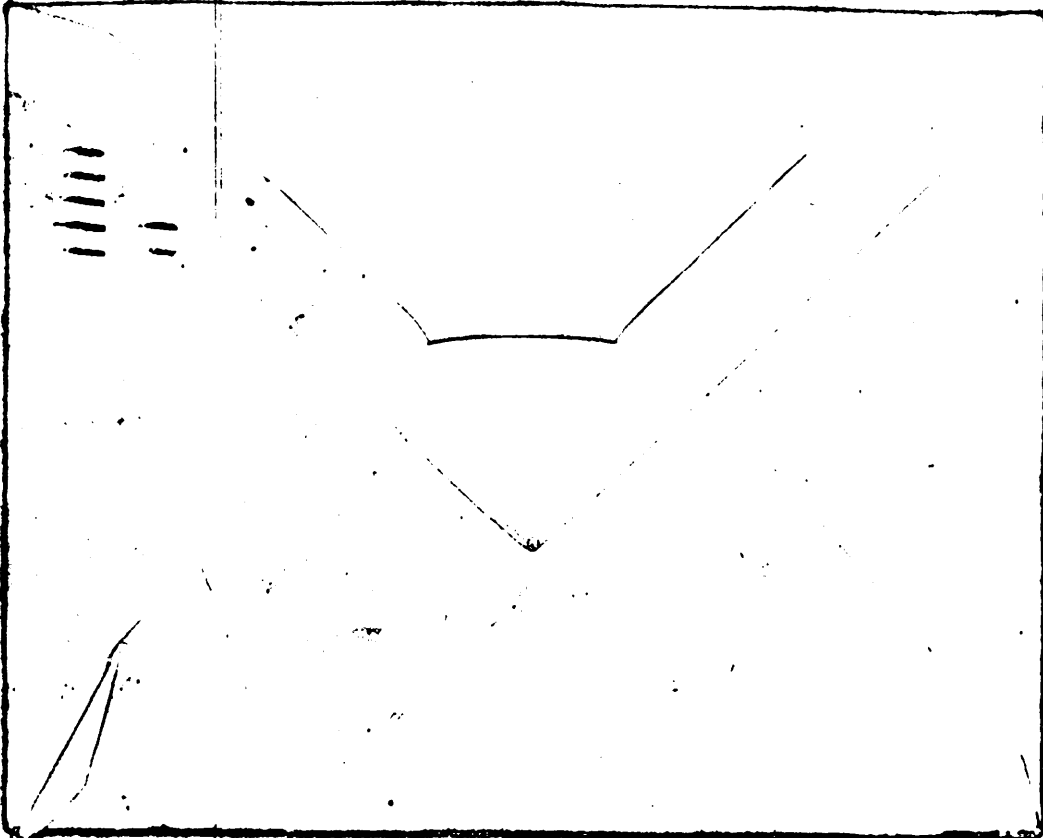
Mr, & Mrs Bernard Watson

Mr & Mrs Charles Upchurch, Lake, Mary, James

Mr & Mrs Shields Upchurch, James

Mr & Mrs Ralph Upchurch

Lynda Page Watson Born July 16 - 1939



32

"Howdy, Folks! Well, I'm 'It,"  
Thought Mom and Pop would have a fit.  
Poppa thought a boy I'd be;  
Momma guessed a girl you see;  
Well, I couldn't please them all  
And when no longer I could stall  
I decided: Away with folly!  
I'll just be a girl, by golly.  
But now, down to some facts and figgers:  
I weigh 6 pounds, 14 ounces, by jiggers!  
The hour: 2:50 A. M. by Poppa's Watch!  
The doctor said I was just top notch!  
He also said Mom's doing swell;  
(We can both go home when she's all well.)  
The date--Oh, yes--I forgot to say,  
July 16 was the glorious day!"

Linda Paige Watson.

1939

The children, grand children and great grandchildren brother and sister met at the home of Mr Tom Upchurch, Oct 8, 1939 to celebrate his 80th Birthday, his grandson Lake Upchurch ### 16 birthday and Lanette Upchurch 3rd birthday. Everyon of his decendants living were present. At noon the lunch was spread under the shades of the trees in the yard. The day was fine, not to cold or to hot just and ideal day for the happy occasion. Bro Gresham of Bowdon gave thanks, the lunch was enjoyed by all and after then the afternoon was spent in conversation, enjoying each other's fellowship. Several friends called in the afternoon, from Bowdon, Bremen and Atlanta to extend their greetings.

Those present were:

Miss Katherine Moon  
 Mr & Mrs T H Upchurch & Maynard Hosts  
 Mr & Mrs J A Upchurch Barbara & Stanley  
 Mr & Mrs J P Johnson, Bobby & Margaret  
 Miss Kay Johnson  
 Mr & Mrs Bernard Watson, & Page  
 Mr & Mrs T. R. Upchurch, Hyatt, Clois,  
 Carolyn & Lanette  
 Mr James Upchurch, Glenn Upchurch  
 Mr P Johnson  
 Mr James Miller  
 Mr & Mrs H E Upchurch, Stan & Christine  
 Mr & Mrs C L Upchurch Lake & Mary  
 Mr & Mrs Paul Ashmore, Lynn & Dan  
 Mr Joe McGiboney, Mr John McGiboney  
 Mr Harold Upchurch  
 Dr & Mrs R E Guillebeau, Barbera & Ann  
 Mr Merrell Carpenter  
 Mr & Mrs J S Upchurch, James  
 Rev & Mrs W J Lovvorn  
 Mr Joe Upchurch  
 Mr & Mrs Ira Parris  
 Mr & Mrs Wynne Upchurch  
 Mr Elrod  
 Mrs I H P Peck  
 Mr & Mrs Gresham

Bowdon Ga  
 Burwell Ga.  
 Birmingham Ala.  
 " "  
 " "  
 " "  
 " "  
 Chattanooga Tenn  
 Birmingham Ala  
 Burwell Ga  
 " "  
 " "  
 " "  
 Marietta, Ga.  
 Atlanta, Ga  
 " "  
 Carrollton Ga  
 " "  
 Cullman Ala  
 " "  
 Carrollton Ga  
 " "  
 Bowdon "  
 " "

### Upchurch Gather Barwell

Gathering at the home of Mr. and Mrs. T. H. Upchurch, Barwell, Sunday, Oct. 10, 1954. Members of the Upchurch family enjoyed a day of reunion, the occasion featuring various anniversaries of several members of the group, paramount among them being the eightieth birthday anniversary of Mr. Upchurch. In addition, it was also the birthday anniversaries of his and Mrs. Upchurch's two grandchildren, Lanette Upchurch, of Birmingham, Ala., and Lake Upchurch of Barwell. The day also marked the seventeenth wedding anniversary of the couple's son and daughter, Mr. and Mrs. Shields Upchurch, of Carrollton.

At the noon hour an informal dinner was enjoyed which was served picnic fashion at tables arranged on the lawn. Preceding the meal Rev. Gresham, of Bowdon, offered an impromptu talk in appreciation of the united celebration of the occasion.

During the afternoon numerous friends from Atlanta, Bowdon, and Bremen called to extend their felicitations.

Present for the day were Mr. Upchurch's sister, Mrs. W. J. Lovvorn, and Rev. Lovvorn, Carrollton; his brother, Mr. Joe Upchurch, Cullman, Ala.; Mr. and Mrs. J. S. Upchurch and son, James, and Mr. and Mrs. Wayne Upchurch, Carrollton; Mr. and Mrs. J. A. Upchurch and children, Barbara and Stanley, Mr. and Mrs. H. E. Upchurch and children, Stan and Christine, Mr. and Mrs. Paul Ashmore and children, Lynn and Don; Mr. and Mrs. T. H. Upchurch and son, Maynard; Mr. and Mrs. C. L. Upchurch and children, Lake and

James; J. M. Ramsey and Mr. Ramsey, Barwell; Mr. and Mrs. J. E. Johnson and children, Bobby, Mr. and Mrs. Edward Watson, Edge Watson, Mr. and Mrs. T. R. Upchurch and children, Hyatt, Clou, Carolyn; Miss Lanette, Miss Kay Johnson, Mr. James Upchurch, Glenn Upchurch, Don Upchurch, and James Miller of Birmingham, Ala.; Mr. J. P. Johnson, Carrollton, Tenn.; Mr. J. E. Upchurch, Marietta, Ga.; and Mrs. B. E. Galleher and children, Barbara and Ann, Mr. Merrell Carpenter, Atlanta; Mr. I. H. P. Beck, Jr., and Mrs. Gresham, and Miss Katherine Moon, Bowdon.

### Upchurch Relatives Sunday At Barwell Reunion

Gathering at the home of Mr. and Mrs. T. H. Upchurch at Barwell Sunday, Oct. 10, 1954. Members of the Upchurch family enjoyed a day of reunion, the occasion featuring various anniversaries of several members of the group, paramount among these being the eightieth birthday anniversary of Mr. Upchurch. In addition, it was also the birthday anniversaries of his and Mrs. Upchurch's two grandchildren, Lanette Upchurch, of Birmingham, Ala., and Lake Upchurch of Barwell. The day also marked the seventeenth wedding anniversary of the couple's son and daughter, Mr. and Mrs. Shields Upchurch, of Carrollton.

At the noon hour an informal dinner was enjoyed which was served picnic fashion at tables arranged on the lawn. Preceding the meal Rev. Gresham, of Bowdon, offered an impromptu talk in appreciation of the united celebration of the occasion.

During the afternoon numerous friends from Atlanta, Bowdon, and Bremen called to extend their felicitations.

Present for the day were Mr. Upchurch's sister, Mrs. W. J. Lovvorn, and Rev. Lovvorn, Carrollton; his brother, Mr. Joe Upchurch, Cullman, Ala.; Mr. and Mrs. J. S. Upchurch and son, James, and Mr. and Mrs. Wayne Upchurch, Carrollton; Mr. and Mrs. J. A. Upchurch and children; Barbara and Stanley, Mr. and Mrs. H. E. Upchurch and children, Stan and Christine, Mr. and Mrs. Paul Ashmore and children, Lynn and Don; Mr. and Mrs. T. H. Upchurch and son, Maynard; Mr. and Mrs. C. L. Upchurch and children, Lake and James; J. M. Ramsey and Mr. Ramsey, Barwell; Mr. and Mrs. J. E. Johnson and children, Bobby, Mr. and Mrs. Edward Watson, Edge Watson, Mr. and Mrs. T. R. Upchurch and children, Hyatt, Clou, Carolyn; Miss Lanette, Miss Kay Johnson, Mr. James Upchurch, Glenn Upchurch, Don Upchurch, and James Miller of Birmingham, Ala.; Mr. J. P. Johnson, Carrollton, Tenn.; Mr. J. E. Upchurch, Marietta, Ga.; and Mrs. B. E. Galleher and children, Barbara and Ann, Mr. Merrell Carpenter, Atlanta; Mrs. I. H. P. Beck, Jr., Rev. and Mrs. Gresham, and Miss Katherine Moon, Bowdon.

36  
Oct 8 - 1940

Well the time for celebration of the birthday is here and what a beautiful day, all sunshine and warm enough to stay out of doors where we can enjoy the out-doors.

Some of the children came in, the night before, but most of them began to gather early in the morning. They all decided this year that they would go in together and by Daddy an easy chair, so they did and bought a beautiful red tapettry reclining one, one he could sit and rest in during the long winter days, enough was paid in for Mother to have one also, a rocker to match was bought for her.

At noon the lunch was placed on tables out in the yard and such a good dinner, ham, chicken, beef, beef-loaf, pickles, dressing, chips, salads, pies, custards, cakes & etc. Thanks was returned by Uncle Jep after which each and all enjoyed the dinner.

All the children and grandchildren were present, except Glenn, Don & Merrell, each having to work. We had three new members added to our family circle this year. Mr James Miller who married Miss Kay Johnson on Oct. 15, 1939. Miss Katherine Moon who married Glenn Upchurch, Dec. 24, 1939, Mrs Ethel Rowe who married Mr Joe McGiboney, March 10, 1940.

The afternoon was spent in love and fellowship and in enjoying each other fellowship. Several friends called in afternoon, Mr John Upchurch & family, Mr & Mrs Gus Copeland Mr & Mrs E. Sims and Mrs Lillian Sims. At 4 o'clock every one began thinking of home so we bid goodbye, having had a great day together.

Those present:

Mr Joe Upchurch

W & Mrs Joe Lovvorn

Mr & Mrs James Miller

(Oct 15, -39)

T. R. Upchurch

R E Guillebeau & Mrs Guillebeau,

Barbour & Ann Guillebeau

Mr & Mrs Ira Barrish

" " Paul Johnson,

" Maynard Upchurch

Lake Upchurch

James Upchurch

James Handedley Uncle Joe Grandson

Mr & Mrs Bernard Watson, & Page Watson

Mr & Mrs Shields Upchurch & James

Miss Bobbie Johnson

Mr Hyatt Upchurch

Miss Mary Upchurch

" Clois Upchurch

" Carolyn Upchurch

Mr & Mrs Charles Upchurch

Mrs Catherine Upchurch (Dec. 24--39)

Miss Margaret Johnson

Mrs Ralph Upchurch & Lynette

Mr & Mrs H E Upchurch

Miss Christine Upchurch

Mr Stan Upchurch

Mr Harold Upchurch

Mr J P Johnson

Mr & Mrs Abner Upchurch Stanley & Barbour

Mr & Mrs Joe McGiboney (March 10-4-)

Mr John McGiboney

Mr & Mrs Auther Holmes

Mr & Mrs Wayne Upchurch

Mr & Mrs T H Upchurch



So much has happened during the year, 37  
 I am placing clipping of each extent -  
 James Thomas Johnson

**Memory Of**  
**James T. Johnson**

On April 30, 1941, the dearest and best friend on earth to me passed on into eternity.

Uncle Jim was just an uncle to me by marriage, but he was more than that to me. He was a father to me. I had spent the most of my time with him with the exception of a few years. My mother died when I was three years old and my father when I was eight, so he took me into his home.

He had four children, Mrs. I. W. Tarpley, Route 2; Mrs. C. I. Keltner, Birmingham, J. P. Johnson, Birmingham; and one stepchild, Mrs. Walter Crumbley, Bowdon Junction.

His first wife died leaving these children quite young. He then was married to Miss Fannie Jeter and passed away eleven years ago.

Uncle Jim's life was one of outstanding character. His life was a monument which spoke for itself. His friends were not few but many.

Burwell was his home for quite awhile where he was an outstanding farmer in that section and won the love and esteem of all who knew him.

He was a member of the Burwell Methodist church and kept his membership there even after he moved to Carrollton.

He moved to Carrollton in 1916 where he was employed by the county, first as guard at the county barracks and later he was employed as superintendent of the Arms House. It was here in 1930 he lost his last wife. Since I was there with him it was my pleasure to help him carry on this work for four or five years.

His life was one that was lived more for others than himself. For all the years he worked for the county he cared for sick and feeble old people. Never did he receive a cent but always turned out for them giving them his tender smile and words of comfort. He won the love of each one there.

In 1937 he was forced to give up his job of caring for the old folks since he was becoming feeble himself.

In my father's house are many mansions if it were not so I would have told you. I go to prepare a place for you.

And if I go to prepare a place for you I will come again, and receive you unto myself, that where I am, there ye may be also.

These are words of comfort that gives us courage to carry on and if we will let God into our lives we'll see His smiling face and win a golden crown.

The dearest and dearest friend on earth passed on into eternity. He closed his eyes to peaceful rest and gone to dwell with the angels who thought best his work here on earth is done, and a golden crown for himself he has won.

His golden deeds here are done and he's gone where there'll be no setting sun. I'll never forget the last clasp of his hand, the last goodbye, but still I hope to dwell with him in bliss.

Written by one who loved him -  
 Mrs. Annie Smith Jeter Smith.

**Services For**  
**Frank Alexander**  
**Bowdon**

7/9/41

Funeral services for Frank Alexander, 69, who died this afternoon (Thursday) at 1 o'clock at the Bowdon Baptist Church of which he was a member. The body will lie in state until 4 at the church. Interment will be at Smith's Chapel.

Mr. Alexander died this morning at 2 o'clock at his home in Bowdon. He had been in failing health for the past several months.

Mr. Alexander was born in this section and his service was due to him. He was engaged in business in Bowdon at the Bowdon Grocery Company. He was in the mercantile business at Burwell for a number of years and also in business elsewhere. He would have been 70 years old on December 10.

Mr. Alexander was married twice, first in 1894 to Miss Eloise Freeman who preceded him in death and in 1930 to Mrs. Yates, who survives. Other survivors include two daughters, Mrs. Roy Davis, Bowdon and Mrs. P. Craven, Carrollton, and one son, Stinson Alexander of Cincinnati, two step-sons, Frank Yates of Atlanta, and Earl Yates of Bowdon; two brothers, Paul Alexander, Carrollton and D. A. Alexander, Burwell and two sisters, Mrs. Frank Tarpley, Dublin and Mrs. Chas. Bausch, Columbus. He had eight grandchildren. A son, Mrs. Lee Parker died a number of years ago.

Uncle Jim Johnson  
 Departed this life  
 on Apr. 30-1941 after  
 months of suffering,  
 one who bore it cheerfully  
 & who appreciated each  
 kindness shown him.  
 A good man has gone  
 to rest.

Mr. Frank passed  
 away at his home  
 in Bowdon Wed July 8-41.

My 2 step grandmothers,  
 Fannie Jeter Johnson and  
 Beulah Jeter Upchurch,  
 were half sisters.

These memories were suggested & appointed by all one of the staff members that have had, can get out of the 1941 meeting

**Smith's Chapel Memorial Program Announced**  
 9/17/41

Annual homecoming and memorial services will be held at Smith's Chapel Sunday with the following program:

Beginning of graves at 10 o'clock, music will be directed by R. T. Sherrell, welcome, W. E. Postley, response, E. H. Hearns, Theory of Memorial Day, Miss Addie Thurnham, sermon at 11 o'clock, the Rev. Jop Lovvorn.

Tribute will be paid to the memory of the following:

I. P. Beck will speak in memory of the Rev. J. T. Copelan, Mrs. H. M. Urquhart, Mrs. E. H. Postley, Mrs. W. E. Postley, Mrs. E. H. Sherrell, Mrs. Rob Alexander, E. H. Alexander, Mrs. Estie Alexander, Mrs. G. W. Digby, W. M. Crumley, J. T. Johnson, Mrs. Etta Alexander, Henry Gibson, Jesse Griffith, Charles Griffith, W. W. Lambert, Gus Copelan, Floyd Johnson, Henry Fewer.

A song will be sung in memory of Lynde Baker.

Talk and closing prayer by the Rev. Wallace Wiggins.

**Rev. H. H. Smith, New Bishop**

... Bishop Smith was elected in the ...

**Methodist Pastor At**

As a young man, the Rev. Mr. Copelan also resided at Shoam and was ed to a barbecue and homecoming, and also to visit a friend, John H. Copelan, who was away ill when the accident occurred, which collided with that of the pastor on the highway near the ... were all reported injured and are improving. Mr. Copelan was taken to a Madison hospital where he lived until Friday, when he died.

Sunday school made his wife, three daughters, Misses Helen and Eve, and Mrs. M. W. Dickson, Mrs. H. H. Postley, Mrs. E. H. Sherrell, Mrs. G. W. Digby, W. M. Crumley, J. T. Johnson, Mrs. Etta Alexander, Henry Gibson, Jesse Griffith, Charles Griffith, W. W. Lambert, Gus Copelan, Floyd Johnson, Henry Fewer.

**Born at White Plains**

Born June 19, 1878, at White Plains, the Rev. Mr. Copelan was 62 years of age and was the son of the late Mr. and Mrs. J. J. Copelan. He spent his early life at White Plains and attended Young Harris College and Vanderbilt University. He entered the Methodist Conference in 1909 in Alabama, his first charge in Georgia being at Crawfordsville. He also served at Athens, Lagrange, Atlanta and other cities in the state. This was his second year as pastor at Howdon and when during the past week he was actively preparing for the revival scheduled to begin at Howdon July 19.

Methodist Pastor At

... the Rev. H. H. Postley, a class member was in charge, with several other ministers assisting. Favorite songs of the pastor, "I Love to Tell the Story" and "How Firm A Foundation" were sung and a selection, "I am Satisfied with Jesus" rendered by Mrs. W. D. Jones. The church was overflowing with friends and relatives who had gathered to pay tribute.

Methodist Pastor At

... the Rev. H. H. Postley, a class member was in charge, with several other ministers assisting. Favorite songs of the pastor, "I Love to Tell the Story" and "How Firm A Foundation" were sung and a selection, "I am Satisfied with Jesus" rendered by Mrs. W. D. Jones. The church was overflowing with friends and relatives who had gathered to pay tribute.

**Methodist Pastor At**

... the Rev. H. H. Postley, a class member was in charge, with several other ministers assisting. Favorite songs of the pastor, "I Love to Tell the Story" and "How Firm A Foundation" were sung and a selection, "I am Satisfied with Jesus" rendered by Mrs. W. D. Jones. The church was overflowing with friends and relatives who had gathered to pay tribute.

to talk about

**Baby Girl For Upchurchs**

6/18/41

... a former Hurwell boy.

... a former Hurwell boy.

For Copelan was killed 7/8/41. He was with me at the summer home last year (1940). A man we all know.

**Mrs. Charles Upchurch has returned home from a visit to her son, Glyn Upchurch, in Birmingham.**

... of a fine boy, named Charles Robert.

The announcement of Mrs. Charles Upchurch's arrival in family. Son, Charles Robert - Glyn Upchurch - a daughter, Bonnie to Mrs. Charles Upchurch

1941

The 5th of October was selected for the day this year to celebrate the birthdays, the day was warm and beautiful, just a day to enjoy a gathering of the clan. Most of the children arrived early and spent the morning in exchanging greetings for some of the children had not been since the last birthday. Uncle Joe, Alma, Knox and Mr & Mrs Martin Dan and J. P Johnson were the ones who had been in a long time. At noon a bountiful dinner with tea, lemonade was enjoyed to the fullest, for there was present around 56. Paul Robbie and Abner were the only ones absent this year.

Much has happen, several have passed on, Uncle Jim Johnson Bro. Copeland and Guss Copeland. having died during the year.

Two new great grand babies were there to get the praise and admiration of all the family, Charles Robert, son of Mr & Mrs Glynn Upchurch, Bonnie Daughter of Mr & Mrs Wayne Upchurch.

The new Pastor Rev Wiggins came for lunch and several other friend. The afternoon was spent in conversation with different groups and time passed so quickly for it was 4:30 before we realized it was leaving time. Do hope that we all can meet together again next year.

1942"

The Upchurch's met at the home place Oct. 4, 1942 to celebrate the birthdays. We arrived at 9 o'clock to find that we (Shields) family were the first to meet. James Miller & wife & baby Jimmie next, the Guillebeaus next. About 11 o'clock all had arrived except those too far away (in the service of their country.) after greetings were exchanged, the ladies began the fixing of the lunch, which was spread on the lawn, such a good looking table, ---ham, chicken, loaf, beef, dressing, stew, with pickles, pies, cakes, sandwiches, custards and coffee. Every one enjoyed the dinner.

One new member was added to the family. Don had married in March, 1942 Miss Estelle Key and she was given a glad welcome in the family. A memorianam was found and read about great-grandfather Upchurch, which everyone enjoyed for that is the first record we children have had of father Upchurch's family. Pictures were made of all the groups--48 members present.

Mr & Mrs Grady Jeter & daughter, & husband, Mr & Mrs Curtis Harrison & baby, Mr Jess Griffis, Mr Eady called during the afternoon.

Time passed too quickly, at 5:20 each family began to bid farewell going to their homes, hoping that we could all be together next birthday. The thought of Mr Upchurch having to break up was the only cloud that bothered or marred the day.

His youngest boy, Maynard must leave Nov. 15 for the army.

Maynard did not have to go he was deferred and placed in 4F.

James Wearer Miller Jr. Born March 9 - 1942

1943

This year while May's family was out in August, it was decided not to have the birthday celebration. Because so many of grandsons were in army and gas shortage.

As the time came nearer, we those who lived around him, planned to go. Oct 3rd we met for Mr Upchurch was wanting us to come. said would be too lonesome not to have some of the children with him. Sat about noon Uncle Joe, Pierce Mr & Mrs Parish of Cullman drove up and spent the night. The rest Guillebeau and family, Charles and family, (Lake left for the army on Sept. 27 but came home for Sunday) Abner and family, and Shields and family met about 11 o'clock, It was quite a glad crowd for it had been such a long time since we had all been together. Dinner was served under the shades in the yard. Such a good dinner, with a big birthday cake, with dates 1859--1943 on it.

Everyone really enjoyed the dinner but did miss the others and wished for them. The afternoon passed to quickly for us. Two more have left for the army, Lake, and Stan.

The men decided to have the birthday next year for Mr Upchurch does not want us to miss another year. He really looks forward to it from year to year. About 5:30 we all left for home wishing Mr Upchurch many more happy days.

Those present: Charles, May, Mary, Lake, Guillebeau, Mary, Barbour, Ann, Abner, Willa, Barbour, Tommie, Uncle Joe, Pierce from Fla. Mr & Mrs Paris, Maynard, Mr Tom, Mother, Shields, Evie, and James.

*A baby boy was born to Mr and Mrs Wayne Upchurch in Griffin, Georgia*

1944

Gathering at the home of Mr & Mrs C. L. Upchurch at Bullwell.

Sunday October 8, 1944, member of the Upchurch family enjoyed a day of renewing old ties, for it had been a year or more since some of the clan had been together. This was Mr Upchurch 85th birthday, 21st birthday of Lake Upchurch, 8th birthday of Lynette and 22d anniversary of Mr & Mrs J. S. Upchurch.

We the Shields Crowd had not planned to go, for James was operated on and I was afraid he (the Dr.) would not let us take him but Shields went over to see him and he said he could go provided he went to bed and stayed only about 2 hours and we did enjoy it for it was a treat to get to see all the clan.

At noon hour an informal dinner was enjoyed by all, which was served picnic fashion at tables arranged under the shade trees in the yard. Thanks were offered by Rev. W. J. Lovvorn. The afternoon was spent in renewing family ties, and thinking of the brother Mr Joe Upchurch who has been ill for several weeks. and the 5 grandsons who are in the arm forces, Merrell, Carpenter, James Upchurch, Jay Johnson, Stan Upchurch, and Hyatt Upchurch.

We welcome a new bride, Mrs Harold Upchurch, they were married in March 1944. Those we missed, Una, Christine, Son, Estelle Wayne and family, Bonnilynand Bernard. We will all look forward to having all the family next year. Those present,

Mr & Mrs J. P. Johnson, Margaret and Bobbie, Paige Watson  
Mr & Mrs James Miller, Jimmie  
Mrs & Mrs T. R. Upchurch, Clois, Caroline, Lynette  
Mr & Mrs Glynn Upchurch & Bobbie of Birmingham  
Mr H. E. Upchurch, Mr & Mrs Harold Upchurch of Chattanooga Tenn

43

Mr & Mrs R. E. Guillebeau, Barbour and Ann, Miss Lenair Guillebeau of Atlanta.

Mr & Mrs J S Upchurch, James, Carrollton

Mr & Mrs Arthur Holmes Mt Zion

Mr & Mrs Tom Upchurch, Mr & Mrs C. L. Upchurch, Lake, Mary

Mr & Mrs Abner Upchurch, Barbour, Tommie

Maynard Upchurch, Mr & Mrs Joe McGiboney, of Burwell.

Miss Wilma Hamrick, Miss Bettie Jean Chance, Carrollton.

Mr & Mrs Harvey Copeland, Harvey Jr. Carrollton

Rev & Mrs W. J. Lovvorn Carrollton

Mr & Mrs Rob Alexander called in the afternoon.

## Upchurch Reunion At Burwell Sunday

Gathering at the home of Mr. and Mrs. C. L. Upchurch at Burwell Sunday October 10th, members of the Upchurch family enjoyed a day of reunion, the occasion featuring the 85th birthday of Mr. Tom Upchurch, 21st birthday of Pfc. Lake Upchurch, 8th birthday of Lynette Upchurch, and the 22nd anniversary of Mr. and Mrs. J. S. Upchurch.

At noon an informal dinner was enjoyed, which was served picnic fashion at tables arranged under shade trees on the lawn. Thanks were offered by Rev. W. J. Lovvorn. The afternoon was spent in renewing family ties, and thinking of the 5 grandsons who are serving in the armed forces, Merrell Carpenter, James Upchurch, Jay Johnson, Stan Upchurch and Hyatt Upchurch, and the brother Mr. Joe Upchurch who is ill.

Those present were: Mr. and Mrs. J. P. Johnson, Margaret, Bobbie, Paige Watson; Mr. and Mrs. James Miller, Jimmie; Mr. and Mrs. J. R. Upchurch, Clois, Cathline L. Carter; Mr. and Mrs. Glyn Upchurch, Beale, from Birmingham, Ala.; Mr. H. E. Upchurch, Mr. and Mrs. Harold Upchurch, Chattanooga, Tenn.; Mr. and Mrs. R. E. Guillebeau, Barbor and Ann, Miss Lenair Guillebeau, Atlanta, Ga.; Mr. and Mrs. J. S. Upchurch, James; Mr. and Mrs. Harvey Copeland, Harvey, Jr.; Rev. and Mrs. W. J. Lovvorn, Miss Wilma Hamrick, Miss Bettie Jean Chance from Carrollton; Mr. and Mrs. Arthur Holmes, Mt. Zion, Ga.; Mr. and Mrs. J. A. Upchurch, Barbour and Tommie; Mr. and Mrs. Tom Upchurch, Maynard Upchurch; Mr. and Mrs. C. L. Upchurch, Lake, Mary; Mr. and Mrs. J. H. McGiboney; Mr. and Mrs. Bob Alexander of Burwell Ga.

1944-----1945

Uncle Joe Upchurch was taken sick in September and was not able to come to the Birthday Celebration. He died Jan 12, 1945 and was burried at Culman Ala. Jan 13, 1945. Shields and Charles went with the Walker family from Bremen to the funeral.

Karen Lynn Miller was born Feb 9 1945, to Mr and Mrs James Miller.

Lake Upchurch left for overseas on March 1945. Glyn has been reexamined and is expecting to go any day.

James Upchurch and Wilma Hamrick were married Sunday March 26, 45 at the Tabernacle, had real sweet service. Married the same day the announcement came out in the papers. Tried to have a quite wedding, which was held at 5 o'clock about 100 present. Shields was James' best man. Mary Helen was maid of honor, ushers were, Coach Bowen, Mr Charlie Sable, Mr Walter New, Mr Hamrick gave the bride away, had ring ceremony. Rev E. G. Kilpatrick performed ceremony. Left immediately for Atlanta. Cal and Velma carrying them up to the city.

#### HAMRICK UPCHURCH

Mr. and Mrs. James Mayfield Hamrick, of Carrollton, announce the engagement of their daughter, Wilma Ann, to James Shields Upchurch, son of Mr. and Mrs. J. S. Upchurch, of Carrollton, the marriage to take place in June at the Carrollton Baptist Tabernacle.



2/2 785  
**Miss Wilma Hamrick  
Shields Upchurch, Jr.**

The Baptist Tabernacle church was the scene of beauty Saturday afternoon, when Miss Wilma Hamrick and Shields Upchurch, Jr., spoke their vows before a few friends and relatives, with Rev. E. G. Kilpatrick officiating. The church was beautiful in its decorations of China lilies, violets, fern and candelabras. The bride, who entered with her father J. M. Hamrick, was beautifully gowned in navy blue with black accessories and carried a bouquet of carnations and fern. The only attendant was the bride's sister, Mrs. Dewey Smith who was dressed in sheer black and carried the same flowers. Shields Upchurch, Sr., was the groom's best man. Miss Mildred Lovvorn presented the musical music, playing "The Voice That Breathed Ever Eden," "The Sweetest Story Ever Told," "Because," "Intermezzo," "Viennese Love Song," "Tengrit's Wedding March" and Mendelsohn's Wedding March.

The young couple left at once for a short wedding trip after which they will be at home to their friends at the home of Mr. and Mrs. Shields Upchurch Sr.

On Oct 19-1945, a Daughter was born to Mr + Mrs Bernard Watow, named Kirby Merrell.

**Hamrick-Upchurch  
Wedding Announced**

CARROLLTON, Ga.—Mr. and Mrs. J. M. Hamrick announce the marriage of their daughter, Miss Milma Ann Hamrick, to James S. Upchurch. The wedding took place recently at the Baptist Tabernacle church in Carrollton. Rev. E. G. Kilpatrick performed the ceremony before an audience decorated with Easter lilies and fern interspersed with candelabra holding burning white tapers. The music was presented by Miss Mildred Lovvorn, organist. J. S. Upchurch, father of the

groom, served as best man. The ushers included Walter New, Ralph Bowen and Charlie Cable, of Carrollton.

The bride's only sister, Mrs. Dewey Smith, was matron of honor and only attendant. She wore sheer black and black accessories and shoulder spray of yellow snapdragons.

The bride, who was given in marriage by her father, wore a navy blue and sheer white frock. She carried a bouquet of white carnations, and lilies of the valley.

Mr and Mrs. Upchurch left for a wedding trip, after which they will reside at 29 North Cliff street. Mrs. Upchurch is the sister of J. T. Upchurch, now residing in Carrollton, and the bride's father-in-law. The groom resides in Carrollton.

46  
On September 9, 1935, <sup>Mr</sup> Mary Church and Cohen C. Jackson were married. Account of the wedding is as follows:

Miss Upchurch is married to Mr Jackson

A marriage of much interest to their many friends is that of Miss Mary Upchurch of Burwell and Carrollton, to Mr Cohen Jackson, of Centralhatchee and Carrollton.

The marriage rites were said by Rev. Gordon Willingham, in the presence of a few friends in Carrollton, Sept. 9.

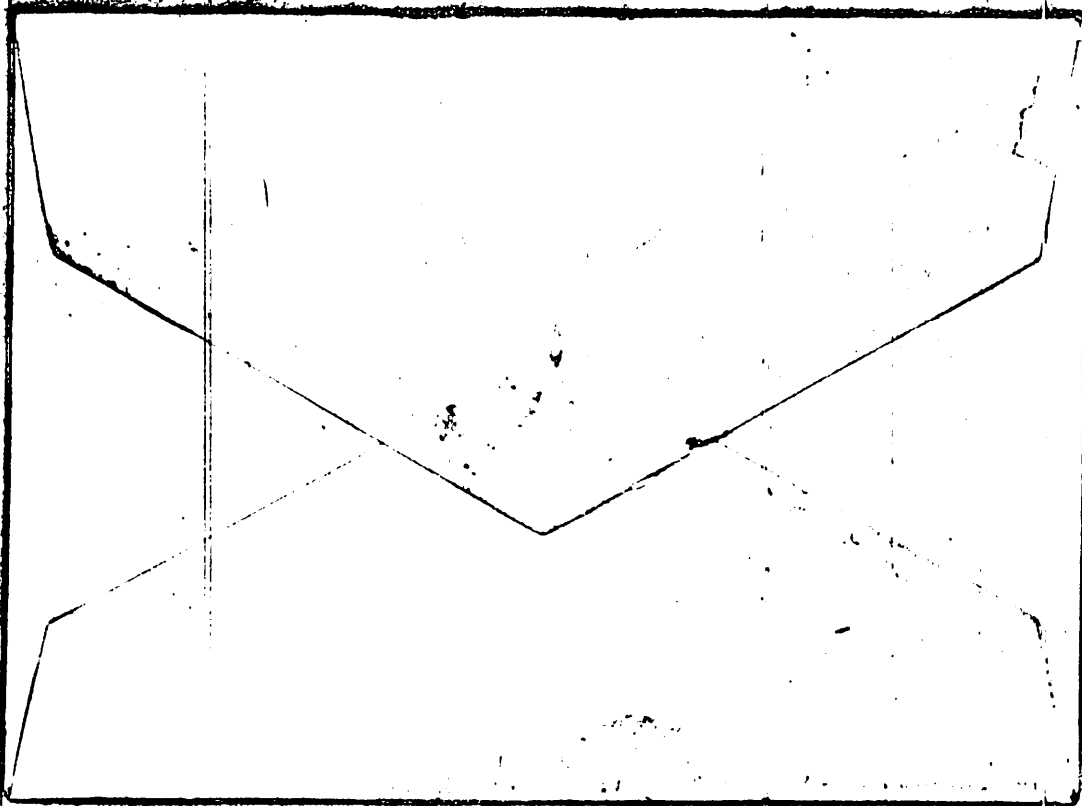
The bride wore a dress of aqua blue, with brown accessories. Her flowers were Sweetheart roses.

Mrs Jackson attended school at Burwell and Bowdon, and is the only daughter of her parents, Mr & Mrs Charles L. Upchurch. Her brothers are James, Glynn and Lake Upchurch, all with the U.S. armed forces.

Mr. Jackson is the son of Mr and Mrs B. R. Jackson, of Centralhatchee, and attended school at Centralhatchee and Berry College Rome.

After a short wedding trip the couple returned to 20 College street where they now reside.

The are both employed at the Economy Cleaners in Carrollton.



**Miss Upchurch Is Married to Mr. Jackson**

A marriage of much interest to their many friends is that of Miss Mary Upchurch, of Barwell and Carrollton, to Mr. Cohen C. Jackson, of Centralhatchee and Carrollton.

The marriage rites were said by Rev. Gordon Willingham, in the presence of a few friends in Carrollton, Sept. 9.

The bride wore a dress of light blue, with brown accessories. Her flowers were Sweetheart roses.

Mrs. Jackson attended school at Barwell and Bowdon, and is the only daughter of her parents, Mr. and Mrs. Charles L. Upchurch. Her brothers are James, Glyn and Laxi Upchurch, all with the U. S. armed forces.

Mr. Jackson is the son of Mr. and Mrs. B. R. Jackson, of Centralhatchee, and attended school at Centralhatchee and Berry College, Rome.

After a short wedding trip the couple returned to 20 College street where they now reside.

They are both employed at the Economy Cleaners in Carrollton.

*Marvell*

*Turkey, Watson was borned  
17th 1945 to Mr + Mrs  
Bernard Watson.*

1945

48

### Upchurch Reunion

The Upchurch Clan gathered Sunday Oct. 7, 1945, at the gracious home of Mr and Mrs C. L. Upchurch to celebrate the birthdays of three members of the Upchurch family.

The grandfather, Mr T H Upchurch celebrated his 86th birthday, Lake Upchurch, celebrated his 22nd birthday, (who was home on furlough for this occasion.) Lynette Upchurch of Birming, celebrated her 9th birthday. Also the wedding anniversary of Mr and Mrs J. Shields Upchurch.

This year we had two brides in the family, who were interesting and charming, Mrs James Upchurch and Mrs Cohen Jackson of Carrollton. Many useful gift were given the honorees.

We were sorry that one son, Mr Homer Upchurch and his family of Chattanooga were unable to be present. Also members of Mr Joe Upchurch's family of Cullman Ala. wer not present. Uncle Joe passed away Jan. 12, 1945 and his presence was missed by everyone.

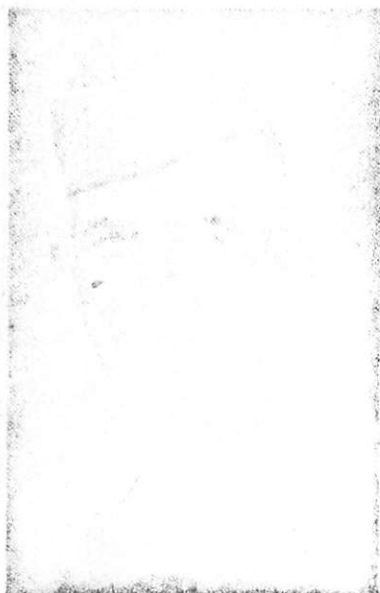
The Upchurch family are descendants of Mrs Nancy Matilda Copeland Upchurch. She was widowed in the civil war, and brought up five children, Mrs Lou Upchurch Alexander, Joseph L. Upchurch, George B. Upchurch, Thos. H. Upchurch and Mrs Mattie Upchurch Lovvorn. Each family is usually represented byt this time, the Cullman families did not come and Rev. and Mrs W. J. Lovvorn were absent due to illness.

Dinner was served at noon, thanks being returned by Mr Joe McGibboney. A beautiful and bountiful table was spread with all the good things to eat, surpassing all tables that we have had in years passed. The afternoon was spent in renewing family ties.

#### Those Present were:

Mr & Mrs Paul Johnson, Miss Margaret Johnson, Miss Clois Upchurch, Mr & Mrs Ralph Upchurch Miss Caroline Upchurch, Lynette, Mr & Mrs James Miller, Jimmie and Karen, of Birmingham. Dr & Mrs R. E. Guillebeau, of Atlanta, Mr & Mrs Abner Upchurch, Parbour & Tommie, Mt & Mrs J. Shields Upchurch, Mr & Mrs James Upchurch, Mrs Glynn Upchurch and Eobbie, Mr & Mrs Cohen Jackson, Miss Bettie Jean Chance, Mr Joe McGibboney, Mr & Mrs Harvey Copeland, Miss Janis, and Harvey Jr. Carrollton. Mr & Mrs Arthur Holmes of Mt, Zion, Mr & Mrs Tom Upchurch, Mr Maynard Upchurch, Mr Lake Upchurch, Mr & Mrs Jess Griffis, Mr & Mrs Fletcher Harrison, Mr & Mrs C. L. Upchurch.

49  
A row was honored to Mr & Mrs  
Donald Upchurch May 3<sup>rd</sup> 1946.



**T/5 THOMAS G. UPCHURCH**

T/5 Thomas G. Upchurch, who  
served with the occupational forces in  
Japan, entered service in April,  
1945, and has been overseas since  
October 28, 1945. His wife and son  
reside at 98 Newnan street, Carroll-  
ton.

1746

Uncle Jep Lovvorn died March 26, 1946  
at Carrollton Hospital - Carrollton Ga

# MARCH 26

BY V. D. MATTHEW

"It is appointed unto men once to die".—H. b. 9:27.

## Rev. William Jephtha Lovvorn

The son of Colonel William Daniel Lovvorn and Sarah Della Burden Lovvorn was born at Lamar, Randolph Co., Ala., Sept., 19, 1860. Married to Miss Mattie Upchurch October 27, 1881, the ceremony performed by Rev. Samuel Little. Joined the Bowdon Baptist church when a young man. Ordained at the Bowdon Baptist church in June 1882; the ordination sermon being preached by the late Rev. F. J. Amls. Died at Carrollton, Ga., Tuesday, 11:30 a. m., March 19, 1946. Age 85 years 6 months.

Funeral services at the First Baptist church of Carrollton, Ga., Thursday 2:00 p. m., March 21, conducted by his pastor, the Rev. H. B. Benson, assisted by the Rev. H. J. Kilpatrick, pastor of the Baptist Tabernacle of Carrollton.

Burialbearers at the funeral and graveside were: Messrs. Linto Mack, James Berry, Jep Hamrick, Lynn Hutcheson, Robert Bratcher, Bruce Lovvorn, Handley Lovvorn and Roy Stockard. Burial was in the family lot at Friendship Church cemetery, 1 1/2 miles northwest of Carrollton, Ga., family.

The funeral services were brief and simple just as the deceased would have wished. The songs, "My Hope in Christ" and "It is Well with my Soul", were softly and touchingly rendered by Mr. Harold Hoos, Mrs. Selby Crane, Mrs. W. E. Reese and Miss Mary Lou New. Mrs. W. Fred Gunn was pianist. The service lessons embraced the 23rd Psalm and passages from John 11 and Paul's letter to Timothy. The casket bearers paid beautiful

homage to the deceased. The services were conducted by Dr. Walter H. Benson, pastor of the First Baptist church of Carrollton, and the Rev. John W. Sutton, a close friend of the family.

Survivors include his widow, four sons, J. W. Lovvorn, S. C., Hamrick, W. J., Jr., of Bostonsville, Fla., and Fred of Atlanta, Ga., and two daughters, Mrs. W. J. Hamrick of Cedar-roy, Va., and Mrs. J. H. Hamrick of Atlanta, Ga. He is survived also by the Rev. H. M. Lockett of Bostonsville, one sister, Mrs. J. W. Hamrick of Bowdon, a number of grandchildren and numerous relatives and thousands of friends who deeply mourn his passing. An infant son and a grandchild preceded him in death.

Bro. Lovvorn was Moderator of the Carrollton Association in 1921 and was elected the Instructor of the Association at Whitesburg in 1927 and at Carrollton in 1927 and at Carrollton in 1931; also was a Sunday School teacher at Stacks, Ga., in 1920 and at Friendship Church in Carrollton to his death. He was a member of the Baptist, Y. M. C. A., and was ordained in 1882 and served as pastor of churches in Carrollton, Ga., and many towns in Alabama. He was a member of the State Normal School and presided over the 1911-12 convention of the Georgia Baptist Convention. He attended the Synodical Conference at Macon, Ga., in 1904 and 1905. He was a member of the Georgia Baptist Convention in 1904, 1905, 1906, 1907, 1908, 1909, 1910, 1911, 1912, 1913, 1914, 1915, 1916, 1917, 1918, 1919, 1920, 1921, 1922, 1923, 1924, 1925, 1926, 1927, 1928, 1929, 1930, 1931, 1932, 1933, 1934, 1935, 1936, 1937, 1938, 1939, 1940, 1941, 1942, 1943, 1944, 1945, 1946.

his funeral; saw beautiful flowers on his casket; heard songs and prayers and felt comfort by his preacher comforters who show as no one else the sad and noble side of the minister's life. He stood by his grave on the hillside nature's quiet sanctuary of friendship, near his old home and saw his body, worn out by long service, placed beside that of his daughter, Mary, where it lies undisturbed by the art of man in the forms of nature and the bugle blast from the sky.

claims that time with God and eternity begin.

Jep, as we always called him, was born on the farm. He loved nature. He saw sermons in the hills and trees and rocks and streams. He loved rural life. Like the Saviour, many of his prayers were in the great open never known a preacher whose heart was closer to the rural church. There as a professional architect his carving could have been equaled but never surpassed. He applied spiritual values to the solution of life's problems and while he made mistakes, as all men do, yet he lived in the presence of divine love. To me, his name will always stand high and shine bright in the doctrine of grace and faith. Jep was a Christian and that means eternity with God.

Man is as ancient as rock and as modern as tomorrow. The truly great never loses the greatness of humility. For man to so live as to lead others to Christ, and to help them constantly grow better, is probably the most worthwhile service on earth. Jep was a life-long searcher after truth, and truth is the silver thread that girdles the universe. Life is momentary. Before crossing the bar he wrote a poem of love in the Book of Life. He faced death with a faith that never wavered and a serene that was marvelous. In life he stood for God and in death God stood for him. On March 19, 1946 he laid down in death, and in

the stars. As the years gently  
 lie over the isthmus of time  
 I look unto Him who said "And  
 I will be lifted up from the earth,  
 and draw all men unto me"—  
 John 12:32.

Our sincere sympathy to the  
 wife and children and to all  
 who are bereaved. We commend you  
 to Him who bears our griefs, car-  
 ries our burdens, shares in our sor-  
 rows, and shepherds us in the  
 shadowy valleys of life.

The winds of heaven can never fan;  
 The circling sunlight can never span,  
 The horizons of the soul,  
 But the ages roll and roll.

**DEDICATION OF MY LIFE**

Eighty years of toil and pain,  
 have brought plenty of trouble but lit-  
 tle gain.  
 Eighty-five years, and it doesn't seem  
 long.  
 Since I was a boy with a joyful song,  
 Eighty-five years, and it won't be long,  
 I can hope to join the Angelle Throng.  
 My farewell to those I love,  
 I hope to meet them in Heaven above  
 Where pain and death are felt no more,  
 On that bright and Golden Shore.  
 My farewell message to all my friends,  
 Who in this life's journey ends.

Yours forever,  
**JEP LOVYORN.**

.....

The above was written when  
 the great Preacher was approach-  
 ing the "border land". He sees the  
 past. Through faith he visions the  
 future. The first part is a simple  
 confession. The latter part is  
 more than an ardent wish. It is a  
 prayer. The poem-prayer was  
 written by a saved man. Study it.  
 It parallels in part the experience  
 of every regenerated soul. My  
 brother prayed thousands of  
 times in life. All are recorded in  
 Heaven. You have forgotten them.  
 God has not. Clip the above. Paste  
 it in your souvenir album. Read  
 it occasionally. And live the life  
 that you will wish you had lived  
 when death overtakes you. And  
 don't forget the closing words:  
 "Yours forever". Selah.

**W. B. LOVYORN**  
 Died Tuesday;  
 Buried Thursday

W. B. Lovyorn, a retired  
 business man, died Tuesday  
 morning at the Car-  
 rollton Clinic after a long illness.  
 He was 75 years of age.

Mr. Lovyorn had served as pastor  
 of churches in Carroll, Polk and  
 Floyd counties. He was well-  
 known and loved by many staunch  
 friends and admirers.

Funeral services were held  
 Thursday afternoon at 2 o'clock at  
 the First Baptist Church in Car-  
 rollton with the Rev. H. B. Benson  
 and the Rev. E. G. Kilpatrick of-  
 ficiating. Interment was at Friend-  
 ship Church near Cedartown.

Surviving are his wife, Mattie  
 Upchurch Lovyorn; three daugh-  
 ters, Mrs. W. O. Hamrick of Cedar-  
 town; Mrs. Dewey Hutcherson, of  
 Buchanan; Mrs. J. E. Stockard, of  
 Atlanta; four sons, W. B. Lovyorn,  
 of Columbus, G. C.; Homer Lovyorn,  
 of Cedartown; Hart Lovyorn, of  
 Atlanta; W. J. Lovyorn, Jr., of Day-  
 tona Beach, Fla. He is also sur-  
 vived by a large number of grand-  
 children and great-grandchildren.

1946-

Jay Johnson & Mace Smith from Carlisle  
wed married Sept 28<sup>14</sup> 1946.

On Oct 6, 1946 all the children, grand children  
relatives & friends of Mr Tom Upchurch met  
at the home of Mr Charles Upchurch to celebrate  
his birth day. The day was rather warm  
& very pleasant, so we could all stay out  
side most of day. All the children were present  
coming early and enjoying the communion  
together and as the noon hour approached  
more & more kept coming until there  
were about 125 present. Lunch was  
served in front yard, with Rev Holbrook  
returning thanks, just before lunch  
Mr Boyington made a picture of the  
crowd. It was one of the best lunches  
we have ever had, barbecue, stew  
chicken (& all firing), pickles, pie  
strawberries, cakes & cream - ~~all~~  
All enjoyed it to the fullest. We had  
two new grand babies, Kay's baby &  
Doris baby, two new brides, Stan  
& wife who were present. Jay Johnson  
& wife who could not be there. Glenn  
had returned the week before, one still  
in the service, (Mary's husband, who  
is the only one in army) all lived  
to get back home & we are so proud  
& thankful for that. We had several



of Uncle Joe's children, Clyde, wife & children who had never been. Missed Aunt Nettie  
 Mr Upchurch sister Mrs & Mrs Holmes was not present - several new comers -  
 Mr & Mrs Ray Hearn, Mr & Mrs Logan Upchurch, Mr & Mrs Hearn, Mr & Mrs Pace Craven, Mr & Mrs Joe McGiboney & Mr John McGiboney, J P Rowe. Those Present were -  
 Mr & Mrs J. Johnson Margaret & Bobbie Birmingham  
 Mr Homey Upchurch. Christie Chattanooga  
 Mr & Mrs Wayne Upchurch, Bonnie & M. Marietta  
 Mr & Mrs Stan Upchurch  
 Mr & Mrs Ralph Upchurch, Lois, Caroline Hyatt & Lanelle - Birmingham  
 Mr & Mrs Bernard Watson, Page + "  
 Mr & Mrs James Miller, Jimmie & Kareem "  
 Mr & Mrs How Upchurch & Baby Carrollton  
 Dr & Mrs E. F. Gullebeau, Barbours & Ann Atlanta  
 Mr Mrs Hearn "  
 Mr & Mrs Ray Hearn "  
 Mr & Mrs Ora Parrish - Culman  
 Mr & Mrs James Martin <sup>Wally & daughter</sup> DeBout  
 Mr & Mrs Clyde Upchurch son & daughter - Culman  
 Miss Alma Upchurch "  
 Mr Pierce Upchurch Miami Fla.  
 Mr John McGiboney (59) Atlanta Ga  
 Mr & Mrs J. Upchurch C -

Mr + Mrs James Lynchurch C  
 " " " " " "  
 " " " " " "  
 " " " " " "  
 " " " " " "  
 " " " " " "  
 Mr + Mrs Glenn Lynchurch + Ritchie  
 Mrs Whorn "  
 Mr + Mrs Abner Lynchurch Barber + Fommie  
 Mr + Mrs Jess Guffies -  
 Rev + Mrs Holbrooks Borden  
 Mr + Mrs Tom Lynchurch  
 Mr Maynard Lynchurch -  
 Mr Barber Lynchurch Culman  
 Mrs Jane Lynchurch  
 Mrs Lake Lynchurch  
 Mr + Mrs Charles Lynchurch  
 Mrs Mary Jacobson  
 Mr + Mrs Gene Craven  
 Mr Widdem -  
 Mrs Bryington

Reunion 1946

OCTOBER 17, 1946

Mr. T. H. Upchurch celebrated his 87th birthday with the following guests present:

Mr. and Mrs. T. H. Upchurch, Maynard Upchurch, H. E. Upchurch, Christine Upchurch, Mr. and Mrs. Wayne Upchurch, Bonnie and Wayne, Jr.; Mr. and Mrs. Donald Upchurch and Ronny; Mr. and Mrs. Stanford Upchurch, Mr. and Mrs. J. S. Upchurch, Mr. and Mrs.

James Upchurch, Mr. and Mrs. T. R. Upchurch, Hyatt, Clois, Carolyn and Lynette Upchurch, Mr. and Mrs. C. L. Upchurch, James and Lake Upchurch, Mrs. Cohen Jackson, Mr. and Mrs. T. G. Upchurch and Bobbie; Mr. and Mrs. J. A. Upchurch, Barbara and Tommie; Mr. and Mrs. W. L. Upchurch, Mr. and Mrs. Glyn Upchurch, Bobby and Opal; Pierce, Buster and Alma Upchurch, Mr. and Mrs. J. P. Johnson, Bobby and Margaret Johnson, Mr. and Mrs. R. B. Watson, Paige and Kirby Watson, Mr. and Mrs. James Miller, Jimmy and Karen Miller, Mr. and Mrs. R. E. Gullebeau, Barbara and Annie; Mr. and Mrs. Harvey Copeland and Harvey Jr.; Mr. James Martin, Danny and Linda; and Mrs. S. I. Parrish, Mr. and Mrs. Mr. and Mrs. J. H. McGiboney, John McGiboney, J. P. Rowe, Mr. and Mrs. Jesse Griffles, Bro. and Mrs. J. E. Halbrook, Mrs. Kate Moon, Mr. and Mrs. S. P. Craven, Mr. and Mrs. Roy Hearn, Mose Hearn and W. M. Boynton.

Mr. Upchurch has twenty-three

grandchildren and eight great-grandchildren.

Jay Johnson + Miss Mary Alice Smith from Carterville were married Sept 14, 1946. Living in Tenn.

(1947)  
Miss Geraldine Eason + James Upchurch (Charles' son) was married March 22 1947. - 1947 -

Miss Geraldine Eason Weds William James Upchurch

Of interest to their many friends is the announcement of the marriage of Miss Geraldine Eason to William James Upchurch. The wedding was held at the Methodist Parsonage in Murfreesboro, Saturday, March 22, at 8:00 o'clock, with the Rev. J. E. Holloman officiating.

The bride was dressed in a lovely aqua blue with brown accessories. Her corsage was of white carnations, tied with silver ribbon.

Their only attendant was Mrs. Cohen Jackson, the groom's sister. She was dressed in black.

The couple was entertained by the bride's mother at a dinner on Sunday.

Covers were laid for Mr. and Mrs. C. L. Upchurch and Bobby, Mr. and Mrs. Jesse Griffles, Mr. and Mrs. Dewey Eason and Elbert, and Mr. and Mrs. Upchurch.

They will make their home in Burwell, where Mr. Upchurch is engaged in dairying.

56

A son was born Oct 22 - 1947, named Perry Digby Upchurch, in Chattahoochee Tenn. to Mr & Mrs Stau Upchurch.

### Harris-Upchurch Nuptials Performed in Atlanta

Miss Frances Harris, of Anderson, South Carolina and Atlanta became the bride of Lake Upchurch at a quiet ceremony performed in Atlanta on November 6, 1947. Only a few close friends of the bride and groom attended the wedding.

Miss Myra Ashmore, close friend of the bride, served as maid of honor and only attendant. She wore a suit of winter white and aqua and black accessories. Her corsage was American Beauty Roses. Jesse Harris, brother of the bride, served as best man.

The bride, a lovely brunette, wore a Navy blue suit with Navy and white accessories. A white orchid completed her costume.

Mrs. Upchurch is the daughter of Mrs. Marie Harris and the late J. L. Harris, Sr. She completed her education in Anderson, South Carolina and is now employed with the Loveable Brassiere Company in Atlanta.

Mr. Upchurch is the son of Mr. and Mrs. Charles Upchurch, of Carrollton. He graduated from Bowdon High School and attended West Georgia College. He served two and one-half years in the U. S. Army in World War II and is now employed with the Georgia Power Co., in Atlanta.

The young couple left for a short wedding trip after the ceremony and are now residing in Atlanta, Georgia.

A marriage Nov. 6 of much interest to their many friends was that of Mr. Lake Upchurch of Burwell to Miss Frances Harris of Atlanta, formerly of Anderson, S. C.

The ceremony took place in Covington, where the marriage rites were read by a minister of that town.

Their only attendants were Mrs. Myra Moon of Atlanta and Miss Laura Landers of Atlanta and Hartwell.

The bride was attired in a lovely blue suit, with red rose buds as her corsage.

Mrs. Upchurch has held a position in Atlanta for some time and Mr. Upchurch will be employed by Georgia Power Co. After a few days they will be at home to their friends in Atlanta.

Miss Virginia Harris & Lake Upchurch were married in Covington Ga. Nov 6 - 1947 -

Nellie Marion Upchurch borned Nov 18<sup>th</sup> 2:50 P.M. to Mr & Mrs James Upchurch weighed 7½ lbs - at Carrollton Clinic - (Dr Worthing)

Carol Francis Upchurch was born March 6<sup>th</sup> 1:30 A.M. to Mr & Mrs James Upchurch (Charles) weighed lbs at Carrollton Clinic (Dr Denney)

UPCHURGH FUNERAL DATA

MR. Thomas <sup>43</sup> Upchurch was born in Carroll County, Ga. October 8, 1859, the son of William Upchurch and Matilda Copeland Upchurch.

He died at his home near Burwell Friday morning Aug 29, 1947 after an illness of six weeks.

Age 87 years, 10 months, 21 days.

As a young man he joined Bowdon Baptist Church moving his letter Smith's Chapel M. E. Shurch, later moving his membership to Shiloh where he was a Steward at one time.

On Sept 24, 1882 he was married to Miss Carrie Thurman who died April 2, 1908. In 1909 he was married to Miss Nannie Hearn who died in 1910.

Also preceding him in death were two sons: Will James Upchurch who died in 1908, and Dan Upchurch who died in 1937; one daughter Mrs Fannie Carpenter, who died in 1910.

Surviving are: His wife, the former Mrs Beulah Jeter Robinson, To whom he was married Oct 27, 1912.

Six sons:

- Homer Upchurch, of Chattanooga, Tenn.
- Charles Upchurch, of Burwell, Ga.
- Shields Upchurch, of Carrollton, Ga
- Ralph Upchurch, of Birmingham, Ala
- Abner Upchurch, of Burwell, Ga
- Maynard Upchurch, of Burwell, Ga.
- One daughter: Mrs Paul Johnson of Birmingham, Ala
- 23 grandchildren: 10 great grandchildren;
- One sister:
- Mrs Mattie Lovvorn, of Cedartown, Ga.

THOMAS H. UPCHURCH  
 CARROLLTON.—Thomas H. Upchurch  
 87, died at his home near Burwell Friday  
 following an illness of six weeks. He is  
 survived by his wife; six sons, Homer Up-  
 church, Chattanooga, Tenn.; Shields Up-  
 church, Carrollton; Ralph Upchurch, Bir-  
 mingham, Ala.; Charles Upchurch and  
 Maynard Upchurch, Burwell; one daugh-  
 ter, Mrs. Paul Johnson, Birmingham, Ala.;  
 23 grandchildren; 10 great grandchildren;  
 one sister, Mrs. Mattie Lovvorn, Cedar-  
 town. Funeral services were held at the  
 Burwell Methodist church Sunday with the  
 Rev. J. E. Holbrook officiating. Burial will  
 be in the Burwell cemetery.

Text used Revelations 21:1--7, 2 Cor 5:1 2 Tim 1:12  
Romans 8:28

Special song by the grandchildren, Mary, Caroline, Clois, Margaret  
In the Garden.

Choir sang: Rock Ages, Abide with Me, Nearer My God to Thee.

58

Organist Mrs Lois Ashemore, Chorister Mr Joe McGiboney.  
Singing Mrs Johnson, Mrs Edna Bell, Miss Mildred Hearn  
Miss Rose Bud Hearn, Mrs Joe McGiboney, Mr Harrison,  
Mr J W Alexander, Miss Gwendlyn Alexander,

After the services he was placed by the side of Dan Upchurch  
in Burwell cemetery at 4 o'clock Sunday afternoon. Aug 31 1947

On 22 day of July Father Upchurch had a  
stroke in the left side at about 4 o'clock.  
He never regained the use of that side. He  
lingered on for 6 weeks and on Friday morning  
7 o'clock he had a heart attack and passed  
away about 10 o'clock. Martin's funeral  
home had charge. His funeral was held  
Sunday afternoon from the Arbor at 3  
o'clock with Rev J E Holdbrooks and Mr  
Stewart Martin having charge.

*Notices & Memorials  
from  
Times & Georgian*

**Mr. Upchurch, 87, Buried  
In Burwell Community**

Funeral services were held at 3 p. m. Sunday at the Burwell Methodist Church for Mr. Thomas H. Upchurch, 87, who died Friday morning at his home in that community after a six-week illness. Rev. J. E. Holbrook officiated at the funeral and burial was in the Burwell Cemetery. Grandsons were pallbearers.

Mr. Upchurch was born in Carroll County, Oct. 8, 1859, the son of William Upchurch and Matilda Copeland Upchurch. He had lived where he died since 1917, moving there from Burwell.

As a young man he joined the Smith's Chapel Methodist Church later moving his membership to the Burwell Methodist Church where at one time he was a steward.

On Sept. 24, 1882, he was married to Miss Carrie Thurman, who died April 2, 1908. In 1909 he was married to Miss Nannie Hearn, who died in 1910. Also preceding him in death were two sons, Will James Upchurch, who died in 1908, and Dan Upchurch, who died in 1937, and a daughter, Mrs. Fannie Carpenter, who died in 1910.

He is survived by his wife the former Mrs. Beulah Jeter Robinson to whom he was married Oct. 27, 1912; six sons, Homer Upchurch of Chattanooga, Shields Upchurch of Carrollton, Ralph Upchurch of Birmingham, Charles Upchurch, Abner Upchurch and Maynard Upchurch of Burwell; one daughter, Mrs. Paul Johnson of Birmingham; 23 grandchildren; 10 great-grandchildren; and a sister, Mrs. Mattie Lovvorn of Cedartown.

**FUNERAL NOTICES**

Smith, Mrs. Arthur M.  
Upchurch, Mr. Thomas H.  
**UPCHURCH**—Mr. Thomas H. Upchurch, aged 87, died at his home near Burwell, Ga., Friday morning. He is survived by his wife; six sons, Mr. Homer Upchurch, of Chattanooga, Tenn.; Mr. Ralph Upchurch, of Birmingham, Ala.; Mr. Shields Upchurch, of Carrollton, Ga.; Mr. Charles Upchurch, Mr. Abner Upchurch, Mr. Maynard Upchurch, all of Burwell, Ga.; daughter, Mrs. Paul Johnson, of Birmingham, Ala.; 23 grandchildren, 10 great-grandchildren; one sister, Mrs. Mattie Lovvorn, of Cedartown, Ga. Funeral services will be held from the Burwell Methodist church, Sunday, Aug. 31, at 3 p. m., with Rev. J. E. Holbrook officiating. Interment, Burwell cemetery. Martin Funeral Home, Carrollton Ga.

**Burwell News**

By MRS. ROB ALEXANDER

The death and funeral of "Uncle Tom" Upchurch have occurred since our last column was written. He was one of the oldest and most highly respected citizens of Burwell.

His was a very sweet funeral service on Sunday afternoon. Beautiful words were spoken by Mr. Stewart Martin, of Carrollton and his own pastor, Rev. J. E. Holbrook, spoke words of comfort and wisdom to his family and friends, commenting on the fine Christian life he had lived.

All his children attended the funeral including Mr. and Mrs. H. E. Upchurch of Chattanooga, Mr. and Mrs. Ralph Upchurch and Mr. and Mrs. Paul Johnson and families of Birmingham, Mr. and Mrs. Shields Upchurch of Carrollton, Mr. and Mrs. Charles Upchurch, Mr. and Mrs. Abner Upchurch and Maynard Upchurch of Burwell with hosts of other relatives and friends.

The funeral was held under the tabernacle, where a great concourse of people were gathered to pay tribute to a good man. There were many beautiful floral offerings, which attested to the esteem in which he was held.

**Burwell Booster**

(Mrs. J. T. Hearn)

Death has again visited our community and took one of our most beloved citizens in the character of Mr. T. H. Upchurch, who six weeks ago suffered a light stroke and while he seemed to rally and improve, was

visited again last Friday with a second stroke and was unable to rally and he passed quietly away.

It was only his coronation day, as the life he daily lived bore testimony. He was only promoted to a higher life. He preached his own funeral as we all are doing. He lived a long life and was a splendid citizen and loved everybody.

May his mantle fall on his sons and they will continue the life he lived. He was buried in Shiloh cemetery, with a large crowd attending.

**Bethel News**

The community extends sympathy to the family of Mr. Tom Upchurch of Burwell. He was one of the most beloved citizens of that section. We commend them to the God of love and mercy, who alone can comfort us in times like this. We can only say we do not grieve as one without hope for we know our loss is Heaven's gain. Several from here attended the funeral. The large crowd and beautiful floral offering attest to the many friends of the deceased and to know him was to love him.

**Thomas H. Upchurch, 87,  
Dies At His Home In  
Burwell Community**

Thomas H. Upchurch, age 87 died at his home near Burwell Friday morning following an illness of six weeks. He was born in Carroll County October 8, 1859, the son of William Upchurch and Matilda Copeland Upchurch. He had lived where he died since 1917, moving there from Burwell.

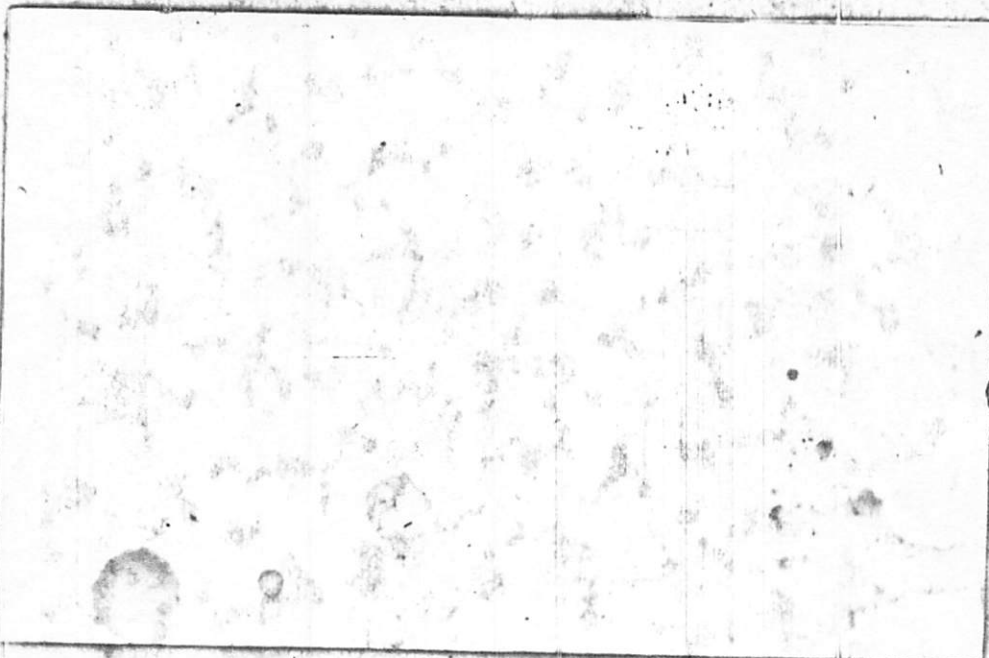
As a young man he joined the Smith's Chapel Methodist Church where at one time he was a steward. On September

24, 1882, he was married to Miss Carrie Thurman who died April 2, 1908. In 1909 he was married to Miss Nannie Hearn who died in 1910. Also preceding him in death were two sons, Will James Upchurch who died in 1908, Dan Upchurch who died in 1937, and a daughter, Fannie Carpenter who died in 1910.

He is survived by his wife, the former Mrs. Beulah Jeter Robinson, to whom he was married October 27, 1912; six sons, Homer Upchurch of Chattanooga, Tenn., Shields Upchurch of Carrollton, Ralph Upchurch of Birmingham, Ala., Charles Upchurch and Abner Upchurch of Burwell; one daughter, Mrs. Paul Johnson, of Birmingham, Ala.; 23 grandchildren, 10 great-grandchildren; one sister, Mrs. Mattie Lovvorn of Cedartown.

Funeral services were held from the Burwell Methodist Church Sunday at 3 P. M. with Rev. J. E. Holbrook officiating. Grandsons were pallbearers. Interment was in the cemetery.

Among out-of-town friends and relatives attending the funeral of Mr. Thomas H. Upchurch at Burwell Methodist Church last Sunday were Mr. and Mrs. James Miller and children, Mr. and Mrs. Bernard Watson and children, Virgil Frank III, T. L. Spring, Mr. and Mrs. Paul Johnson and Miss Margret Johnson, Mr. and Mrs. Ralph Upchurch, Misses Clois, Caroline and Lanette Upchurch and Hyatt Upchurch of Birmingham, Ala.; Mr. and Mrs. J. P. Johnson of Elizabethton, Tenn.; Mr. and Mrs. Ira Parrish, Mr. and Mrs. Glynn Upchurch, Buster Upchurch, Miss Alma Upchurch and Mrs. Myrtle Handley of Cullman, Ala.; Mrs. L. Morris, Dr. and Mrs. E. R. Guellebean, Misses Barbara and Anne Guellebean, Merrell Carpenter, Mrs. Lizzie Hearn, Mr. and Mrs. Roy Hearn and Miss Lola Beck of Atlanta; Mr. and Ms. Jce Sherrill and Mr. and Mrs. J. H. Sims of Tallapoosa; Mr. and Mrs. Harold Jeter of Marietta and Mrs. W. J. Lovvorn and Mrs. Minnie Hambrick of Cedartown.



Cards of Thanks

We wish to express our deepest appreciation to our friends and loved ones for every act of kindness, every expression of love and sympathy shown us at the death of our husband and father.

We are grateful to you for your cards, letters, telegrams, phone calls, floral offering and prayers, they brought comfort to our hearts. May God's blessings be upon each of you.

Upchurch Family



1947

It was indeed a sad occasion to have the birthday after the death of one we honored, but I knew he would have wished it to be carried on in memory of Him who was so good and faithful. The children all gathered on first Sunday in September at the home of Mr Charles Upchurch, with most of the children present, several were unable to attend. Uncle Joe's family was represented, Mr & Mrs Arthur Holmes, several friends with our new pastor, Rev & Mrs Tippet joining for the noon meal. which was bountiful and each enjoyed the barbecue and stew, the best I think we have ever had. After meal we all gathered together and each talked of the loved ones we missed and it was suggested that we hold it or the reunion each year as usual and at the same place, for Charles has ideal place for such an occasion.

1947

# Miss Guillebeau Is Married to W. C. McGahee

Miss Barbara Jean Guillebeau became the bride of W. Clifford McGahee June 25 at the Stewart Avenue Methodist church. The Rev. Harry Lee Smith officiated.

Wilbur E. Carson served as best man. The usher-groomsman were T. A. Kitchens Jr., James I. Wright, Bill Wright Jr., and Billy Leach.

Miss Anne Guillebeau, sister of the bride, was maid of honor. She wore a gown of white mousseline over aqua taffeta, and a halo of aqua horsehair braid. Mrs. Dan Lamourtt, of Augusta, and Miss Betty Cook were bridesmaids. Their gowns were fashioned like that of the maid of honor. They carried fan-shaped nosegays of yellow gladioli.

Betty Wright, cousin of the bridegroom, was the flower girl. She wore a frock of yellow net, and carried a basket of rose petals.

The bride, who is the daughter of Mr. and Mrs. R. E. Guillebeau, was given in marriage by her father. Her gown of ivory satin was fashioned with deep yoke of illusion, embroidered in a design of seed pearls. The buffout skirt extended into a long train. She wore the veil of her cousin, Mrs. Dan Lamourtt, which was of full length tulle, caught to a coronet of lace and seed pearls. She carried a fan-shaped bouquet of white gladioli, showered with lilies of the valley. Her only ornament was an opal necklace, a gift of the bridegroom.

A reception was held at the home of the bride's parents, after which the couple left for a wedding trip to Florida.

Mr. Murrell Carpenter & Miss Ethel Rice from Greenville S. C. were married April 3 1948 at the factor's study, will reside in Atlanta. He is grandson of Mr. Tom Lynch -

Mr. & Mrs. Jay Johnson of Elizabeth Tenn adopted a baby girl, named Mary Sue Johnson born Feb. 15 - 1948, came by to show us the baby April 29. & to see our baby Mariane -

**GUILLEBEAU-McGAHEE**

Mr. and Mrs. R. E. Guillebeau announce the engagement of their daughter, Barbara Jean, to W. Clifford McGahee.



MISS BARBARA GUILLEBEAU

**Miss Guillebeau,  
Clifford McGahee  
To Wed**

Mr. and Mrs. R. E. Guillebeau announce the engagement of their daughter, Miss Barbara Jean Guillebeau, to W. Clifford McGahee. The marriage will take place June 25 at the Stewart Avenue Methodist church with the Rev. Harry Lee Smith officiating.

The bride-elect's mother is the former Miss Mary Carpenter, daughter of the late Mr. and Mrs. William Thomas Carpenter. Her paternal grandparents are Mrs. R. E. Guillebeau and the late Mr. Guillebeau, of Lincolnton.

Miss Guillebeau was graduated from Commercial high school with honors. She was a member of the National Honor Society. She is now associated with the American Mutual Insurance Co.

Mr. McGahee is the son of Mrs. W. C. McGahee and the late Walter Clifford McGahee. His mother is the former Miss Etta Mell Wright, daughter of the late I. J. Wright and the late Mrs. Margaret Wright Pierce, of Eastman. His paternal grandparents are Mrs. James M. McGahee, and the late Mr. McGahee, of Atlanta.

After graduating from Boys high, the bridegroom-elect attended Emory and Duke universities in the Naval Reserve Officers Training Corps. Upon his discharge from the Navy he completed his education at Tech, graduating last March with a degree in industrial engineering. He holds the rank of ensign, USNR, and is a member of the Sigma Alpha Epsilon fraternity. He is employed by the Southern Wax Paper Co.

**Miss Guillebeau  
Is Engaged 1948**

Mr. and Mrs. R. E. Guillebeau announce the engagement of their daughter, Miss Barbara Jean Guillebeau, to W. Clifford McGahee. The wedding will take place June 25 at the Stewart Avenue Methodist Church, with Rev. Harry Lee Smith officiating.

The bride-elect's mother is the former Miss Mary Carpenter, daughter of the late Mr. and Mrs. William Thomas Carpenter. Her paternal grandparents are Mrs. R. E. Guillebeau, of Lincolnton.

Miss Guillebeau graduated from Commercial High School with honors, and was a member of the National Honor Society. She is now employed by the American Mutual Liability Insurance Company.

Mr. McGahee is the son of Mrs. W. C. McGahee and the late Mr. McGahee. His mother is the former Miss Etta Mell Wright, of Eastman, daughter of the late Isham Josiah Wright and the late Mrs. Margaret Wright Pierce, of Eastman. His paternal grandparents are Mrs. James M. McGahee and the late Mr. McGahee, of Atlanta.

The groom-elect attended Emory and Duke Universities in the Naval Reserve Officers' Training Corps. Upon his discharge from the Navy, he completed his education at Georgia Tech, and graduated last March, with a degree in Industrial Engineering. He holds the rank of Ensign, USNR, and is a member of the Sigma Alpha Epsilon Fraternity. He is now employed by the Southern Waxed Paper Company.

Here's the Inside News



The memorial service was held at Smiths Chappell on Sept 5-48 and memorials were read for Mr Lambert, Mr Upchurch, Mr Charles Lambert, Mrs Johnson, Mrs Windows,

Nancy Marie Jackson daughter born Dec 14-1948 at 9:30 P.M. 8 lbs 100g - to Mrs Mrs Cheryl Jackson

Mr + Mrs E L Gullebeau announced the engagement of Anne to Rev J. E. Carter

Mrs W J Lovvorn passed away at Buchanan Hospital June 16-1949 at 3 o'clock after 6 weeks illness. Funeral was held at June 18 at Friendship Church buried in church cemetery -

IN MEMORIAM

To say a few words in memory, of Uncle Tom Upchurch I account it a compliment and a privilege in memory of a man as close as I have been connected with him and his family-

He made an impression on my mind for his honesty fairness, being good and noble- He was a shining example to his children, neighbors and friends-

As a child Charles and myself were big buddies and both lived in his home as well as my own.

Uncle Tom was always interested in his boys, he wanted us not to do anything we shouldn't do. He didn't believe in going around with the wrong crowd-but he was a man who stood up for the right, never shunning duty when called- He love to have his children around here and he never was too busy to listen to their wants he had the confidence of his children for he always enjoyed them and they never refused to do his bidding-

He was a good neighbor, never failing in sharing their joys and sorrows and any community project always had the backing of Uncle Tom--I have lived by him during his last days and while he was feeble, he looked forward to my visit which was a joy and comfort to me- and I think that to say he was a good man--is one of the greatest honors you can bestow on a person.

By Mr. Jes Griffies

Oct 3 1948

Another year has rolled about and here we are to have our annual gether. The day was bright and sun was shining and with coats on we had nice time out in the yard together. About 9:30 the children began to gether and by noon all were there except May and family. I think there were about 80. The morning was spent in renewing fellowship that has become so dear to most of us, Mother seemed to enjoy it even if she and the rest did miss him who liked to honor was gone. We felt that he was there in spirit, for he was such a noble spirit that to honor him was indeed a pleasure.

This year we had to new brides to welcome, Merrell's wife, Lake's wife, and Barbour's husband, (they did not come he had to work) and three new babies, Marian Upchurch, Carol Ann Upchurch, and Perry Digby Upchurch.

At noon a bountiful lunch was served, Barbecue, Stew, chicken, salads, sandwiches, pies and cakes, pickles and all the fixing that goes with a good dinner. It was enjoyed by all.

Friends invited for lunch were:

Mr & Mrs Perry Digsby, Rev. and Mrs Burch, Mr Joe Burch  
Mr & Mrs Anthony of Atlanta, Mr & Mrs J E Richardson,\*  
Mrs Callie Clapps, Mr & Mrs Harvey Copeland & Children  
Mr & Mrs Jess Griffies, Mr & Mrs John Copland, Cathlene,  
Horace, Mr & Mrs Dewey Eason & Elbert, Mr & Mrs Arthur  
Holmes. Mr & Mrs Ira Parrish, Miss Alma Upchurch,  
Mr Buzz Upchurch,

Children & Grandchildren and Great Grand children present:

Mr & Mrs Homer Upchurch, Miss Christine Upchurch, Mr & Mrs  
Harold Upchurch, Mr & Mrs Don Upchurch & Ronnie, Mr & Mrs  
Wayne Upchurch, Bonnie & Wayne Jr.

Mr & Mrs Charles Upchurch, Mr & Mrs James Upchurch, Carol  
Ann, Mr Glynn Upchurch & Bebbie, Mr & Mrs Lake Upchurch,  
Mr & Mrs Cohen Jackson.

Mr & Mrs Abner Upchurch, Barbour & Temmie  
Mr & Mrs Shhélés Upchurch, Mr & Mrs James Upchurch, Marian  
Mr & Mrs Ralph Upchurch, Misses Clais, Carolin, Eanette &  
Mr Hyatt Upchurch, Mrs Tom Upchurch, Mr Maynard Upchurch  
Dr & Mrs E L Guillebeau, Mr & Mrs Merrell Carpenter.

\* On Tues Oct 5 1948 Mr Richardson died at five o'clock from eating too much and it really did bring much sadness to our hearts to have one we thought so much of to be taken so suddenly.

*Somebody remind me to eat sparingly!*

*SVB*

1949

Sunday October 2, 1949 all the Upchurch Clan met at the home of Mr & Mrs Charles Upchurch to celebrate the birthdays and the home coming of the all the children. IT was a most enjoyable day, even if our hearts were sad, for Mr Upchurch was there in spirit, as he always enjoyed it so much and felt that he was with us, the day was cold and most of the time was spent indoors, yet at noon the sun came out and the lunch was spread on tables in the front yard. Several were sick, May and Ira Farrish so we indeed missed them from the group. Most the grandchildren were present with new babies and they were the envy of the crowd, for May and wife had their baby girl, Sue. Mary & Jack had their baby girl Nancy at the reunion for the first time and they were the center of attention. The dinner was fit for a king, so much good food that I am afraid that most of the crowd had too much.

Those present: Mr & Mrs J A Upchurch, Barbara & Tommy  
Mrs Tom Upchurch, Maynard  
Mr & Mrs James Upchurch & Carol  
Mr & Mrs T R Upchurch, Hyatt, Clois, Carolyn  
& Lynette.  
Mr & Mrs James Upchurch & Marion  
Mr & Mrs Cohen Jackson & Nancy  
Mr & Mrs J P Johnson, Jr. Sue  
Miss Margaret Johnson & Page Watson  
Mr & Mrs R E Guillebeau  
Mr & Mrs Jesse Griffies  
Rev & Mrs L L Burch & Sue  
Mr & Mrs J W Miller Jim & Karen  
Mr & Mrs R M Carpenter  
Mr & Mrs C L Upchurch  
Mr & Mrs A B Hodmes  
Mr & Mrs Wayne Upchurch, Wayne Jr. & Bonnie  
Mr & Mrs Fred Jones  
Mrs J E Stockard  
Mr & Mrs Stan Upchurch & Digsby  
Miss Christine Upchurch

1949

Mr Homer Upchurch

Mr & Mrs Don Upchurch & Ronie

Mr Glynn Upchurch & Bobbie

Mr & Mrs J S Upchurch

Sixty Present, smallest crowd we have had in long time. The  
Clan from Cullman was in car wreck and that was the reason  
they were not here. None hurt serious but Ira was hurt  
worst of all.

The Upchurch clan from far  
and near gathered at the hospi-  
table home of Mr. and Mrs. C.  
L. Upchurch at Burwell for  
their annual reunion Sunday.  
There was a bountiful dinner  
served on long tables out in the  
yard. Everyone enjoyed the good  
food and the spirit of fellow-  
ship, many of whom we don't  
often see. Then there is the  
feeling of sadness for those who  
pass on during the year, and  
the rejoicing over the new  
children and the marriages that  
occur from year to year. We  
all have a good day each year.

*Write up by Mrs  
Holmes -*

The annual Upchurch reunion  
was held at the home of Mr. and  
Mrs. C. L. Upchurch Sunday. There  
were people from Chattanooga, At-  
lanta, Birmingham, Carrollton and  
Bowdon. This was started as a  
birthday celebration honoring the  
late Mr. Tom Upchurch. Lake Up-  
church of Atlanta and Miss Lanet  
Upchurch of Birmingham celebrate  
their birthdays on this occasion.

*Write up by  
Mrs Alexander*

### Cedartown Service For W. J. Hambrick

#### Crash Victim

CEDARTOWN, Ga., Nov. 15.—  
Funeral services were held Thurs-  
day at the First Baptist church for  
William J. Hambrick, 40, Cedartown  
merchant who was killed Sunday  
night when the car he was driv-  
ing crashed broadside into a tree  
just outside the city limits.

Born in Polk county, Mr. Ham-  
brick spent most of his life in  
Cedartown. He attended the First  
Baptist church. A veteran of  
World War 11, he served four  
years overseas. He was a member  
of the Joseph S. Brewster Post of  
the American Legion. Final rites  
were conducted by Dr. John Mc-  
Ginnis, pastor, and the Rev. Robert  
E. Smith.

Survivors include his wife; one  
daughter, Harriet Ann, his parents,  
Mr. and Mrs. W. O. Hambrick, of  
Cedartown; three sisters, Mrs. Ar-  
thur Jones and Miss Lois Hambrick,  
Atlanta; Mrs. Jim Berry, Dalton.

*This is Aunt  
Mattie Lowmire's  
grand son, son  
of Minnie Haurie  
Shields & Charles  
went to funeral  
hill Sunday  
Nov 13, 1949.*

*Myatt Upchurch &  
Thomase Gannaway  
were married on  
Nov 4 - 1949 - wedding  
trip to New Orleans -  
came by Mother's  
Nov 10 & spent night  
with her & Maynard -*



# Mrs. J. E. Lovvorn Expires Thursday at Local Hospital

*My Aunt Aunt  
to write (up for me)  
1948*

Mrs. W. J. Lovvorn, widely known and beloved Buchanan lady, passed away the Haralson County Hospital here Thursday afternoon at 3 o'clock following an illness of several weeks. She was in her 87th year.

Mrs. Lovvorn was a woman of the finest Christian character, and prior to coming here to make her home with her daughter, Mrs. Dewey Hutcheson, had resided in Carrollton, and before that, in Polk county. She was the widow of the late Rev. W. J. Lovvorn, who pastored the Baptist church here for several years, and many other North Georgia churches. Mrs. Lovvorn had been a member of the Baptist church for the past 45 years.

Impressive funeral services were held over the remains at Friendship church, between Cedartown and Cave Springs, Saturday morning. Revs. McGinnis, of Cedartown and H. B. Benson, of Carrollton officiating.

She is survived by the following children Mrs. W. O. Hamrick, Cedartown; W. B. Lovvorn, Columbia, S.C; H.J. Lovvorn, Cedartown; H. J. Lovvorn, Cedartown; Mrs. Dewey Hutcheson, Buchanan; Mrs. J. E. Stockard, Atlanta; Hoyt Lovvorn, Atlanta and W. J. Lovvorn, Daytona Beach, Fla.

Interment was in the churchyard cemetery.

## MRS. J. E. LOVVORN EXPIRES THURSDAY AT LOCAL HOSPITAL

Mrs. W. J. Lovvorn, widely known and beloved Buchanan lady, passed away the Haralson County Hospital here Thursday afternoon at 3 o'clock following an illness of several weeks. She was in her 87th year.

Mrs. Lovvorn was a woman of the finest Christian character, and prior to coming here to make her home with her daughter, Mrs. Dewey Hutcheson, has resided in Carrollton, and before that, in Polk county. She was the widow of the late Rev. W. J. Lovvorn, who pastored the Baptist church here for several years, and many other North Georgia churches. Mrs. Lovvorn had been a member of the Baptist church for the past 45 years.

Impressive funeral services were held over the remains at Friendship church, between Cedartown and Cave Springs, Saturday morning, Revs. McGinnis, of Cedartown and H. B. Benson, of Carrollton officiating.

She is survived by the following children Mrs. Wm. O. Hamrick, Cedartown; W.B. Lovvorn, Columbia, S.C; H.J. Lovvorn, Cedartown; ~~H.K.K.~~ Mrs. Dewey Hutcheson, Buchanan; Mrs. J.E. Stockard, Atlanta; Hoyt Lovvorn, Atlanta and W. J. Lovvorn, Daytona Beach, Fla.

Interment was in the churchyard cemetery.

19 50

### Long Illness Fatal To Lamar Upchurch

Mr. Lamar Upchurch of 82 Newnan Street, passed away early Friday morning at his residence after an illness of the past five years.

Mr. Upchurch was born November 16, 1922 in Carroll County, the son of J. W. Upchurch and Ruby Ashmore Upchurch. He received his schooling in this county. On November 19, 1942 he entered the service and served with the Army Air Force in India. He received a medical discharge on December 14, 1944. Since that time he has been in poor health. On May 3, 1947 he married Miss Flonie Turner. Recently he has attended the Vocational School at West Georgia College. Mr. Upchurch has lived all his life in the Burwell community only recently having moved to Carrollton.

He is survived by his wife; one son, Owen Upchurch; his parents, Mr. and Mrs. J. W. Upchurch, of Burwell; four brothers, Messrs. Lorene Upchurch, of Carrollton, Horace Upchurch, of Burwell, Felix Upchurch, of Atlanta, and Bill Upchurch, of Atlanta; two sisters, Miss Kathleen Upchurch, of Burwell and Mrs. Wendell Mashburn, of Carrollton.

Funeral services were held at 3:00 o'clock Saturday afternoon at Shiloh Methodist Church at Burwell with Rev. C. L. Harris officiating. Interment was in the church yard. Music was furnished by Rev. and Mrs. John T. Tippet with Mrs. Tippet at the piano. The following served as pallbearers: Messrs. Lake Upchurch, Jerry Garret, Billie Allgood, Allen Lawler, Lonnie Turner, and Felton Fricks.

*Lamar Upchurch died Aug 11 - 50. Journal Nat.*

### Burwell Rites For Lamar Upchurch, 27, World War II Veteran

Funeral services for Lamar Upchurch, 27-year-old World War II veteran who died Friday at his home, 82 Newnan Street, after an illness of five years, were held Saturday afternoon from the Shiloh Methodist Church at Burwell with Rev. C. L. Harris officiating.

Appropriate music was rendered by Rev. and Mrs. John T. Tippet. Interment followed in the church cemetery.

Mr. Upchurch was born in Carroll County, the son of J. W. Upchurch and Ruby Ashmore Upchurch who are among his survivors. He received his schooling in this county and entered service, Nov. 19, 1942.

He served with the Army Air Force in India and received a medical discharge, Dec. 14, 1944. Since that time he has been in poor health.

On May 3, 1947, he married Miss Flonie Turner. He recently attended the Carrollton Vocational School. Mr. Upchurch had lived all his life in the Burwell Community, only recently moving to Carrollton.

Other survivors include his wife; one son, Owen; four brothers, Lorene of Carrollton, Horace of Burwell, and Felix and Bill of Atlanta; two sisters, Miss Kathleen Upchurch of Burwell and Mrs. Wendell Mashburn of Carrollton.

### Mrs. Parrish Dies

Mrs. Ira Parrish, 53, who had been seriously ill for a long time died on August 31 at her Rt. 8, Cullman residence and funeral services were held at Berlin.

Surviving are her husband, four sisters and four brothers.

*Essie Upchurch Parrish died Aug 31 - 1950 and was buried Sat Sept 2 - the Rev. Ralph Myrtle & I went out there Fri. We were in Birmingham - Paul Johnson was sick then. Essie was buried at church at Berlin out from Cullman -*

THURSDAY, OCTOBER 12, 1950

### Services Held For J. Paul Johnson

Funeral services were held at Birmingham Saturday afternoon for J. Paul Johnson, a former resident of Carroll County.

He is survived by his wife, the former Matie Upchurch, four daughters, Mrs. Bernard Watson, Mrs. James Miller, and Miss Margaret Johnson, all of Birmingham; and Mrs. Bobby Dennis, of Chicago; and a son, J. P. Johnson, of Elizabethton, Tenn.; six grandchildren and three sisters.

J. Shields Upchurch, James S. Upchurch, Mr. and Mrs. Cohen Jackson, Mr. and Mrs. Abner Upchurch and Tommie, Mr. and Mrs. C. L. Upchurch, Mr. and Mrs. James W. Upchurch, Mr. Glenn Upchurch and Bobby, Mr. Manard Upchurch, Mr. and Mrs. Walt Farpley and children and Mrs. Walt Crumbley, from Carrollton and vicinity attended the funeral.

Mrs. Walt Crumbley went to Birmingham Thursday to attend the funeral of Mr. Paul Johnson. Others attending the funeral of Mr. Johnson were Mr. and Mrs. C. L. Upchurch and family, Messrs. Maynard, Shields and James Upchurch and Mr. and Mrs. Abner Upchurch.

### 10 YEARS AGO

Mrs. J. M. Johnson, 73, died at her home on Dixie Street. She had miss Sunday school only three times in 16 years. Bishop Warren A. Candler died in Atlanta, at 85. Carrollton's city council was composed of Howell Robison, J. W. Fountain, J. A. Upshaw and W. C. Cantrell. J. Z. Morris was school principal at

*Oct 2-1951  
Mother of Mrs. J. Upchurch*

*Paul Johnson died Oct 5-1950 at 1:30 P.M.  
Funeral was held Sat Oct 12-1950 - Buried  
in Birmingham - all family weill except  
Mother & I -*

*Mr Robert Jeter died Oct 7-1950-*

### J. Robert Jeter Dies At Bowdon

J. Robert Jeter, 82, of Bowdon, died in a Bowdon hospital early Saturday. Jeter had been in ill health for the past two years, and in a serious condition for six weeks.

Jeter was born in Carroll County, May 2, 1868, the son of Mr. and Mrs. Dudley Jeter. He had lived in Bowdon for the past 18 years, and was a member of the Shiloh Methodist Church.

A number of years ago he was married to Mollie Elizabeth Craven, who died December 4, 1945. Also preceding him in death were two sons, Cicero, who died in June, 1934; and Albert, who was killed in action in World War II in July, 1944.

Surviving are seven sons, George, John, Lloyd, and Gordon, of Bowdon, Joe and Roy of Waco, and Bob, of Carrollton; one daughter, Lizzie of Bowdon; 11 grandchildren; 2 great grandchildren; two brothers, Jim and Will, of Burwell; one sister, Mrs. Beulah Upchurch, of Burwell.

Funeral services were held Saturday at 3:00 p. m. from the Shiloh Methodist Church with Rev. Henry Norris officiating, assisted by Rev. J. E. Holbrook. Interment was in the church cemetery.

1950

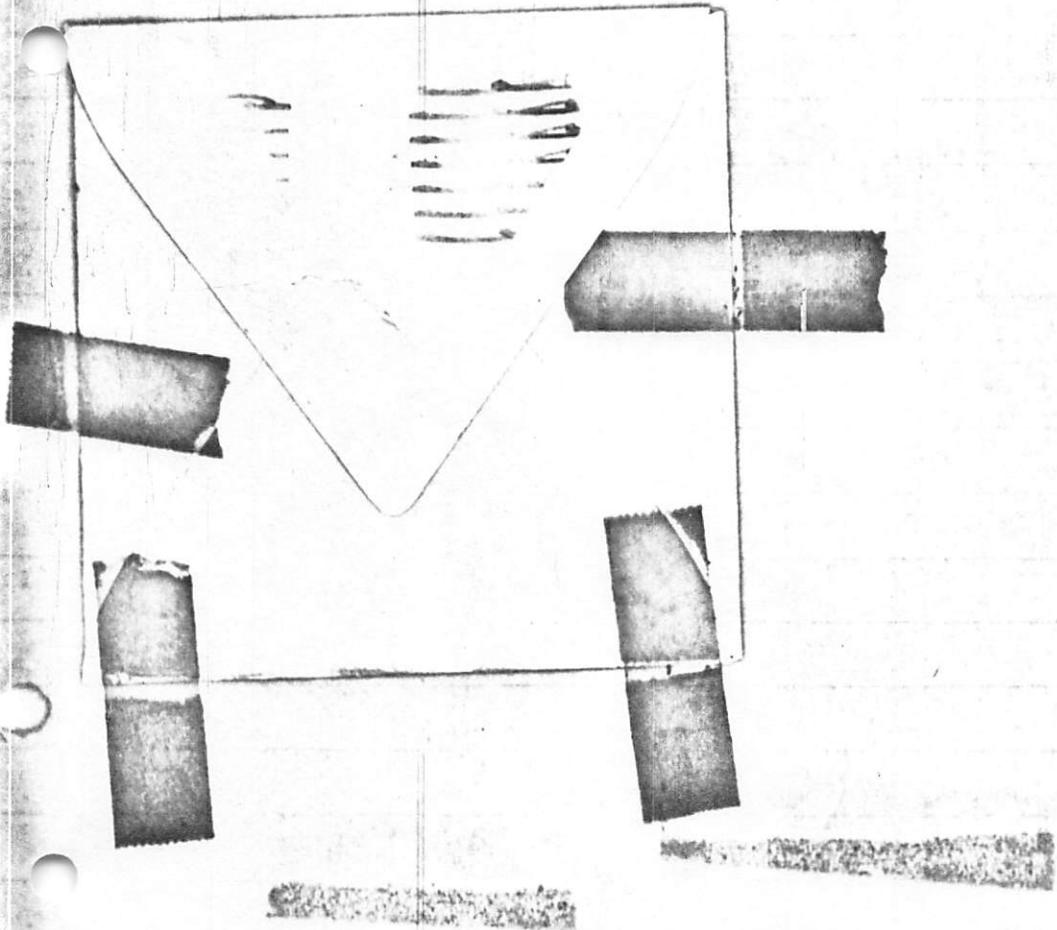
The "Upchurch's" met with Charles home for the reunion. There was so much sadness because of the passing of Paul Johnson and Essie Parish. Small crowd attended, but those that attended enjoyed the day. Had good dinner, those enjoying the day was, Ralph's family, Guillebaau & wife, Homer's Family, Abners' family, Buss, Alma and Mary Joe & family from Cullman, Arthur Holmes Family, Shields & family Jesse & Berta and Bro Norris & family, Pastor at Burwell. All had a nice <sup>time</sup> and hated to see the time pass so quickly. It is hope that all will be together next year.

1930-1951

Martha Evelyn Lefchurch born Dec 13, 1951 daughter  
of Mr & Mrs James Lefchurch Jr - weighed 6 lbs.

James Mark McJahie born Jan 20, 1960 at 6:30 a.m.  
son of Mr & Mrs Bubber McJahie - grandson of Mrs  
& Mrs Guillebeau.

Victoria Lane Lefchurch born Feb 3, 1951. weighed  
5 lbs 14 oz. daughter of Mr & Mrs Lake Lefchurch.



Charles L. Upchurch won Cotton Contest 1950

# Cotton Contest Winners Honored at Banquet Tues.

## C. L. UPCHURCH WINS \$500 FIRST PRIZE WITH 10,000 POUNDS ON FIVE ACRES

With a yield of 10,382 pounds of seed cotton on his five-acre field in the Burwell community, C. L. Upchurch was the 1950 first place winner in the Carroll County Cotton Improvement contest and pocketed a check for \$500 Tuesday night. The prizes were awarded to ten winners during a banquet meeting at the new Georgia Power Co. building in Carrollton.

The other nine winners, the amounts of their prizes and the communities in which they farm are:

M. O. Mahaffey, \$400, Carrollton, 9,710 lbs.

G. E. Harman, \$300, Farmers High, 8,895 lbs.

John Waldrop, \$100, Villa Rica, 8,720 lbs.

W. H. Powers, \$50, Farmers High, 8,600 lbs.

Clark Hunt, \$40, Temple, 8,072 lbs.

M. Y. Johnson, \$35, Tyus, 8,008 lbs.

C. H. Spente, \$30, Center Point, 7,974 lbs.

J. A. Riggs, Jr., \$25, Temple, 7,740 lbs.

J. M. Peek, \$25, Carrollton, 7,685 lbs.

The next fifteen, in order that they stood in the contest, but who were not among the cash prize winners, were: W. E. Walker, T. C. Fletcher, J. R. Walker, C. M. Holcomb, Ronald D. Williams, J. P. Garner, S. J. Jackson, R. G. Terrell, Leonard Ivey, Luther Harman, Sam Hathcock, William Carroll, W. S. Harman, Sr., William Crews and W. S. Harman, Jr.

### STORY OF WINNER

Mr. Upchurch, the first prize winner, was quite surprised at his

(Continued on Page Eight)

## Cotton Contest

(Continued from Page One)

good fortune. He had only been informed that he was one of the winners, not that he would take top money of \$500. In his own words "I reckon I just had good luck with my crop. I believe this program will encourage better farming in the county and more than ever we must make more on little acreage. I am not an expert farmer, but I do try to learn how to do a better job. It takes a lot of work to make cotton and constant care of the crop to control the insects."

Mr. Upchurch said he planted a good cover crop of lespedeza on his land last winter. He fertilized well and in the spring, before planting, cut the land thoroughly. He used Coker 100 seed and did a thorough job of cultivation and side-dressing with potash, nitrate and ammonia. He began poisoning when there were six leaves on the plants and kept it up all the season. He poisoned a total of 11 times.

### WESTBROOK SPEAKER

County Agent Earl Sanders introduced E. C. Westbrook, cotton specialist of the Georgia Extension Service, who said that the contests this year prove that good productions of cotton can be attained even with adverse conditions, if right methods are used. He termed cotton a war material and the work of the cotton farmer just as essential as that of the munitions manufacturer.

J. E. Moses, executive secretary of the Georgia Cottonseed Crushers Association spoke briefly and commended the farmers of the county for their fine work. His organization sponsors the state five-acre contest.

It was pointed out that the \$1,505 in prizes in this county was the largest amount of prize money in any county of the state this year.

Frank Pope, of Villa Rica, state delegate to the National Cotton Council, made the presentation of the prizes.

1951

On Sunday October 7, the "Upchurch Clan" met at the home of Mr & Mrs Charles Upchurch for their annual celebration. It was a lovely day, just cool enough for coats and the sun felt good to be out in, we enjoyed each family as they began to gather about 9:30. New babies and all the children looked so cute in their best "bib and tucker"! All the brothers were there, only the Sister did not come, Jay's wife's father, was killed on Thursday and funeral on Saturday so they did not come. Mother was there and seemed to be lots better and seemed to enjoy the day, for it was her second visit from home since she was sick. Willa was absent on account of illness. Dinner was served under the trees in yard and it was a pretty sight to see with all the good things to eat. Barbacue, Stew, Chicken and Dressing, Fried Chicken, Beef Salads, Sandwickses, Pickles, Pies and Cakes. The Birthday cake was Lemon Chiffon, white icing and decorated with cherries. Everyone enjoyed themselves: Paper account as:

## Upchurch Family Pays Tribute To Deceased Member

*Free Press Times*  
For more than 30 years the family, friends and relatives of "Uncle Tom" Upchurch have met on the first Sunday in October to honor his birthday.

Since his passing several years ago, they still meet to honor his memory. Last Sunday the celebration was held at the home of Mr. and Mrs. C. L. Upchurch with 60 present.

They came from Chattanooga, Birmingham, Atlanta, Marietta, Carrollton, Bowdon and Mt. Zion. Reported by Mrs. Rob Alexander, Burwell correspondent.

## Annual Upshaw Reunion Held At Burwell

*Georgia*  
The annual Upshaw reunion was held Sunday at Burwell at the home of Mr. and Mrs. C. L. Upchurch. Mr. Upchurch is one of six brothers, all of whom were present, and also the mother, Mrs. T. H. Upchurch. The brothers and their families are: Mr. and Mrs. H. E. Upchurch, Chattanooga, Mr. and Mrs. T. R. Upchurch of Birmingham, Mr. and Mrs. J. Shields Upchurch of Carrollton, Mr. and Mrs. J. A. Upchurch of Burwell and Mr. Manard Upchurch. Other relatives and friends made up the happy gathering of 75 people. There is one sister, Mrs. Paul Johnson of Birmingham, but she was unable to attend.

present were: the Rev. and Mrs. W. L. Norris and Mrs. Coffee, of Bowdon, the Rev. and Mrs. Dudley of Mt. Zion and the Rev. and Mrs. J. W. Segars and Mrs. Julia Newberry. The barbecue and picnic lunch was served on long tables arranged in the yard. Grace was by the Rev. Norris.

76

Guests were: Mr & Mrs Homer Upchurch, Stan & Christine  
Mr & Mrs Ralph Upchurch, Caroline & Lanette  
Mr Abner Upchurch, Tommie  
Mr John McGiboney  
Mrs Baulah Upchurch, Maynard  
Mr Jim Jeter  
Mr & Mrs Lake Upchurch, Vickie  
Mr & Mrs James Upchurch, Carol  
Mr & Mrs Shields Upchurch  
Mr & Mrs James Upchurch, Marian & Martha  
Mr & Mrs Glynn Upchurch, Bobbie  
Mrs Cohen Jackson, Nancy, Mildred Jackson  
Mr & Mrs Bubbie McGahee, Jimmie  
Dr & Mrs Guillebeau  
Mr & Mrs Arthur Griffies  
Mr & Mrs <sup>w</sup>Sayne Upchurch ~~Bonnie & Wayne, Jr.~~  
Mrs ~~Elster~~ Richardson  
Mr & Mrs Hyatt Upchurch  
Mr & Mrs Merrell Carpenter  
Rev. & Mrs Norris, & 3 daughters & Mother  
Rev & Mrs Dudley  
Two Visitors of Edna's  
Mr & Mrs Charles Upchurch  
Carrie, the maid.

New Babies in family, Vickie, Martha & Jimmie



1951

### Miss Jeter to Wed Derrell Hightower

Mr. and Mrs. Jim Jeter announce the engagement of their daughter, Lillian Faye Jeter, to Mr. Derrell Hightower, the son of Mr. and Mrs. Alton H. Hightower.

The wedding will take place Friday evening, October 12 at the Methodist Parsonage in Bowdon. Only the members of the immediate family will be present.

Miss Jeter is a graduate of Carrollton High School and of Carrollton School of Commerce and is employed at the Dianna Shop as cashier and bookkeeper.

Mr. Hightower is a graduate of Bowdon High School and is associated with the Stylewise Hosiery Mill.

The couple will reside at 61 South Street, Carrollton.

### SHOWER GIVEN FOR MISS JETER

Mrs. Bobby Smith and Miss Lillian Robinson entertained with miscellaneous shower Friday evening honoring Miss Lillian Faye Jeter at her home.

Dahlias and other fall flowers decorated the home.

Numerous games and contests were enjoyed during the evening.

Delicious refreshments were served by the hostesses, assisted by Mesdames Jim Jeter, Jere Pound, Ralph Eady and Horace Weight.

About 50 guests attended.

*Mother's niece  
& one we love for  
she is Mr Jim Jeter's  
daughter.*

### Shiloh Rites For J. W. Upchurch, 69, Farmer At Burwell

John William Upchurch, 69, died at his home on Route 2, Bowdon, Friday night after an illness of several years. He had been in serious condition for three weeks.

Mr Upchurch was born March 1, 1882, the son of the late Carrie Turner and George Upchurch. In 1908 he married Miss Ruby Ashmore. Mr. Upchurch had worked as a farmer in the Burwell Community most of his life. He was a member of the Shiloh Methodist Church.

Survivors include his wife; two daughters, Miss Kathleen Upchurch and Mrs. Wendell Mashburn of Carrollton; four sons, Loren and Horace Upchurch of Carrollton, Felix Upchurch of Atlanta, and Bill Upchurch of Jacksonville, Fla.; one sister, Mrs. H. G. Garrett of Villa Rica; and one brother, J. E. Upchurch of Atlanta. Three sons preceded him in death.

Funeral Services were conducted from the Shiloh Methodist Church at Burwell Sunday afternoon with Rev. W. H. Norris officiating. Interment was in the church cemetery.

### John W. Upchurch Passes Away Friday Night on Bowdon Rt. 2

John William Upchurch passed away at his home on Bowdon, Rt. 2, Friday night after an illness of several years. He had been in serious condition for the past three weeks.

He was born March 1, 1882, the son of the late Carrie Turner and George Upchurch. In 1908, he married Miss Ruby Ashmore. Mr. Upchurch had worked as a farmer in the Burwell community most of his life. He was a member of the Shiloh Methodist Church.

Survivors include his wife, two daughters, Miss Kathleen Upchurch and Mrs. Wendell Mashburn, of Carrollton; four sons, Loren Upchurch and Horace Upchurch, of Atlanta, and Bill Upchurch, of Jacksonville, Fla.; one sister, Mrs. H. G. Garrett, Villa Rica; one brother, J. E. Upchurch, of Atlanta. Three sons preceded him in death.

Funeral services were conducted from the Shiloh Methodist Church at Burwell, Sunday at 3:30 o'clock with the Rev. W. H. Norris officiating. Interment was in the church cemetery. Joe McGiboney was in charge of the music.

Serving as pallbearers were Harvey Copeland, Horrie Stallings, Wyley Allgood, Charlie Musick, C. N. Eason and Parks Musick. Almon Funeral Home was in charge of arrangements.

*Mr John W Upchurch  
passed away  
20-1951- he was  
son of Geo Upchurch*

*James + Wilma  
moved to their new  
home Jan 16-1952-  
in Sunset Hill.  
Mary Lou Upchurch  
Born Feb 12-1932 at 8:30  
midnight.*

*Mrs. James  
of Leary's Avenue  
arrived at 8:30  
midnight*

Sandra Ann Jackson  
born May 16-1952 to Mr +  
Mrs Cohen Jackson.  
at Tanner Memorial Hospital

Barbara [redacted] [redacted] in finishing  
high school - 5/26/52-

**UPCHURCH-ROWLAND**  
Barbara Ann Upchurch, daughter of Mr. and Mrs. J. A. Upchurch  
of Burwell, to Bobby A. Rowland of Bowdon. The wedding will take  
place at an early date.  
May 26 - 52

Mr Ira Parrish passed away on June 15-1952  
at 5 o'clock (Sun aft) - Funeral was held Mon after  
at [redacted]

**Long Illness Fatal  
For Ira Parrish**

Ira Parrish, 53, died in the  
Cullman Hospital on Sunday after  
a long illness.  
Rev. Gus Buttram conducted  
funeral services at Berlin on June  
16 and Moss Service directed the  
burial.  
Surviving are one sister, Mrs  
Mary Neumann and three  
brothers, [redacted] O. and Milton  
Parrish.

James Ray Upchurch borned  
Sept 11-52 at 5 o'clock son of Mr  
& Mrs James Upchurch at Tanner Memorial

Mr. and Mrs. James Upchurch  
are the proud parents of a new  
boy, named James Ray.

1952

Charles & Shields Upchurch attended the Upchurches' Reunion on Aug 24-1952 at the home of William Upchurch Linville N.C. He being son of Willie Upchurch, who was a cousin to Mr Tom Upchurch, Shields' father. He carried them to the church & cemetery where his Upchurch family was buried. He being the Great, Great, Grandfather of Shields & Charles. Had nice day & enjoy it very much having heard of his people, that he knew nothing of.

- Mr Henry Upchurch is son of Charles Upchurch & grand son of Willie Upchurch (his) mother was India Paterson.
- Mr Willie Upchurch is grand son also.

Mr. & Mrs. Red Dennis, Chicago, Ill. have adopted a baby boy, named Jay Wallace, his mother is the former Miss Bobbie Johnson, (May's daughter).

Upchurch Reunion  
1952  
The Upchurch reunion was held Sunday at Burwell at the home of C. L. Upchurch. We attended and met many from far and near. We especially were glad to have those from Birmingham and Lineville.  
Oct 5-52

**UPCHURCH-ROWLAND**

Barbara Ann Upchurch, daughter of Mr. and Mrs. J. A. Upchurch of Burwell, to Bobby A. Rowland of Bowdon. The wedding will take place at an early date.  
May 26 - 52

Mr. & Mrs. Homer Upchurch  
announce wedding of Christine  
Oct 4 - 1952

Christine and  
George are  
both deaf.

**Upchurch-Majka Wedding**

Mr. and Mrs. Homer Upchurch announces the marriage of their daughter, Christine to George Majka of Chicago, Saturday, Oct. 4th, Rossville, Ga. 10/16/52

Charles Upchurch, chairman of  
Mr. [redacted] left 7-1-52

**Plan Memorial At Smith's Chapel**

Memorial services will begin at Smith's Chapel Church at 10:30 a.m. Sunday, announces Charles Upchurch, chairman of the program committee.  
During the morning there will be a song service, prayer by Ernest Foster, welcome address by James Sherrill and a sermon by Rev. John Minter of the Shiloh Methodist Church.  
Following a basket lunch, there will be an assembly in the church and another song service, memorials to John Upchurch and W. E. Foster, a song in memory of Jim Leopard, a business session and a closing prayer.

**Memorial Service at Smith's Chapel Church**

A memorial service is planned for Sunday at the Smith's Chapel Church, with Charles Upchurch chairman.  
Program will get underway at 10:30 in the morning, with a song service. W. E. Foster will lead in prayer, and James Sherrill will deliver the welcome address.  
The Rev. John Minter will preach the sermon, after which a basket lunch will be served.  
Afternoon memorials will be for John Upchurch by W. E. Foster, and a song in memory of Jim Leopard.

Mr. and Mrs. Derrell Hightower announce the birth of a daughter, Carolyn Faye, October 13th at Tanner Memorial Hospital.  
10/16/52

**Bucklew-Hearn Wedding Announced**

Mrs. Carl C. Bucklew, of Mt. Zion and Atlanta, announces the engagement of her daughter, Miss Lottie Jean Bucklew to James Asbury Hearn, both of Atlanta.  
Miss Bucklew is employed by the Federal Bureau of Investigation and Mr. Hearn is connected with J. Austin Dillon Co., Funeral Home.  
The wedding will take place Sunday, November 10th at East Point Avenue Methodist Church at 12:15 (high noon). The ceremony to be performed by bride-elect's brother-in-law, Rev. W. M. Bishop.  
The union will bring together two very prominent Carroll County families.

1952

Upchurch reunion was held on October 5, 1952. at the home of Mr Charles Upchurch with the usual crowd, some of the family was absent and were missed by all. It was a beautiful day and the fellowship great. We had with us Mr & Mrs Willis Upchurch, Mr & Mrs Jack Upchurch, Beverly and Judy, and Mr Henry Upchurch from over near Lineville, Ala. We enjoyed having them with us and hope that they will visit us often. Two new babies in the family, Marylou Upchurch, daughter of Mr & Mrs James Upchurch of Carrollton, Ray, son of Mr & Mrs James Upchurch of Burwell. The other one not present is Jay Wallace Dennis, son of Mr & Mrs Red Dennis of Chicago. Christine, daughter of Mr & Mrs Homer Upchurch was married on Sat. October 4, 1952 and her brother Harold Upchurch was sick from an operation and not any of the family came. They were missed by all. A wonderful dinner was served on the lawn, consisting of all the good things the "cooks" of the family are famous for. We had barbacue and stew this time and in fact with the other meats we could not get around.

Those present were: Mr Henry Upchurch, Mr & Mrs Willis Upchurch, Mr & Mrs Jack Upchurch, Beverly & Judy, Lineville Ala. Dr & Mrs R.E. Guillebeau, Atlanta, Ga. Mr & Mrs Merrell Carpenter, Atlanta, Mr & Mrs Lake Upchurch & Vickey, Mr & Mrs James Miller & Himmie & Karen Mr & Mrs Arthur Holmes, Mr & Mrs Glynn Upchurch & Bobbie, Marietta, Mr & Mrs Cohen Jackson, Nancy & Sandra, Mr & Mrs Abner Upchurch, T ommie Upchurch, Mrs Barbara Rowland, Mr & Mrs Hyatt Upchurch, Augusta, Mrs Ed Gardner, Mrs May Johnson, Miss Margrat Johnson, Mr & Mrs Ralph Upchurch, Miss Lanette Upchurch, Birmingham, Mr Maynard Upchurch, Mrs Beulah Upchurch, Mr Bruce Harris, S.C. Mrs Marie Harris, S. C.

1952

Mr & Mrs James Upchurch, Marian, Martha & Marylow,  
Mr & Mrs Mostella Cost, Stella Mae & Mostella, Jr.

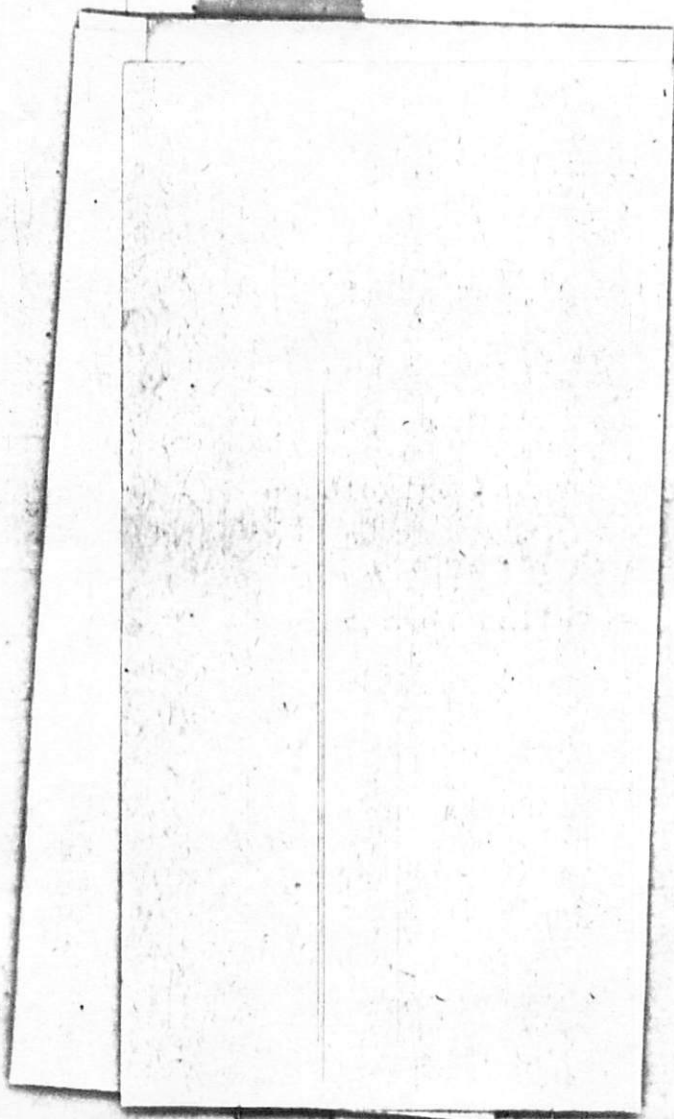
Mr John McGiboney, Mr & Mrs Joe McGiboney, Mrs Fleta Richardson,

Mr & Mrs James Upchurch, Carole & Ray, Miss Caroline Upchurch,

Mr & Mrs Charles Upchurch, Rev John Minter & Mrs Minter,

Mr & Mrs Shields Upchurch.

Mrs Mag Holmes passed away November 17, 1952, at 9:20 after a brief illness. Mother Upchurch fell and was in the hospital with three broken ribs for ten days. Thurs. Nov. 6--Nov. 16. She is doing fine now.



# Carroll Rites For Mrs. Holmes

Special to The Atlanta Journal  
CARROLLTON, Ga., Nov. 18—  
Funeral services were held Tuesday for Carroll County's oldest schoolteacher, Mrs. Margaret Holmes, age 71, of Carrollton, died Monday morning in a local hospital following a brief illness.

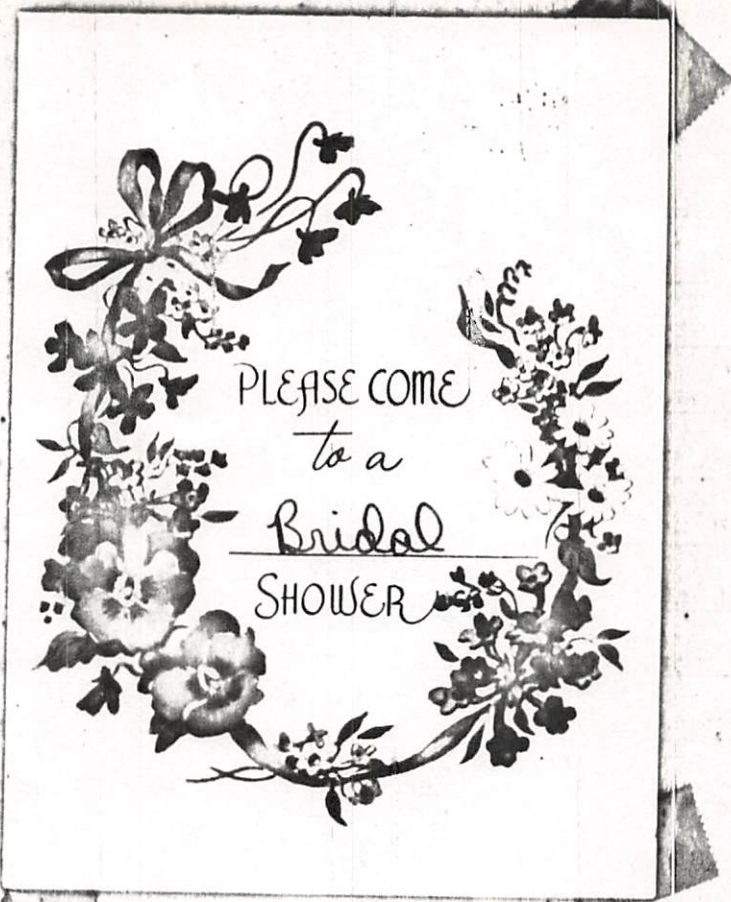


"Miss Maggie" as she was affectionately known by several generations of school children, was the oldest school teacher in the county from the standpoint of service, having taught 51 consecutive years. During the 51 years she had lost less than two months from the school room because of illness. For the past eight years she had been on the faculty of the Smyrna School on the Breman Rd. where she taught all day only last Thursday.

**FUNERAL SERVICES** were held from the Mt. Zion Methodist Church with the Rev. Howard Odum officiating, assisted by the Rev. Wesley Thomas and the Rev. Lawrence Akin.

Mrs. Holmes was born in Carroll County. For the past several years she has lived in the Pleasant View community on Breman Rd., moving there from near Mt. Zion.

Surviving are her husband, Arthur B. Holmes; a son, Barnes Holmes, Gainesville, Fla.; three grandchildren, Arthur, Becky, and Cindy Holmes, all of Gainesville, Fla.; a brother, T. D. Alexander, Fitzgerald; two sisters, Mrs. Robert Garrett, College Park, and Mrs. John Ingram, Hapeville.



*Mrs. Baines Lowans, of Columbia S. C. died Nov 13-1952. (wife of Baines Aunt Mattie's oldest son)*

*Miss Margaret Johnson & Mr Bruce Harris were married March 21-1953. in Miss. Will live in S. Carolina*

Mrs. Beulah Upchurch has returned to her home after several days in Tanner Memorial Hospital where she was treated for fractured ribs. She is recuperating quite satisfactorily. *Nov 20 1952*

Mr. and Mrs. H. E. Upchurch of Chattanooga and Mr. and Mrs. Don Upchurch and Ronnie of Chamblee visited the Upchurch and Alexander families in Buwell Saturday. *9/23/52*

\* \* \*  
A man carrying two rifles that he said were Christmas gifts for Reagan was arrested at the White House, a Secret Service spokeswoman said. Malcolm M. Upchurch of Baltimore faces various weapons charges, she said. The White House recently has been tightening security.  
\* \* \* *12-22-53*

UPCHURCH FAMILY  
REUNION

(84)  
OCT. 2, 1983

Paul Johnson ✓	Pat Upchurch ✓
Mary Johnson ✓	Martha Sosby ✓
Ralph Upchurch ✓	David Sosby ✓
Leigh Simul ✓	Lanette Sosby ✓
Wilma Upchurch ✓	Michelle Sosby ✓
James Upchurch ✓	Karen Lawson ✓
Robbin Di Dio ✓	
J. Shields Upchurch Jr. ✓	
Dan Upchurch ✓	
Jennifer Upchurch ✓	
Benjamin Upchurch ✓	
Edna H. Upchurch, ✓	Chatta, Jenn
Wayne Upchurch, Sr ✓	" "
Perry Digby ✓	
Jessie Digby ✓	
Lynette Estock ✓	
Shirley Upchurch ✓	
Estelle Upchurch ✓	
Don Upchurch ✓	
Sharon Upchurch ✓	
Ronnie Upchurch ✓	
Todd & Cameron Upchurch	
Ann Upchurch ✓	
Stan Upchurch ✓	



Laura May Miller ✓

Aug. 24, 1962

Jon Paul Miller ✓

Kay Miller ✓ and James

Angela Davis ✓

Hima Windom ✓

Matt Windom ✓

Lake Upchurch ✓

R. B. Watson ✓

Alice A. Rowland ✓

Kerby Reid ✓

Asley Reid ✓

Nathan Reid ✓

Hickie Reid ✓

Gaije Cairnes ✓

Michael Cairnes ✓

Jim Cairnes ✓

Tom Upchurch ✓

Pat Upchurch ✓

Lisi Ann Upchurch ✓

Carolyn Price ✓

Bill Price ✓

Maynard Upchurch ✓

23

- Bobby Upchurch ✓
- ~~Shirley Upchurch~~
- Michelle Upchurch ✓
- Mr + Mrs George Majka ✓
- Wayne K. Upchurch, Jr. ✓
- Carla Upchurch ✓
- Grady Upchurch ✓
- Art & Ed Jones ✓
- Pete Upchurch ✓
- Worrel Upchurch ✓
- Jo Rowland Stegner and Mike Stegner ✓
- Kathleen Upchurch ✓
- Mrs Mae Upchurch ✓
- Donald R. Upchurch ✓
- Margaret & Norman Davis ✓
- Robert M. Carpenter ✓
- Jimmie Lou Craven ✓
- Wayne Price ✓
- Chucky Skator ✓
- Ed Sanders ✓
- Cecil Gardner ✓
- Lyatt & Tommy Upchurch ✓
- Darlene Price

2/8

Abner Upchurch ✓

Willa Upchurch ✓

Beth Rowland ✓

Frances Upchurch ✓

Geraldine Upchurch ✓

† Ralph Upchurch ✓ & Myrtle

Edwin Windom ✓

Carol Upchurch Windom ✓

Alan Upchurch Jr. ✓

David Estor ✓

William J. Upchurch ✓

Felix Upchurch ✓

Hilte Upchurch ✓

Joseph O. Oio ✓

David Estor ✓

# UPCHURCH FAMILY REUNION

88

Oct 7, 1984

Paul Johnson  
Dale Upchurch  
James Upchurch  
Mary Jackson  
C. C. Jackson (Jack)  
Ray Miller  
James Miller  
Ralph Upchurch  
Myrtle Upchurch  
Mrs. Mae Upchurch  
Christine Upchurch  
Mary Johnson  
Dobby Upchurch  
Maynard Upchurch  
Claire Gardner  
Ed Gardner  
Frances Upchurch  
Labe Upchurch  
Ray T. Fuller  
Vicki Fuller  
Brian Cleveland  
Ronald Cleveland  
Kari Fuller (9-5-84)  
Nancy Lewis

- Amy Reiss
- x Mary Hope Conn
- Martha Upchurch Sosby
- Cardeyn Sosby (Michelle)
- Lanette Sosby
- Edna H. Upchurch
- Wayne Upchurch Sr
- Wayne Upchurch Jr.
- Carla Upchurch
- Grady Upchurch
- Randy Kilgore - (Bonnie's son)
- Kirby Reed
- Hicki Reed
- Nathan Reed
- Aspley Reed
- Jim Cairnes
- Jim Cairnes
- Carson Cairnes
- Bair Cairnes
- Michael Cairnes

Barbara

- Suzanne Stogner 6-22-84
- John, Pat & John Upchurch
- Jo Rowland Stogner
- Michael Stogner

- Bernard Watson
- Abner Upchurch + Wilma
- Michelle Upchurch
- Shirley Upchurch
- Bonnie Upchurch (Jerry Kilgore) Kellie + Randy
- B. Fred Jones
- Barbara, Bob, Beth and Robert Rowland
- James, Geraldine and Larry Upchurch
- Carol Windom, Gina + Matt
- NORMAN & MARGAROT DOVIS w/ BOB CARPENTER**
- Estelle - Don Upchurch
- Hyatt + Tommye Upchurch
- Bill and Carolyn Price
- George + Christine Majka
- Jessie B. Digby
- Jim, Cheryl & Andrew Dyke
- Jimmy Lou Craven
- Mae Upchurch
- R. Merrill Carpenter
- Harold and Lynette Estock
- David Estock
- Hayne Price
- Ron and Sharon Upchurch -

Tedd Upchurch

Cameron Upchurch

Christopher <sup>Rippon</sup> Upchurch 3-17-1984

James Diker, Pastor, Shiloh Church S.E.

Kathleen + Horace upchurch

ann  
Maria Rickett May 5

10-6-85

(92)

Lake C. Upchurch

Charles "Bobby" Upchurch

Maynard Upchurch

James W. Miller

Shirley Upchurch

Michelle Upchurch

Berta Griffies

Wm Upchurch Jr.

James H. Upchurch

Wilma H. Upchurch

Mary Upchurch Jackson

Jack Jackson

Blinn Upchurch

Christine Upchurch

Tom & Patsy Upchurch

Ed & Alice Marty

Wagne Upchurch Sr., Sr.

Edna Upchurch

Ann Upchurch

Stan Upchurch

Christine Mayka

George Mayka

Bob Johnson

Brenda Johnson



Mike, Jo and Barbara Suzanne Stogner  
Pam, Shelia, Jennifer and Ben Upchurch

R.M. Carpenter

B. Fred Jones

Bobby, Barbara Robert & Seth Rowland

Bonnie (Upchurch) Jerry Kilgore  
Children - Kellie and Randy

- Scott Johnson
- Bryan Reynolds
- Jo Paul Johnson
- Mary Johnson
- Steve + Deana Chapman
- Harold + Lynette Estock
- David Estock
- Ralph Upchurch
- Myrtle Upchurch
- Don Upchurch
- Myrtle Upchurch
- Fanny Upchurch
- Frances Upchurch
- Ricky Cleveland
- Vicki Fuller
- Karri Fuller
- Rob S. Fuller
- Nancy Lewis
- Jenny Lewis
- Amy Lewis
- Mary Hope Conn (friend)
- Christene Upchurch -
- Estelle Upchurch

Carolyn U. Price

Darlene Price

Wayne Price

Martha U. Sosby

Michelle Sosby

Lanette Sosby

William Upchurch

Scott Johnson

Bryan Reynolds

Carl Windem

Dana Windem

Matt Windem

Jemie Digby

JACK & MINA UPCHURCH - P'COLA, FL

Lam & Shiebs Upchurch Jennifer & Ben - Carrollton

Thomas Ralph Upchurch

Hiram & Karol Ann Upchurch Jr. Macon, Georgia

James & Mary P. Waller, Cellman, AL

Erna U. Blackwell

Ed & Lois Gardner

Opal Upchurch Cooper

Jim, Cheryl, & Andrew Dykes

Geraldine Upchurch

Larry Upchurch

Christine Majka  
George L. Majka  
Kay Miller

Oct 5, 1986

(17)

1. Paul Johnson ✓
2. Mary Johnson ✓
3. Ralph Upchurch ✓
4. Myrtle Upchurch ✓
5. Lois Gardner ✓
6. Ed Gardner ✓
7. Bill Price ✓
8. Carolyn Price ✓
9. James Upchurch ✓
10. Wilma Upchurch ✓
11. Michelle Jorgensen ✓
12. Darlene Price ✓
13. Pam Upchurch ✓
14. Ben Upchurch ✓
15. Jennifer Upchurch ✓
16. ~~Shirley Upchurch~~ ✓
17. Bryan Estock ✓
18. Darlene Price ✓
19. Ralph Upchurch ✓
20. Betty Clements ✓
21. Tommy Upchurch ✓
22. Hyatt Upchurch ✓
23. Harold Estock ✓

Upchurch →  
Seaton  
Lynn  
Carol?  
Ed  
Anna  
Mary  
Bobby  
Patricia

10-5-86

(92)

24. ESTELLE & DON UPCHURCH ✓
25. Kay & James Miller ✓
26. Niomi S. Lynchuk. Sr. ✓
27. Stephen Estock ✓
28. David Estock ✓
29. George & Christine Majka ✓
30. Bob, Kirby Reid ✓
31. Vicki, Nathan & Ashley Reid ✓
32. Bernard Water ✓
33. James M. Dykos Jr ✓
34. Andrew M Dykos ✓
35. Ron, Todd, Cameron & Christopher Upchurch ✓
36. Roy, Vicki & Karri Fuller ✓
37. Lynette Upchurch Estock ✓
38. Jo Wgn, ✓
- 38 Suzanne ✓
- 39 Bobby Rowland ✓
- 40 Abner Upchurch ✓
- 41 Tom Upchurch ✓
- 42 Tom Johnson ✓
- 43 Cynthia Johnson ✓
- 44 Paul Johnson ✓
- 45 Cara Goage ✓

Fannie Lee Morris Krueger ✓

(19)

10-5-86

J. D. Murr ✓

Eris Muse ✓

Kathleen Upchurch ✓

Charles Pollard<sup>1563</sup> ✓

Mrs Lois Pollard<sup>1154</sup> (C.O.) Little Switzerland N.C. 28749 ✓

Mrs. Perry Lee Digby - Bowden, Ga. 30108

Mrs. Charles Upchurch ✓

James P. <sup>3133</sup> <sup>3128</sup> <sup>3128</sup> Martini ✓

James Upchurch & Geraldine ✓

Shirley Upchurch ✓

Wyatt & Tommy Upchurch ✓

Wendy & Christine Upchurch ✓

Lake Upchurch ✓

Maynard Upchurch ✓

Hazel Upchurch ✓

Oct 4, 1987

(100)

Mary Johnson

Paul Johnson

Willa Beth Rowland

Barbara W. Rowland

Keith B. Miller

James W. Miller

Kay Miller

Mary Jo Marlin

James Martin

James Danny Martin

Wyatt Upchurch

Wayne Upchurch Sr.

Myrtle + Connor Dillard (Wayne's friend)

Edna + Wayne Upchurch <sup>Cave Springs, Ga</sup> - Chott, Sean

Martha Sosby

Jo Rowland Benefield + Suzanne

Shields Upchurch, Pam, Jennifer, and Ben.

Carol, Hina + Matt Windom

Lee + Michelle Ojensen

Larry Upchurch

Alvin + Christine Upchurch

Bob + Kirby Reid + Mike + Martha + Abby

Jennett + Cairnes



Tommy Upchurch

Patty Upchurch

Ralph Upchurch

Don Upchurch

Myrtle Upchurch

James P. Upchurch

Lora P. ~~Upchurch~~

Bernard Watson

Bazie Cairnes

Michael Cairnes

Wilma Upchurch

Deana Chapman

Drew Chapman 10/16/86 ← Andrew Rose

Steve Chapman

Harold Estock

Lynette Estock

David Estock

Bryan Estock

Amy Mitchell - David's friend

old Ralph Upchurch

Estelle Upchurch

Christine Majka

Ann Upchurch

Christine Upchurch

Norm S. Upchurch Sr.  
Bill and Carolyn Price  
Ed and Clair Gardner  
Michelle Sosby  
Janette Sosby  
Karen Dawson ✓

Sharon Upchurch  
Christopher Upchurch  
Ron Upchurch  
Cameron Upchurch  
Grady Upchurch  
Wayne + Carla Upchurch  
Horace Upchurch  
Maynard Upchurch  
John W. Moon  
Bobby + Barbara Rowland  
Joe + Pat Upchurch  
Kathleen Upchurch  
Bob Carpenter

James Upchurch (Shields)  
Pat Upchurch + Dennis + Kim + Jeff

Shields



JAMES PAUL JOHNSON, JR

XJD-7763

UPCHURCH FAMILY - PUBLICATIONS AVAILABLE

ORDER FORM

REC'D  
20 DEC 2003

The Upchurch family in America has been served by two publications. The UPCHURCH BULLETIN links 52,800 members of the extended Upchurch family. In 1996 a new publication ENGLANDIA - The Upchurch Family of Old England was started. It covers American Upchurch relatives who lived in England in the 1500-1800 era. It is no longer published but back issues are available..

I. UPCHURCH BULLETIN - I WISH TO ORDER AS FOLLOWS:

A. Subscription\* for Vol. 25 (2 issues) @ \$10.00 for the volume.

B. Unbound back volumes (4 issues) @ \$20.00/volume:

S-----	\$-----	\$-----	\$-----	\$-----	\$-----	\$-----	\$-----	\$-----	\$-----	\$-----	\$-----	\$-----
1980	1981	1982	1983	1984	1985	1986	1987	1988	1989	1990	1991	
S-----	\$-----	\$-----	\$-----	\$-----	\$-----	\$-----	\$-----	\$-----				

100.00

UBP-5.04

J. PAUL JOHNSON  
MARY A. JOHNSON  
312 CAHABA RIVER PARK  
BIRMINGHAM, AL. 35243

DATE Dec 17, 2003 7570

67-7568/2613 (BRCH15)

PAY TO THE ORDER OF

Robert P. Upchurch \$ 100.00

One hundred and no/100 DOLLARS



Paul Johnson MP

MEMO



2000 LIBERTY ENTERPRISES, INC.

III. Individual unbound back issues of UPCHURCH BULLETIN or

ENGLANDIA are available at \$5.00/issue [state year(s) and issue(s)]

IV. Donations In Support Of Upchurch Research, the UPCHURCH BULLETIN:

a. For general research \$ 90.00 b. For support as a memorial gift \$-----

For Memorial Gift: NAME-----

Relationship (Mother, Father, Brother, Sister, Etc.)-----

c. To Become An Underwriter of the UPCHURCH BULLETIN.

90.00

R.F.P. 1.04

GIFT TO: (Name & Address)-----

Indicate issue(s) desired)-----

\*Those on restricted budgets write for details.

TOTAL 100.00

Make check payable to: ROBERT P. UPCHURCH

NAME-----

ADDRESS-----

CITY-----STATE-----ZIP-----

J. Paul Johnson  
312 Cahaba River Parc  
Birmingham, AL 35243

Mail to: ROBERT P. UPCHURCH

351 Shetland Valley Court

Chesterfield, MO 63005-4840

(Note our address)



JAMES PAUL JOHNSON, JR

XID-7763

REC'D  
16 AUG 2003

Aug 13, 2003

Robert P. Upchurch  
351 Shetland Valley Court  
Chesterfield, Mo 63005-4840

J PAUL JOHNSON  
312 CAHABA RIVER PARC  
BIRMINGHAM AL 35243-3258

Dear Cousin Phil,

Thank you for your letter of Aug 5.  
It is always good to hear from you.

△+△

As to the identity of Teresa and Paul  
Fowler, they are my grandchildren by  
my son Thomas Allen Johnson.  
They are registered as XID Nos. 7775  
and 7776.

When Tom (7770) and Betty (7774)  
divorced, the children took the name  
of Maynor, their mother's maiden name.  
She (Betty) later married "Rusty" Fowler  
and they then became known by the  
last name of Fowler.

I'm sorry about the misunderstanding  
but nothing Tom touched followed the rules.

I'm happy to say that Teresa and  
Paul are fine citizens of W<sup>o</sup> Coll, B.C.  
All else is fine here in B'ham.

Sincerely,  
J Paul Johnson



I know you are relieved not to take care of <sup>(2)</sup> the big house - although it was indeed a beautiful home. We are now like you - in a village where everything outside is taken care of by others - and we are near two of our children. Homenet - we seem to be helping more with their affairs than they are with ours.

We are now about a 1 hour drive from our farms. We have 5 different operators that do the work and provide all inputs. Then we get a share of the crop. I still get out quite often and have a great interest in making sure soil conservation measures are put in place. I really enjoy walking over the land.

New information continues to arrive every week on the Upchurch family, it keeps me busy trying to keep it all organized. The work gives me a lot of pleasure. Your kind remarks are very much appreciated.

With All Best wishes to you & Mary.

Sincerely yours  
 (C) Phil Upchurch  
 [ROBERT PHILIP UPCHURCH]



JAMES PAUL JOHNSON, JR

XID- 7763

REC'D  
25 JUL 2003

7-22-2003

J. P. Johnson  
312 Cahaba River Parc  
Birmingham, AL 35243

205-967-7244

Dear Phil,

I need to report a change in our address. We have moved from Chattanooga and we now live in Birmingham, Alabama.

J PAUL JOHNSON  
312 CAHABA RIVER PARC  
BIRMINGHAM AL 35243-3258

We moved here to be near my son Robert so if we need any help with our affairs, he can help. It is good to get away from the responsibility of caring for the big house we had. We live in a nice 3 bedroom apartment in a gated community. We have been here since February and we have become settled and like it here.

I am sending you some vital statistics which you may already have.

We hope you and Saline are enjoying a good year on your farm.

Thanks for all you do for the Upchurch family.

Your Cousin  
Paul Johnson

BIRTHS

□ KEITH BRIAN MILLER — }  
 □ TIFFANY DORICE ELLIS — }

△ OLIVIA GREER MILLER  
 (b. 8-02-1998)  
 △ ALEX REID MILLER  
 (b. 11-05-2001)

△ ALAN JERREME GOIN — }  
 △ LEE ANN GOIN — }

△ JOSHUA SETA GOIN  
 (b. 2-13-2001)

△ JASON EDWARD VERNON — }  
 △ LESLIE WOOTEN — }

△ RIDLEY GARRET VERNON  
 (b. 6-25-2001)  
 △ GAVIN OAKLEY VERNON  
 (b. 6-25-2001)

7/2/14/13

△ TERESA LYNN FOWLER DOYLE — }  
 △ ~~CODY~~ ONIE ELMER DOYLE — }

△ CODY ONIE JOSEPH DOYLE  
 (b. 11-28-02)

△ JOEL SCOTT JOHNSON — }  
 △ TORI SHANNON ASBELL — }

△ ROBERT SCOTT JOHNSON  
 (b. 9-02-2002)

△ LAURIE ALEECE REYNOLDS CODY — }  
 △ BRYAN CODY — }

△ NACE ELIZABETH CODY  
 (b. 8-23-1998)

□ STEPHEN RAYMOND HAYNES — }  
 □ DEBRA LEE CARR — }

△ KATELYN HAYNES  
 (b. ? ? ?)

△ MICHAEL KEITH CAIRNES — }  
 △ KIMBERLY GAIL CAIRNES — }

△ LANEY ALEXIS CAIRNES  
 (b. 8-1-2005)  
 △ LOGAN MICHAEL CAIRNES  
 (b. 1-24-2003)

MARRIAGESMARRIED

- BOBBY RUTH JOHNSON DENNIS - TO - Δ GEORGE SMITH (b. 8-24-1927)      ?  
 Δ MICHAEL KEITH CAIRNES - TO - Δ KIMBERLY GAIL BURELLE (b. 10-06-1975)      5-03-1997  
 Δ JASON EDWARD VERNON - TO - Δ LESLIE WOOTEN (b. 8-3-1976)      ?  
 Δ ALAN JERROME GOINS - TO - Δ LEE ANN VEA (b. 1-15-1963)      ?  
 Δ JOEL SCOTT JOHNSON - TO - Δ TORI SHANNON ASBELL (b. 7-19-1975)      ?  
 Δ LAURIE ALEECE REYNOLDS CAMP - TO - Δ BRYAN CODY (b. 6-25-1972)      ?  
 Δ ASHLEY RENEE REID - TO - Δ HUGH PATRICK STODGEHILL (b. 12-05-1977)      6-23-2001  
 Δ MARY SUE JOHNSON - TO - □ RICHARD MADARIS (b. 1-15-1953)      (REARRIED)  
 Δ TERESA LYNN FOWER - TO - Δ ONIE ELMER DOYLE (b. 10-15-1955)      ?  
 Δ JOHN PAUL FOWER - TO - Δ JENNY ALFORD (b. 1-07-1974)      ?  
 Δ NATHAN ROBERT REID - TO - Δ JORDAN LLEWELLAND WATKINS (b. 4-29-1974)      11-30-2002

DIVORCES

- Δ JON PAUL MILLER and □ LAURA ELLEN MAY MILLER      ?  
 Δ LAURIE ALEECE REYNOLDS CAMP and Δ BRADLEY CHRISTOPHER CAMP      ?

DEATHS

DATE

Δ EDNA ODEL HERRINGTON UPCHURCH	12-27-2000
Δ CHRISTINE UPCHURCH MAJKA	2-12-1999
Δ JAMES WEAVER MILLER (SR)	1-02-1996
* Δ JAMES WILLIAM UPCHURCH	4-08-2002
Δ THOMAS GLENN UPCHURCH	5-01-1997
Δ MYRTLE MALENE FLETCHER UPCHURCH	9-23-2001
Δ HYATT REYNOLDS UPCHURCH	1-05-2001
Δ WILLA MARLOWE UPCHURCH	8-04-2000

[\* RPH records show William James U.]

JAMES PAUL JOHNSON, JR

①  
REC'D  
26 NOV 2002

UPCHURCH FAMILY - PUBLICATIONS AVAILABLE  
ORDER FORM

The Upchurch family in America has been served by two publications. The UPCHURCH BULLETIN links 51,600 members of the extended Upchurch family. In 1996 a new publication ENGLANDIA - The Upchurch Family of Old England was started. It covers American Upchurch relatives who lived in England in the 1500-1800 era. It is no longer published but back issues are available..

I. UPCHURCH BULLETIN - I WISH TO ORDER AS FOLLOWS:

- A. Subscription\* for Vol. 24 (2 issues) @ \$10.00 for the volume.
- B. Unbound back volumes (4 issues) @ \$20.00/volume:

10.00

\$-----	\$-----	\$-----	\$-----	\$-----	\$-----	\$-----	\$-----	\$-----	\$-----	\$-----	\$-----	\$-----
1980	1981	1982	1983	1984	1985	1986	1987	1988	1989	1990	1991	
\$-----	\$-----	\$-----	\$-----	\$-----	\$-----	\$-----	\$-----	\$-----	\$-----	\$-----	\$-----	
1993	1994	1995	1996	1997	1998	1999						

UB.6.02

J. PAUL JOHNSON  
MARY A. JOHNSON  
P. O. BOX 2125 PH. 423-821-3802  
CHATTANOOGA TN. 37409

Back volumes (2 issues) @ \$10.00/volume  
Yr. 2002 \$-----  
Volume: \$-----

PAY TO THE ORDER OF

DATE Nov 23, 2002 7142  
67-7568/2613 (BRCH15)

Robert P. Upchurch  
One Hundred and no \$ 100.00  
Tennessee Valley  
Downtown

Paul Johnson

DOLLARS

MEMO

MEMO  
⑆ 6011 375684 ⑆ 000464880103 ⑆ 7142

IV. Donations In Support

- a. For general research \$ 90.00
- b. For Memorial Gift: NAME \_\_\_\_\_  
Relationship (Mother, Father, Brother, Sister, Etc.) \_\_\_\_\_
- c. To Become An Underwriter of the UPCHURCH BULLETIN.

(s) BULLETIN: 90.00

GIFT TO: (Name & Address) \_\_\_\_\_  
Indicate issue(s) desired) \_\_\_\_\_

\*Those on restricted budgets write for details.

TOTAL 100.00

Make check payable to: ROBERT P. UPCHURCH

NAME J. PAUL JOHNSON  
ADDRESS P.O. Box 2125  
CITY CHATTANOOGA STATE TN ZIP 37409

Mail to: ROBERT P. UPCHURCH  
351 Shetland Valley Court (Effective 23 JUN 2000)  
Chesterfield, MO 63005-4840 (Note our address)

(over)

Name J PAUL JOHNSON  
PO BOX 2125  
CHATTANOOGA TN 37409-0125  
P.O.



JAMES PAUL JOHNSON, JR

✓ ①

THIS PACKET OF FORMS REC'D 18 FEB 1983 FROM JPJJA

Note: Information herein sent to RPA on 1/2 sheets. As of 30 JUL 2002 I reformatted them and compared to the master outline for the Thomas Homer U Family - see info except addresses already on

My Name Jannif A Upchurch Carpenter Birth Date 8-22-83  
My Address Deceased (8-4-1910) master outline. RPA]

Spouse's Name Will Carpenter Birth Date \_\_\_\_\_

Father's Name Thomas H. Upchurch Birth Date \_\_\_\_\_

Mother's Name Carrie Thurman Upchurch Birth Date \_\_\_\_\_

Children's Names Mary Carpenter Birth Date \_\_\_\_\_

Robert Merrill Carpenter Birth Date 02-18-07

Birth Date \_\_\_\_\_

My Name Homer E. Upchurch Birth Date 11-9-85

My Address Deceased (11-8-1957)

Spouse's Name Una E. (Digby) Upchurch Birth Date 6-14-91

Father's Name Thomas Homer Upchurch Birth Date 10-08-59

Mother's Name Carrie Thurman Upchurch Birth Date \_\_\_\_\_

Children's Names \_\_\_\_\_ Birth Date \_\_\_\_\_

My Name CHARLES L UPCHURCH Birth Date 2-25-94

My Address RT 7 Box 277 Died (4-8-1962)

Carrollton Ga 30117

Spouse's Name Mae Upchurch Birth Date 9-3-94

Father's Name T H Upchurch Birth Date \_\_\_\_\_

Mother's Name \_\_\_\_\_ Birth Date \_\_\_\_\_

Children's Names \_\_\_\_\_ Birth Date \_\_\_\_\_

Birth Date \_\_\_\_\_



My Name Rosa May Johnson Birth Date 7-08-91  
 My Address Deceased

Spouse's Name James Paul Johnson Sr Birth Date 11-14-89  
 Father's Name Thomas Homer Upchurch Birth Date \_\_\_\_\_  
 Mother's Name Carrie Thurman Upchurch Birth Date \_\_\_\_\_  
 Children's Names Bonnylyn Paul Johnson Birth Date \_\_\_\_\_  
Carrie Helen Johnson Birth Date \_\_\_\_\_  
J Paul Johnson Jr Birth Date \_\_\_\_\_  
Bobby Ruth Johnson Birth Date \_\_\_\_\_  
Margaret Ann Johnson Birth Date \_\_\_\_\_

My Name John Shields Upchurch Birth Date 7-26-1896  
 My Address Deceased (10-14-1980)

Spouse's Name Evie Johnson Upchurch Birth Date 7-28-1896  
 Father's Name Thomas H Upchurch Birth Date \_\_\_\_\_  
 Mother's Name Carrie Thurman Upchurch Birth Date \_\_\_\_\_  
 Children's Names James Shields Upchurch Sr Birth Date 8-19-26  
 Birth Date \_\_\_\_\_

My Name THOMAS RALPH UPCHURCH Birth Date MAY 1 1902  
 My Address 2728 - 27th St  
BIRMINGHAM ALA. 35208

Spouse's Name MYRTLE FLETCHER UPCHURCH Birth Date 5-13-04  
 Father's Name THOMAS HOMER UPCHURCH Birth Date ~~5-1-08~~ 10-8-  
 Mother's Name CARRIE THURMAN UPCHURCH Birth Date \_\_\_\_\_  
 Children's Names REYNOLDS HYATT UPCHURCH Birth Date 3-26-26  
BUNNY CLOIS GARDNER Birth Date 9-17-29  
TOMMIE CAROLYN PRICE Birth Date 11-27-30  
DORIS LYNETTE ESTOCK Birth Date 10-8-36  
 Birth Date \_\_\_\_\_

My Name WILL JAMES UPCHURCH Birth Date 2-4-1899  
 My Address Deceased 5-2-1908

9 years old.



My Name Abner Upchurch  
My Address Rte. 7 Box 261  
Carrollton, Ga

Birth Date Mar. 9, 1910 ✓

③

Spouse's Name Willa Maylow Upchurch  
Father's Name Thomas H. Upchurch  
Mother's Name Nannil Hearn  
Children's Names Barbara Ann  
Thomas S.

Birth Date Nov. 15, 1914  
Birth Date \_\_\_\_\_  
Birth Date \_\_\_\_\_  
Birth Date Sep. 5, 1934  
Birth Date Aug 10, 1939  
Birth Date \_\_\_\_\_

My Name MAYNARD UPCHURCH  
My Address Rt 7  
Carrollton, Ga 30117

Birth Date 1-29-14

Spouse's Name \_\_\_\_\_  
Father's Name THOMAS H. UPCHURCH  
Mother's Name BEULAH J. UPCHURCH  
Children's Names \_\_\_\_\_

Birth Date \_\_\_\_\_  
Birth Date 10-8-1859  
Birth Date \_\_\_\_\_  
Birth Date \_\_\_\_\_

My Name Mary Carpenter Guillebeau  
My Address Deceased

Birth Date 4-24-04

Spouse's Name Robert E. Guillebeau  
Father's Name WILL Carpenter  
Mother's Name Fanny Upchurch Carpenter  
Children's Names Anne Guillebeau Carter  
Barbara Guillebeau McGehee

Birth Date 1-24-02  
Birth Date \_\_\_\_\_  
Birth Date 8-22-1883  
Birth Date 9-24-30  
Birth Date 8-22-27  
Birth Date \_\_\_\_\_

My Name Robert Merrill Carpenter  
My Address 2386 Johnson Ferry Rd  
Chamblee Ga 30341

Birth Date 02-18-07

Spouse's Name Ethel R Carpenter  
Father's Name Deceased Will CARPENTER  
Mother's Name Deceased Fanny Up  
Children's Names No Children

Birth Date 12-09-08  
Birth Date \_\_\_\_\_  
Birth Date 8-22-1883  
Birth Date \_\_\_\_\_

My Name Dan Upchurch  
My Address \_\_\_\_\_

Birth Date 8-27-15  
Died 9-9-37

My Name Harold Edward Upchurch  
My Address Deceased

Birth Date 9-24-1909  
(8-28-1969)

Spouse's Name Christine Windham Upchurch  
Father's Name Homer E Upchurch  
Mother's Name Una C. Upchurch  
Children's Names None

Birth Date 7-17-1914  
Birth Date \_\_\_\_\_  
Birth Date \_\_\_\_\_  
Birth Date \_\_\_\_\_

My Name Wayne Upchurch Sr.  
My Address 1521 Sumner Ave.  
Chattanooga, Tenn 37412

Birth Date Jan. 10, 1913

Spouse's Name Edna H. Upchurch  
Father's Name Homer E. Upchurch  
Mother's Name Una C. Upchurch  
Children's Names Bernice Lee Kilgore  
Wayne R. Upchurch Sr.

Birth Date April 7, 1914  
Birth Date Nov. 9-1885  
Birth Date June 14, 1891  
Birth Date June 18-1941  
Birth Date August 5, 1943

My Name Christine (Upchurch) Maska  
My Address 2752 Bodd St, River Grove, IL, 60171  
new address - Ringold, Ga, 30736

Birth Date 5/27/16

Spouse's Name George Maska  
Father's Name Homer Upchurch  
Mother's Name WVA (Dugby) Upchurch  
Children's Names \_\_\_\_\_

Birth Date 4/18/15  
Birth Date 11/9/  
Birth Date 6/14/91  
Birth Date \_\_\_\_\_

My Name DONALD R. UPCHURCH  
My Address RT. 1 Box 15A  
WALESKA, GA 30183

Birth Date 8/14/20

Spouse's Name ESTELLE K.  
Father's Name HOMER E.  
Mother's Name UNA C. (DIGBY)  
Children's Names RONALD M.

Birth Date 6/11/21  
Birth Date 11/8/1886  
Birth Date 6/14/91  
Birth Date 5/5/46

My Name Ray Upchurch  
My Address Deceased

Birth Date 1921

5

My Name Thomas Glenn Upchurch Birth Date 9-19-16  
My Address 810 Stewart St  
Carrollton Ga. 30117

Spouse's Name <sup>Cathy Moore</sup> Margaret Christine Upchurch Birth Date Nov. 30, 1926  
Father's Name Charles L. Upchurch Birth Date Feb 25, 1894  
Mother's Name May Upchurch Birth Date Sept 3, 1894  
Children's Names Charles Robert Upchurch Birth Date July 19, 1941  
Birth Date \_\_\_\_\_

My Name Will A. Upchurch Birth Date 7-11-13  
My Address Carrollton Ga  
RF-7 Box 263

Spouse's Name Heraldine E. Upchurch Birth Date Oct. 27-27  
Father's Name Charles L. Upchurch Birth Date Feb 25-1894  
Mother's Name May A. Upchurch Birth Date Sept. 3-1894  
Children's Names Cathy Upchurch Birth Date March - - 1948  
Ray Birth Date Sept -12-1956  
Larry Birth Date July -12-1968  
Birth Date \_\_\_\_\_

My Name MARGARET JOHNSON HARRIS Birth Date 11-20-23  
My Address P.O. Box 641  
MAULDEN, SC 29662

FORMER  
Spouse's Name MAX BRUCE HARRIS Birth Date 01-18-28  
Father's Name JAMES PAUL JOHNSON Birth Date 11-14-1889  
Mother's Name MAY UPCHURCH JOHNSON Birth Date 07-08-1891  
Children's Names MAX PAUL HARRIS Birth Date 02-01-56  
Kelly Elizabeth HARRIS Emond Birth Date 02-13-57  
Birth Date \_\_\_\_\_

My Name LAKE Upchurch Birth Date 10-8-23  
My Address 5475 SAINT LO LANE  
COLLEGE PARK, GA. 30349

Spouse's Name <sup>Horned</sup> Frances H. Upchurch Birth Date 7-25-25  
Father's Name Charles Upchurch Birth Date Feb. 25-1894  
Mother's Name May A. Upchurch Birth Date Sept. 3, 1894  
Children's Names Vicki W. Fuller Birth Date 3-3-57  
PATTI W. Puckett Birth Date 6-29-57

My Name Bennidin J. Watson  
My Address 119-W. Brookwood Rd  
Bham, Ala. 35228

Birth Date 9-26-10

(6)

Spouse's Name Robert Bernard Watson  
Father's Name James Paul Johnson  
Mother's Name Rosa May Upchurch Johnson  
Children's Names Paige Watson Cairnes

Birth Date 12-10-10

Birth Date 11-14-1889

Birth Date 7-8-1891

Birth Date \_\_\_\_\_

Birth Date 7-16-1939

Birth Date \_\_\_\_\_

Birth Date 10-17-1945

Birth Date \_\_\_\_\_

My Name Hiram Standford Upchurch  
My Address 406 Shawnee TRAIL  
CHATTANOOGA, TENN 37411

Birth Date Feb 25, 1925

Spouse's Name Ann H. Upchurch  
Father's Name James E. Upchurch  
Mother's Name Anna C. Upchurch  
Children's Names \_\_\_\_\_

Birth Date July 26, 1920

Birth Date \_\_\_\_\_

Birth Date \_\_\_\_\_

Birth Date \_\_\_\_\_

Pam Digby Upchurch (deceased) <sup>18-28-55</sup>  
Kathryn Ann  
Hiram S. JR.

Birth Date Oct 22, 1947

Birth Date Aug 4, 1954

Birth Date Sept 24, 1956

My Name J. PAUL JOHNSON  
My Address P.O. Box 2125  
CHATTANOOGA, TENN. 37409

Birth Date 12-14-13

Spouse's Name MARY S. JOHNSON  
Father's Name JAMES PAUL JOHNSON, SR  
Mother's Name RASA MAY JOHNSON  
Children's Names THOMAS A. JOHNSON  
MARY SUE REYNOLDS  
ROBERT S. JOHNSON

Birth Date 11-08-16

Birth Date 11-14-89

Birth Date 7-08-91

Birth Date 1-02-45

Birth Date 2-15-48

Birth Date 12-04-50

DEC. 10-5-50

DEC. 6-28-78

My Name Kathryn A Upchurch Konderla  
My Address \_\_\_\_\_

Birth Date Aug 4, 1954

Spouse's Name Edward A. Konderla, Jr

Birth Date \_\_\_\_\_

⑦

My Name James Shields Upchurch, Sr. Birth Date 8/19/26  
My Address 105 Lee St.  
205 Carrollton, Ga. 30117

Spouse's Name Wilma Hamrick Upchurch Birth Date 2/25/28  
Father's Name John Shields Upchurch Birth Date 7/26/1896  
Mother's Name Evie Johnson Upchurch Birth Date 7/28/1896  
Children's Names Marian Upchurch Powers Birth Date 11/18/47  
Martha Upchurch Sosby Birth Date 12/13/50  
Marylou Upchurch Goldstein Birth Date 2/23/52  
James Shields Upchurch Jr Birth Date 3/17/54  
Patrick Steven Upchurch Birth Date 9/14/59

My Name Carolyn Upchurch Price Birth Date 11-27-30  
My Address 3421 Kettering Lane  
Birmingham 35243

Spouse's Name Bill (Wm. N.) Price Birth Date 9-1-32  
Father's Name Thomas Ralph Upchurch Birth Date 5-1-02  
Mother's Name Myrtle Fletcher Upchurch Birth Date 5-13-04  
Children's Names Susan Darlene Price Birth Date 1-22-64  
William Wayne Price Birth Date 8-10-65

My Name Reynolds Hyatt Upchurch Birth Date 3-26-26  
My Address 3222 Star Lake Circle  
Birmingham Ala. 35226

Spouse's Name Tommye Gannaway Upchurch Birth Date 8-10-29  
Father's Name Thomas Ralph Upchurch Birth Date 5-1-02  
Mother's Name MYRTLE FLETCHER Upchurch Birth Date 5-13-04  
Children's Names MARY JILL HARRIS Birth Date 9-27-54  
Ralph Hyatt Upchurch Birth Date 9-12-56

My Name Bobby Ruth Dennis Birth Date 4-10-20  
My Address 3143 N. 48th Street  
Phoenix, Ariz. 85018

Spouse's Name Edward Kenneth Dennis Jr Birth Date 4-20-23  
Father's Name James Paul Johnson Birth Date \_\_\_\_\_  
Mother's Name Rosa May Johnson Birth Date \_\_\_\_\_  
Children's Names Jay A Dennis Birth Date 5-2-52

My Name Mary Upchurch Jackson  
My Address 109 Trentwood Drive  
Rome, Georgia 30161

Birth Date 11-1-26

(8)

Spouse's Name Cohen Charles Jackson  
Father's Name Charles L Upchurch  
Mother's Name May Ashmore Upchurch  
Children's Names \_\_\_\_\_

Birth Date 3-16-25  
Birth Date 2-25-94  
Birth Date 9-3-94  
Birth Date \_\_\_\_\_

My Name Carrie Helen Johnson Miller  
My Address Rt 7 Box 257A 270A  
Carrollton, Ga 30117

Birth Date Dec. 14 - 1913

Spouse's Name James Weaver Miller  
Father's Name James Paul Johnson  
Mother's Name Moss May Upchurch Johnson  
Children's Names James Weaver Miller Jr.  
Karen Lynn Miller Vernon  
Paul Jon Paul Miller

Birth Date April 7 - 1907  
Birth Date Nov. 14 - 1889  
Birth Date July 8 - 1891  
Birth Date March 9 - 1942  
Birth Date Feb. 9 - 1945  
Birth Date Nov. 6 - 1954  
Birth Date \_\_\_\_\_

My Name EDWARD H GARDNER  
My Address 2601 - ALABAMA ST  
HUNTSVILLE ALA 35801

Birth Date 6-2-27

Spouse's Name BUNNY CLOIS Upchurch GARDNER  
Father's Name THOMAS RALPH Upchurch  
Mother's Name MYRTLE FLETCHER Upchurch  
Children's Names NONE

Birth Date 9-17-29  
Birth Date 5-1-02  
Birth Date 5-13-04  
Birth Date \_\_\_\_\_

My Name Lynette Upchurch Estock  
My Address 2224 Hunters Cove  
Birmingham, Ala. 35216

Birth Date Oct. 8, 1936

Spouse's Name Harold M. Estock  
Father's Name Ralph Upchurch  
Mother's Name Myrtle Fletcher Upchurch  
Children's Names Deana Jill Estock  
Stephen Thomas Estock  
David Harold Estock  
Bryan Edward Estock

Birth Date 6-2-34  
Birth Date 5-1-1902  
Birth Date 5-13-1904  
Birth Date 6-20-60  
Birth Date 4-10-64  
Birth Date 5-23-65  
Birth Date 7-26-67

Rowland

My Name BARBARA ANN UPchurch  
 My Address Rt 7 Box 279  
CAROLITON, GA 30117

Spouse's Name Bobby A. Rowland  
 Father's Name <sup>JOSEPH</sup> ADNER UPchurch  
 Mother's Name WILLA MARLOW UPchurch  
 Children's Names JO WYNNE Rowland  
ALICE ANN "  
ROBERT ANDREW "  
WILLA BETH Rowland

Birth Date Sept 5, 1934 (9) ✓  
 Birth Date SEPT 1, 32  
 Birth Date MAR 9, 10  
 Birth Date NOV 14, 15  
 Birth Date APR 2, 52  
 Birth Date JUN 26, 58  
 Birth Date NOV 19, 64  
 Birth Date FEB 7, 66

My Name Thomas S. Upchurch  
 My Address 209 Candy Circle  
Carrollton, Georgia 30117

Spouse's Name Patsy Hood Upchurch  
 Father's Name Abner Upchurch  
 Mother's Name Willa Upchurch  
 Children's Names John Matthew Upchurch  
Lisa ANN Upchurch

Birth Date 8/10/39  
 Birth Date 3/30/39  
 Birth Date 3/9/10  
 Birth Date 11/15/14  
 Birth Date 8/12/61  
 Birth Date 9/20/63

Note: This form is made for Mary Guillebeau's older daughter who lives in Dallas, Texas, & sent greetings to everybody by telephone ~~to~~ call to me, Mabel Carpenter Devore - ~~Decatur, Ga.~~ Decatur, Ga.

My Name Barbara Guillebeau McIshee  
 My Address 3776 Royal Court  
Dallas, Texas

Birth Date Aug. 22, 1927

(W.C.) Spouse's Name Clifford McIshee  
 Father's Name R. E. Guillebeau (Deceased)  
 Mother's Name Mary Carpenter Guillebeau  
 Children's Names James Mark McIshee  
Robert Clifford McIshee  
William Joseph McIshee

Birth Date Sept. 22, 1926(?)  
 Birth Date ? Deceased 1-24-02  
 Birth Date ? Deceased 4-24-04  
 Birth Date ?  
 Birth Date ?  
 Birth Date ?  
 Birth Date ?  
 Birth Date ?

Grandchild: Billy McIshee  
 (son of James mark)

Barbara Guillebeau Mc Gahee <sup>over</sup> [SEE BELOW - RPUB] ✓

(10)

My Name Barbara Guillebeau Mc Gahee Birth Date 8/22/27  
 My Address 3776 Royal Cove  
Dallas Tx 75229

Spouse's Name W. Clifford Mc Gahee Birth Date 9/22/26  
 Father's Name Robert E. Guillebeau Birth Date 1/24/02  
 Mother's Name Mary Carpenter Guillebeau Birth Date 4/24/04  
 Children's Names James Mark Mc Gahee\* Birth Date 1/20/51  
Robert Clifford Mc Gahee Birth Date 2/9/54  
William Joseph Mc Gahee Birth Date 10/14/55  
 \_\_\_\_\_ Birth Date \_\_\_\_\_  
 \_\_\_\_\_ Birth Date \_\_\_\_\_  
 \_\_\_\_\_ Birth Date \_\_\_\_\_

\* Married Jill Bombe 6/15/73 - They have one child - William Clifford Mc Gahee, born 6/30/78

Send to: J. Paul Johnson P.O. Box 2125 Chattanooga, Tenn - 37409

I was so glad to get this form from Mabel DeDore - she really enjoyed attending the reunion with Bob & Ethel a few weeks ago. Anne & I always looked forward to the Upchurch reunions, & hopefully one day we'll be able to do these again.

Only one of our sons is married - he & his wife live in Akron, Ohio, which is too far away for visiting grandparents, but we see them as often as possible.

Bob is working as a stockbroker here in Dallas - has his own apt.; Bill is an Ensign in the Navy - he's a pilot - leaving to fly jets, stationed at Kingsville NAS, Texas. They're gone different ways, but each one is doing very well & we are extremely proud of them. Cliff is with H. Regis Paper Co. - has been since he graduated from Ga. Tech. We've been in Dallas 8 yrs. now after living in Conn. & Pa. I'm definitely interested in any "family tree" that is printed. Let me know the cost. L. Eubank



Anne Guillebeau Carter

new address  
2506 21st Lane  
Yuma, Arizona 85364  
9-16-82

My Name Mary Anne Guillebeau Carter Birth Date 9/24/30

My Address 418 Northway  
Baltimore, Md. 21218

Spouse's Name Thomas Edwin Carter Birth Date 12/30/28

Father's Name Robert Elam Guillebeau Birth Date 1/24/1900

Mother's Name Mary Carpenter Guillebeau Birth Date 4/24/02

Children's Names: William Lee Carter (married to Birth Date 4/3/54

Julie Alice Moore, daughter Emily Birth Date \_\_\_\_\_

Alice Carter, born 8/20/79 Birth Date \_\_\_\_\_

2. Warren Leslie Carter (married to Birth Date 4/3/54

Shelba Lynn Shelton Birth Date \_\_\_\_\_

3. Allison Carter, Mark (married Birth Date 4/9/56

to Daniel Lee Mark)

Would be interested in knowing when the  
compilation of family members is completed.

Anne Carter

My Name Anne Guillebeau Carter Birth Date 9/24/30

My Address 418 Northway  
Baltimore, Md. 21218

Spouse's Name Thomas Edwin Carter Birth Date ?

Father's Name R.E. Guillebeau (Deceased) Birth Date ? Deceased 1-24-02

Mother's Name Mary Carpenter Guillebeau Birth Date 4-24-04

Children's Names See 7 Twin Boys Birth Date ?

Leslie Birth Date ?

\_\_\_\_\_ Birth Date \_\_\_\_\_

Allison (Mrs Danny Mark) Birth Date \_\_\_\_\_

Austin, Texas Birth Date \_\_\_\_\_

My Name Hiram S. Upchurch, Jr. Birth Date Sept. 22, 1956

My Address 7301 E Brainerd Road  
Chattanooga, TN 37421

Spouse's Name Susan Sells Birth Date \_\_\_\_\_

My Name Bonnie V. Kilgore  
My Address 102 Fair Street  
Chattanooga Tn. 37415

Birth Date 6-18-41 ✓

Spouse's Name Jerry R. Kilgore Jr.  
Father's Name Wayne Upchurch, Sr.  
Mother's Name Edna H. Upchurch  
Children's Names Kellie Leigh Kilgore  
Jerry R. Kilgore Jr.

Birth Date 2-9-39  
Birth Date 1-10-13  
Birth Date 4-7-14  
Birth Date 5-13-69  
Birth Date 10-5-70

My Name LINDA PAIGE WATSON CAIRNES  
My Address 924 50. 42 ST.  
B'HAM, AL 35222

Birth Date 7-16-39

Spouse's Name CARSON NEWMAN CAIRNES  
Father's Name ROBERT BERNARD WATSON  
Mother's Name BONNILYN JOHNSON WATSON  
Children's Names LINDA KIM CAIRNES  
KENNETH ALLAN CAIRNES  
MICHAEL KEITH CAIRNES

Birth Date 1-6-39  
Birth Date 12-10-10  
Birth Date 9-26-10  
Birth Date 11-27-60  
Birth Date 2-1-63  
Birth Date 11-19-64

My Name Ronald Upchurch  
My Address 3628 Kinward Drive  
Doraville, Ga. 30360

Birth Date 5-5-46

Spouse's Name Shaen D. Upchurch  
Father's Name Donald R. Upchurch  
Mother's Name Estelle Upchurch  
Children's Names Todd Upchurch  
Cameron Upchurch

Birth Date 2-25-52  
Birth Date 8-14-20  
Birth Date 10-11-21  
Birth Date 1-7-71  
Birth Date 4-27-80

My Name WAYNE GRADY Upchurch, Jr.  
My Address 3610 Kings Rd.  
CHATT., TN. 37416

Birth Date 8/5/43

Spouse's Name CARLA E. Upchurch  
Father's Name WAYNE UPchurch, Sr.  
Mother's Name EDNA H. Upchurch  
Children's Names WAYNE GRADY Upchurch III

Birth Date 7/25/49  
Birth Date 11/2/13  
Birth Date 4/7/74  
Birth Date 4/27/71  
Birth Date

(WATSON)

My Name KIRBY REID  
My Address 1429 WINOLA LANE  
BIHAM, ALA. 35255

Birth Date 10/17/45 (13)

*Robert Winton*

Spouse's Name BOBBY REID

Birth Date 9/23/46

Father's Name BOB WATSON

Birth Date 12/10/10

Mother's Name BONNILYN WATSON

Birth Date 9/26/10

Children's Names STEPHANIE NICOLE REID (nick)

Birth Date 12/10/72

NATHAN ROBERT REID

Birth Date 4/17/74

ASHLEY RENEE REID

Birth Date 2/20/79

Birth Date \_\_\_\_\_

Birth Date \_\_\_\_\_

My Name James Weaver Miller, Jr.

Birth Date 3-9-42

My Address 2404 BOWSTRING DRIVE  
B'ham, Al 35214

Spouse's Name Doris Jones Miller *son*

Birth Date 3-25-43

Father's Name James Weaver Miller, Sr.

Birth Date \_\_\_\_\_

Mother's Name Carrie Helen (Kay) Johnson

Birth Date \_\_\_\_\_

Children's Names Keith Brian Miller

Birth Date 5-8-66

My Name Karen Lynn Miller (Goin) Vernon

Birth Date 2-9-45

My Address RT 2 Box 98  
Jemison AL 35085

Spouse's Name Donzie Jerome Goin  
Edward L. Vernon

Birth Date 7-11-43  
11-14-43

Father's Name James W. Miller

Birth Date \_\_\_\_\_

Mother's Name Carrie Helen (Kay) Johnson Miller

Birth Date \_\_\_\_\_

Children's Names Alan Jr. Goin

Birth Date 10-25-63

Jamie Kay Goin

Birth Date 1-3-71

Jason E. Vernon

Birth Date 4-1-76

327 Pinehurst Drive  
Mauldin SC. 29662

My Name Kelly E. HARRIS Emond *Elizabeth*

Birth Date 02-13-57

My Address \_\_\_\_\_

Spouse's Name RONNIE Emond (Divorced)

Birth Date \* 11-49

Madaris

(14)

My Name Sue Johnson (Reynolds)  
My Address 3819 Mission View Avenue  
Chattanooga, Tennessee 37411

Birth Date ~~Oct~~ Feb. 15, 1948

Spouse's Name Robert Merle Reynolds  
Father's Name J. Paul Johnson  
Mother's Name Mary Johnson  
Children's Names Laurie Aleece Reynolds  
Bryan Paul Reynolds

Birth Date 10-6-38  
Birth Date 12-4-1913  
Birth Date 11-8-1916  
Birth Date 11-28-70  
Birth Date 4-1-74

112 Lynbrook Blvd  
Madison, Ala. 35758

My Name ROBERT S. JOHNSON ↑  
My Address 1609 Country Club Pkwy  
Lehigh, Fla. 33936

Birth Date 12-04-50

Spouse's Name BRENDA I. JOHNSON  
Father's Name J. PAUL JOHNSON  
Mother's Name MARY S. JOHNSON  
Children's Names JOEL SCOTT JOHNSON

Birth Date \_\_\_\_\_  
Birth Date 12-14-13  
Birth Date 11-08-16  
Birth Date 2-06-75

My Name Thomas Allen Johnson  
My Address \_\_\_\_\_

Birth Date 1-3-45

Spouse's Name Betty Mays Johnson  
Father's Name J Paul Johnson  
Mother's Name Mary Smith Johnson  
Children's Names Terris Lynn Mays  
John Paul Mays

Birth Date \_\_\_\_\_  
Birth Date \_\_\_\_\_  
Birth Date \_\_\_\_\_  
Birth Date 1-22-70  
Birth Date 3-16-71  
Birth Date \_\_\_\_\_

My Name MAY PAUL HARRIS ↑  
My Address APT 181 WILLOWICK  
45 BELHAM ROAD  
GREENVILLE, SC 29615

Birth Date 02-01-56  
327 Pinehurst Drive  
Mauldin, S.C. 29662

Spouse's Name DENISE MAYS HARRIS  
Father's Name MAY BRUCE HARRIS  
Mother's Name MARGARET JOHNSON HARRIS

Divorced  
Birth Date 01-?-59  
Birth Date 01-18-28  
Birth Date 11-20-23

Wallace  
 My Name Jay Dennis  
 My Address \_\_\_\_\_

Birth Date 5-2-52

Spouse's Name Janet Sue Dennis  
 Father's Name Red Dennis  
 Mother's Name Bobby Ruth Dennis  
 Children's Names Jay Ryan Dennis

Birth Date 1-29-50  
 Birth Date \_\_\_\_\_  
 Birth Date \_\_\_\_\_  
 Birth Date 10-4-78  
 Birth Date \_\_\_\_\_

My Name Carol Upchurch Windom  
 My Address Route 7, Box 276  
Carrollton, Ga. 30117

Birth Date 3-6-48

Spouse's Name Edwin Windom  
 Father's Name James Upchurch  
 Mother's Name Geraldine Upchurch  
 Children's Names Gina Windom  
Matt Windom

Birth Date 9/29/45  
 Birth Date 7/11/72  
 Birth Date 10/27/27  
 Birth Date 3/17/74  
 Birth Date 2/9/76  
 Birth Date \_\_\_\_\_

My Name Ray Upchurch  
 My Address Route 7  
Carrollton, Ga. 30117

Birth Date 9/11/52

Spouse's Name Denise Gibbs Upchurch  
 Father's Name James Upchurch  
 Mother's Name Geraldine Eason Upchurch  
 Children's Names Dana  
Valerie

Birth Date 7/11/12  
 Birth Date 7/11/12  
 Birth Date 10/27/27  
 Birth Date 12/74  
 Birth Date 8/78  
 Birth Date \_\_\_\_\_

My Name Nancy JACKSON Lewis  
 My Address 3205 Garden Lakes Blvd  
Rome, GA 30161

Birth Date 12-14-48

Spouse's Name Terry David Lewis  
 Father's Name Cohen C JACKSON  
 Mother's Name Mary Upchurch JACKSON  
 Children's Names Amy Meredith Lewis

Birth Date 4-15-46  
 Birth Date 3-16-25  
 Birth Date 11-1-26  
 Birth Date 4-2-71

My Name Charles "Bobby" Upchurch Birth Date 7-19-41 ✓  
 My Address 5133 Floyd Rd  
Mableton, Ga 30059

Spouse's Name Shirley Robinson Upchurch Birth Date 5-29-43  
 Father's Name Thomas Glenn Upchurch Birth Date 9-19-16  
 Mother's Name ~~Catherine White~~ Birth Date \_\_\_\_\_  
 Children's Names Catherine Moon Daniel Birth Date 8-22-20  
 stepmother Christine Hinesley Upchurch Birth Date 11-3-26

Children Catherine "Michelle" Upchurch Birth Date 12-14-66

My Name Nicki L. Fuller Birth Date 2-3-51  
 My Address 646 Woodmont Cir.  
Anderson, S.C. 29624

Spouse's Name Ray J. Fuller Birth Date 6-21-51  
 Father's Name Mike C. Upchurch Birth Date 10-8-23  
 Mother's Name Groves H. Upchurch Birth Date 7-25-25  
 Children's Names Picky L. Cleveland Birth Date 2-23-67  
Brian Cleveland Birth Date 7-20-71  
Ronald Cleveland Birth Date 12-5-72

My Name Sandra Jackson Chambers Birth Date 5-16-52  
 My Address 255 Richard way  
Athens, Ga 30605

Spouse's Name Joseph Robert Chambers Birth Date 7-6-51  
 Father's Name Cohen Charles Jackson Birth Date 3-16-25  
 Mother's Name Mary Upchurch Jackson Birth Date 11-1-26  
 Children's Names Jennifer Leigh Chambers Birth Date 4-2-77  
Laura Ann Chambers Birth Date 10-3-80

My Name Mary Lou Upchurch Goldstein Birth Date 2-23-52  
 My Address U.S. Army  
P.O. Box 162, Carrollton, Ga. 30117

Spouse's Name John Gary Goldstein Birth Date 5-2  
 Father's Name James Sibley Upchurch Birth Date \_\_\_\_\_  
 Mother's Name Wilma Hamrick Upchurch Birth Date \_\_\_\_\_

My Name Jackson Peggy McAteer  
 My Address 26 Leisure Dr  
Rome, Ga 30161  
 Spouse's Name Michael Raiden McAteer  
 Father's Name C C Jackson  
 Mother's Name Mary Upchurch Jackson  
 Children's Names Jamie Michael McAteer

Birth Date 5-11-57  
 Birth Date 6-25-56  
 Birth Date 3-16-25  
 Birth Date 11-1-26  
 Birth Date 5-31-80  
 Birth Date \_\_\_\_\_

My Name Marian Upchurch Powers  
 My Address 1001 Adair Ave NE  
Atlanta, Georgia 30306

Birth Date 11/18/47

Spouse's Name John Daniel Powers  
 Father's Name James Shields Upchurch, Sr.  
 Mother's Name Wilma Hamrick Upchurch  
 Children's Names Worth Heaton Powers

Birth Date 8/05/46  
 Birth Date 8/19/26  
 Birth Date 2/25/28  
 Birth Date 6/18/73

My Name Martha Upchurch Sosby  
 My Address 997 Vineyard Rd  
Griffin, Ga 30223

Birth Date 12-13-56

Spouse's Name David E. Sosby  
 Father's Name James S. Upchurch  
 Mother's Name Wilma H. Upchurch  
 Children's Names \_\_\_\_\_  
France Lanette Sosby  
Carolyn Michelle Sosby

Birth Date 3-9-79  
 Birth Date Aug. 19, 1926  
 Birth Date Feb 25, 1928  
 Birth Date \_\_\_\_\_  
 Birth Date 7-31-75  
 Birth Date 7-31-75  
 Birth Date \_\_\_\_\_  
 Birth Date \_\_\_\_\_

My Name James Shields Upchurch, Jr.  
 My Address 603 E. Washington St.  
Thomasville, Ga. 31792

Birth Date 3/17/54

Spouse's Name Pamela Head Upchurch  
 Father's Name James Shields Upchurch, Sr.  
 Mother's Name Wilma Hamrick Upchurch  
 Children's Names Jennifer Erin Upchurch

Birth Date 4/14/24  
 Birth Date 8/19/26  
 Birth Date 2/25/28  
 Birth Date 9/6/77

My Name Jill Upchurch Harris  
My Address 190 Powder Horn Ave  
B'ham, AL 35209

Birth Date 9/27/54

Spouse's Name Tony W. Harris  
Father's Name Hyatt Upchurch  
Mother's Name Tommye G. Upchurch  
Children's Names \_\_\_\_\_

Birth Date 6/22/49  
Birth Date 3/26/26  
Birth Date 8/10/29  
Birth Date \_\_\_\_\_

My Name Jo Rowland Stogner  
My Address Rt # 7 Box 262  
Carrollton, Mo. 30117

Birth Date April 2 1956

Spouse's Name Michael Stogner  
Father's Name Bobby A. Rowland  
Mother's Name Barbara Upchurch Rowland  
Children's Names \_\_\_\_\_

Birth Date \_\_\_\_\_  
Birth Date Sept 1, 1932  
Birth Date Sept 5, 1934  
Birth Date \_\_\_\_\_  
Birth Date \_\_\_\_\_  
Birth Date \_\_\_\_\_

My Name JAMES MARK MCGAHEE  
My Address Solon Ohio  
Kianned 6-15-73

Birth Date 1-20-51

Spouse's Name JILL BOMBE  
Father's Name W. CLIFFORD MCGAHEE  
Mother's Name BARBARA GUILLEBEAU MCGAHEE  
Children's Names WILLIAM CLIFFORD MCGAHEE  
\_\_\_\_\_  
\_\_\_\_\_  
\_\_\_\_\_  
\_\_\_\_\_  
\_\_\_\_\_

Birth Date \_\_\_\_\_  
Birth Date 9-22-26  
Birth Date 8-22-27  
Birth Date 6-30-78  
Birth Date \_\_\_\_\_  
Birth Date \_\_\_\_\_  
Birth Date \_\_\_\_\_  
Birth Date \_\_\_\_\_





is our finished lower level. This lower level includes our guest bedroom, a bathroom and a large open area with one end providing for my office & for Sallaine's office. The other end provides for a nice sitting area with fireplace & television. Behind me is a walled-off unfinished area in a huge space for my files, storage shelves, etc. I feel blessed to have such lovely and spacious quarters to accommodate family history interests.

We trust this finds you and Mary well and we wish for you All the best for a joyful Holiday and a blessed Christmas.

Sincerely yours

 Phil Upchurch

{ROBERT PHILLIP UPCHURCH}

JAMES PAUL JOHNSON, JR

XID 7763

REC'D  
21 NOV 2001

UPCHURCH FAMILY - PUBLICATIONS AVAILABLE  
ORDER FORM

The Upchurch family in America has been served by two publications. The UPCHURCH BULLETIN links 50,400 members of the extended Upchurch family. In 1996 a new publication ENGLANDIA - The Upchurch Family of Old England was started. It covers American Upchurch relatives who lived in England in the 1500-1800 era. It is no longer published but back issues are available..

I. UPCHURCH BULLETIN - I WISH TO ORDER AS FOLLOWS:



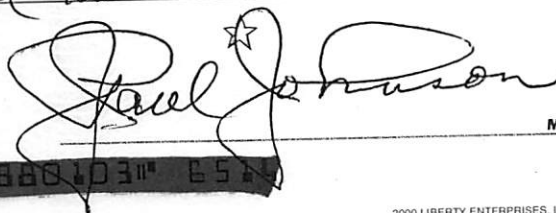
- A. Subscription\* for Vol. 23 (2 issues) @ \$10.00 for the volume.
- B. Unbound back volumes (4 issues) @ \$20.00/volume:

\$-----	\$-----	\$-----	\$-----	\$-----	\$-----	\$-----	\$-----	\$-----	\$-----	\$-----	\$-----
1980	1981	1982	1983	1984	1985	1986	1987	1988	1989	1990	1991
\$-----	\$-----	\$-----	\$-----	\$-----	\$-----	\$-----	\$-----				
1992	1993	1994	1995	1996	1997	1998	1999				

10.00  
u.B.P.G.02

J. PAUL JOHNSON  
MARY A. JOHNSON  
P. O. BOX 2125 PH. 423-821-3802  
CHATTANOOGA TN. 37409

6514  
DATE Nov 17, 2001  
67-7568/2613 (BRCH15)

PAY TO THE ORDER OF Robert P. Upchurch \$ 100.00  
One Hundred and no DOLLARS   
  
 MEMO \_\_\_\_\_  
  
 2000 LIBERTY ENTERPRISES, INC.

IV. Donations In Support Of Upchurch Research, the UPCHURCH BULLETIN:

- a. For general research \$-----
  - b. For support as a memorial gift \$-----
- For Memorial Gift: NAME-----  
 Relationship (Mother, Father, Brother, Sister, Etc.)-----

c. To Become An Underwriter of the UPCHURCH BULLETIN:

- Pathfinder - Up to \$24 \$-----
- Explorer - \$25-\$49 \$-----
- Archivist - \$50-\$99 \$-----
- Advocate - \$100-\$199 \$-----
- Historian - \$200-\$499 \$-----
- Lifetime - above \$500 \$-----

90.00 R.F.P.1-02

GIFT TO: (Name & Address)-----  
 Indicate issue(s) desired)-----

\*Those on restricted budgets write for details.

TOTAL 100.00

Make check payable to: ROBERT P. UPCHURCH

NAME-----  
 ADDRESS-----  
 CITY-----STATE-----ZIP-----

J PAUL JOHNSON  
PO BOX 2125  
CHATTANOOGA TN 37409-0125

Mail to: ROBERT P. UPCHURCH  
 351 Shetland Valley Court  
 Chesterfield, MO 63005-4840

(Effective 23 JUN 2000)  
 (Note our new address)

(over)



JAMES PAUL JOHNSON, JR

X7D-7763

UPCHURCH FAMILY - PUBLICATIONS AVAILABLE

ORDER FORM

The Upchurch family in America has been served by two publications. The UPCHURCH BULLETIN links 49,200 members of the extended Upchurch family. In 1996 a new publication ENGLANDIA - The Upchurch Family of Old England was started. It covers American Upchurch relatives who lived in England in the 1500-1800 era. It is no longer published but back issues are available..

I. UPCHURCH BULLETIN - I WISH TO ORDER AS FOLLOWS:

- A. Subscription\* for Vol. 22 (2 issues) @ \$10.00 for the volume.
- B. Inbound back volumes (1 issue) @ \$20.00/volume.

10.00

J. PAUL JOHNSON  
MARY A. JOHNSON  
P. O. BOX 2125 PH. 423-821-3802  
CHATTANOOGA TN. 37409

DATE Nov 18, 2000 5865  
67-7568/2613 (BRCH15)

PAY TO THE ORDER OF

Robert P. Upchurch \$ 100.00

One hundred and 00/100 DOLLARS



Paul Johnson

MEMO

13756841 000464880103 5865

- C. Unbound back Volume 3 (2 issues)(1998) @ \$10.00
- D. Unbound back Volume 4 (2 issues)(1999) @ \$10.00

III. Individual unbound back issues of UPCHURCH BULLETIN or ENGLANDIA are available at \$5.00/issue [state year(s) and issue(s)]

IV. Donations In Support Of Upchurch Research, the UPCHURCH BULLETIN:

- a. For general research \$-----b. For support as a memorial gift \$-----
- For Memorial Gift: NAME-----
- Relationship (Mother, Father, Brother, Sister, Etc.)-----

c. To Become An Underwriter of the UPCHURCH BULLETIN:

- Pathfinder - Up to \$24 \$----- Explorer - \$25-\$49 \$-----
- Archivist - \$50-\$99 \$----- Advocate - \$100-\$199 \$-----
- Historian - \$200-\$499 \$----- Lifetime - above \$500 \$-----

GIFT TO: (Name & Address)-----

Indicate issue(s) desired)-----

\*Those on restricted budgets write for details.

TOTAL 100.00

Make check payable to: ROBERT P. UPCHURCH

NAME-----  
ADDRESS-----  
CITY----- STATE----- ZIP-----

Mr. J. Paul Johnson  
P.O. Box 2125  
Chattanooga, TN 37409

Mail to: ROBERT P. UPCHURCH

351 Shetland Valley Court (Effective 23 JUN 2000)  
Chesterfield, MO 63005-4840 (Note our new address)

(over)

REC'D  
24 NOV  
2000

wbp7.01

90.00  
RF 0.10



will see how that works out.

Enclosed in a draft of a JAN 2000 status report I plan to send to any who express an interest in the months ahead. Also enclosed are a couple of extra order blanks in case you encounter anyone who is interested.

I trust this finds you and Mary well. We are doing fine but making a few adjustments as we "mature" (I refuse to get old). my latest ventures in learning to wear a cap and to look debonaire in the process. Gallaine thinks I can pull it off.

With All Best Wishes for a Merry Christmas.

Sincerely yours  
☺ Phil Upchurch

[ROBERT PHILIP UPCHURCH]

JAMES PAUL JOHNSON, JR

XID-7763

UPCHURCH FAMILY - PUBLICATIONS AVAILABLE

ORDER FORM

The Upchurch family in America has been served by two publications. The UPCHURCH BULLETIN links 48,000 members of the extended Upchurch family. In 1996 a new publication ENGLANDIA - The Upchurch Family of Old England was started. It covers American Upchurch relatives who lived in England in the 1500-1800 era.

I. UPCHURCH BULLETIN - I WISH TO ORDER AS FOLLOWS:

A. Subscription\* for Vol. 21 (2 issues) @ \$10.00

10.00

B. Unbound back volumes (4 issues) @ \$20.00/volume:

\$----- \$----- \$----- \$----- \$----- \$----- \$----- \$----- \$----- \$----- \$----- \$----- \$-----
1980 1981 1983 1984 1985 1986 1987 1988 1989 1990 1991 1992
\$----- \$----- \$----- \$----- \$----- \$----- \$-----
1993 1994 1995 1996 1997 1998 1999

C. Bound back volumes (4 issues) @ \$30.00/volume:

\$----- \$----- \$----- \$----- \$----- \$----- \$----- \$----- \$----- \$----- \$----- \$-----
1980 1981 1982 1983 1984 1985 1986 1987 1988 1989 1990 1991
\$----- \$----- \$----- \$----- \$----- \$----- \$----- \$-----

45 P. 6-2000

J. PAUL JOHNSON
MARY A. JOHNSON
P.O. BOX 2125 PH. 423-821-3802
CHATTANOOGA TN. 37409

DATE Dec 7, 1999

5248

67-7568/2613 (BRCH15)

PAY TO THE ORDER OF

Michael Enterprises \$ 100.00
One Hundred and no 100 DOLLARS



Handwritten signature of Paul Johnson

MEMO
1:26 1375584: 00064880103 5248

TO BECOME AN ORDER WRITER OF THE UPCHURCH BULLETIN:

- Pathfinder - Up to \$24 \$----- Explorer - \$25-\$49 \$-----
Archivist - \$50-\$99 \$----- Advocate - \$100-\$199 \$-----
Historian - \$200-\$499 \$----- Lifetime - above \$500 \$-----

90.00
RF Archivist #90.00
P. 1-2000

GIFT TO: (Name & Address)-----
Indicate issue(s) desired)-----

\*Those on restricted budgets write for details.

TOTAL 100.00

Make check payable to: MICHAEL ENTERPRISES.

NAME-----
ADDRESS-----
CITY----- STATE----- ZIP-----



J PAUL JOHNSON
PO BOX 2125
CHATTANOOGA TN 37409-0125

Mail to: ROBERT P. UPCHURCH
6 Eagles Way Lane
Lake St. Louis, MO 63367-2240

(over)



JAMES PAUL JOHNSON, JR

XED-7763

Robert P. Upchurch  
MICHAEL ENTERPRISES  
6 Eagles Way Lane  
Lake St. Louis, MO 63367-2240



J. PAUL JOHNSON  
PO BOX 2125  
CHATTANOOGA, TN 37409-0125

14 DEC 1998

Dear Cousin Jay

Thank you for your renewal on the US  
and Englandia for 1999, for your generous  
contributions to the Upchurch Research Fund and  
for enrolling as an ADVOCATE Underwriter of  
Englandia. You are among the strongest of  
the supporters of our efforts to document our  
Upchurch heritage. It is great to have supporters  
and collaborators such as yourself - it  
makes my efforts seem more justified.  
I do feel we are making great progress.

With All Best Wishes to you & Mary  
for a great holiday. Merry Christmas!

Sincerely yours  
☺ Phil Upchurch

[ROBERT WILLIAM UPCHURCH]

JAMES PAUL JOHNSON, JR

XFD-7763

UPCHURCH FAMILY PUBLICATIONS AVAILABLE

REC'D  
1 DEC 1998

The Upchurch family in America is now served by two publications. The UPCHURCH BULLETIN links 45,600 members of the extended Upchurch family. In 1996 a new publication ENGLANDIA - The Upchurch Family of Old England was started. It covers American Upchurch relatives who lived in England in the 1500-1800 era. Subscribe or give

J. PAUL JOHNSON  
MARY A. JOHNSON  
P.O. BOX 2125 PH. 423-821-3802  
CHATTANOOGA, TN 37409

87-7568-15  
2613  
000464880103

4513

Nov 28 19 98

20.00 US 199

PAY TO THE ORDER OF

Michael Enterprises

\$ 200.00

\$ 1990

Two Hundred and no/100

DOLLARS



Paul Johnson

\$ 1990

MEMO

261375684; 000464880103 4513

- A. Subscription\* for Volume 4 (2 issues)(1999)@ \$10.00.
- B. Unbound back Volume 1 (2 issues)(1996)@\$10.00.
- C. Unbound back Volume 2 (2 issues)(1997)@\$10.00.
- D. Unbound back Volume 3 (2 issues)(1998)@\$10.00.

10.00 E.P. 199

III. Individual unbound back issues of UPCHURCH BULLETIN or ENGLANDIA are available at \$5.00/issue {state year(s) and issue(s)}

IV. Donations In Support Of Upchurch Research, the UPCHURCH BULLETIN or ENGLANDIA:

- a. For general research \$10.00, b. For support as a memorial gift \$\_\_\_\_\_.
- For Memorial Gift: NAME: \_\_\_\_\_
- Relationship (Mother, Father, Brother, Sister, etc.) \_\_\_\_\_.

70.00 R.F. 199  
100.00 Underwriter P. 199

c. To Become An Underwriter of ENGLANDIA:

- Pathfinder - Up to \$24 - \$\_\_\_\_\_ Explorer - \$25 - \$49 - \$\_\_\_\_\_
- Archivist - \$50 - \$99 - \$\_\_\_\_\_ Advocate - \$100 - \$199 - \$\_\_\_\_\_
- Historian - \$200 - \$499 - \$\_\_\_\_\_ Lifetime - above \$500 - \$\_\_\_\_\_

GIFT TO: (Name & Address) \_\_\_\_\_  
Indicate issue(s) desired \_\_\_\_\_  
(same cost as above)

\*Those on restricted budgets write for details.

MAKE CHECK PAYABLE TO: MICHAEL ENTERPRISES.

TOTAL \$200.00

NAME J. PAUL JOHNSON  
ADDRESS P.O. Box 2125  
CITY CHATTANOOGA STATE TN ZIP 37409  
MAIL TO: ROBERT P. UPCHURCH  
6 EAGLES WAY LANE  
LAKE ST. LOUIS, MO 63367-2240

J. Paul Johnson  
PO Box 2125  
Chattanooga TN 37409-0125

(over)

JAMES PAUL JOHNSON, JR

XFD-7763

UPCHURCH FAMILY - PUBLICATIONS AVAILABLE

REC'D  
2 JAN 98

The Upchurch family in America is now served by two publications. The UPCHURCH BULLETIN links 43,200 members of the extended Upchurch family. In 1996 a new publication ENGLANDIA - The Upchurch Family of Old England was started. It covers American Upchurch relatives who lived in England in the 1500-1800 era. Subscribe or give a gift to a relative. Help preserve our unique Upchurch heritage.

I. UPCHURCH BULLETIN - I WISH TO ORDER AS FOLLOWS:

A. Subscription\* for Vol. 19 (1998) @ \$20.00

B. Unbound back volumes (4 issues) @ \$20.00/volume:

\$----- \$----- \$----- \$----- \$----- \$----- \$----- \$----- \$----- \$----- \$----- \$-----

1980 1981 1983 1984 1985 1986 1987 1988 1989 1990 1991 1992

\$----- \$----- \$----- \$----- \$-----

1993 1994 1995 1996 1997

C. Bound back volumes (4 issues) @ \$30.00/volume:

\$----- \$----- \$----- \$----- \$----- \$----- \$----- \$----- \$----- \$----- \$----- \$-----

1980 1981 1982 1983 1984 1985 1986 1987 1988 1989 1990 1991

\$----- \$----- \$----- \$----- \$----- \$-----

1992 1993 1994 1995 1996 1997

II. ENGLANDIA. I wish to order as follows:

A. Subscription\* for Volume 3 (2 issues)(1998)@ \$10.00

B. Unbound back Volume 1 (2 issues)(1996) @ \$10.00

C. Unbound back Volume 2 (2 issues)(1997) @ \$10.00

III. Individual unbound back issues of UPCHURCH BULLETIN or

ENGLANDIA are available at \$5.00/issue [state year(s) and issue(s)]

IV. Donations In Support Of Upchurch Research, the UPCHURCH BULLETIN or ENGLANDIA:

a. For general research \$----- b. For support as a memorial gift \$-----

For Memorial Gift: NAME-----

Relationship (Mother, Father, Brother, Sister, Etc.)-----

c. To Become An Underwriter of ENGLANDIA:

Pathfinder - Up to \$24 \$----- Explorer - \$25-\$49 \$-----

Archivist - \$50-\$99 \$----- Advocate - \$100-\$199 \$-----

Historian - \$200-\$499 \$----- Lifetime - above \$500 \$-----

GIFT TO: (Name & Address)-----

Indicate issue(s) desired)-----

\*Those on restricted budgets write for details.

Make check payable to: MICHAEL ENTERPRISES.

NAME J. PAUL JOHNSON

ADDRESS P.O. Box 2125

CITY CHATTANOOGA STATE TN ZIP 37409-2125

Mail to: ROBERT P UPCHURCH

J. PAUL JOHNSON  
MARY A. JOHNSON  
P.O. BOX 2125 PH. 423-821-3802  
CHATTANOOGA, TN 37409

87-756815  
2613  
000464380103

3828

Dec 22 97

20.00  
6-9-98

10.00  
2-4-98

50.00  
WARR 11, 98

50.00  
ERFD 1, 98

TOTAL 130.00

Michael Enterprises = 130.00  
One hundred thirty and no/100

(over)



Paul Johnson



we will be talking to our three operators to see if they go along with my ideas. The problem is that we have so much we want to do in so many areas that we have to revisit our game plan from time-to-time to make sure we are giving priority to what we jointly consider as most important.

I trust this finds you and Mary well and that you will have a healthful and enjoyable 1998.

With All Best Regards,

Sincerely yours

☺ Phil Yehumely

{ROBERT PHILIP URENURUN}





JAMES PAUL JOHNSON, JR

XFN-7763  
①

**MICHAEL ENTERPRISES**  
P. O. BOX 387  
Wentzville, MO 63385



J. PAUL JOHNSON  
PO BOX 2125  
CHATTANOOGA, TN 37409

12 FEB 1996

Dear Cousin Jay,

Thank you for your letter of 6 FEB 1996 and for your nice contribution of \$100 towards Professor Ransom's bill. I would do 23 "special" cousins and the result has already been encouraging - we will be able to pay the bill without putting great pressure on anyone person. It is great that we can work together this way.

Professor Ransom's report is a solid contribution to the history of our Upshur family. I don't know if we will have him do more but when I next write I will ask him what he might propose. He does seem to have all the skills for this sort of thing - including translating letters and interpreting old English and faded documents.



I have just returned from a 5 day business trip to Arizona which included some time for family history - was able to see 5 cousins - all from different parts of our extended Upchurch Family. We now have to finalize our Family History trip to TX which will be 4-17 APRIL.

Right now Sallaine is trying to Master Windows 95 on our new computer and it is tough. She is a tiger on such things and wants to work it all out herself. We hope to use the new computer to put out the next U<sup>B</sup> and then to go on to use it for more family history projects.

with appreciation

My regards to Mary



Sincerely Your  
Phil Upchurch

[ROBERT PHILIP UPCHURCH]

Feb 6, 1996 ①

Dear Phil,

J. Paul Johnson  
P.O. Box 2125  
Chattanooga, TN 37409REC'D  
9 FEB 1996

I thank you for the copy of Professor Ransome's report of the W-Church family in England. It is very interesting, but I agree with you that it doesn't tie Michael W. I to any of the families he researched. I believe had he continued for one more generation he might have found a connection. However, he did give us some information as far back as the sixteenth century. I am sending \$100 to help defray the expense of this venture. I hope you will get enough from others to cover all the costs.

yours truly  
Paul Johnson

2

J. PAUL JOHNSON  
MARY A. JOHNSON  
P.O. BOX 2125 PH. 423-821-3802  
CHATTANOOGA, TN 37409

2409

Feb 6 1996

87-756815  
2613  
000464880103

PAY TO THE  
ORDER OF

Michael Enterprises

\$ 100.00

One Hundred and  $\frac{00}{100}$

DOLLARS

Tennessee Valley  
FEDERAL CREDIT UNION

Power Pak

Paul Johnson

MEMO

⑆36375684⑆ 000464880⑆03⑆ 2409



JAMES PAUL JOHNSON, JR

XID-7763

REC'D  
29 NOV 1995

MICHAEL ENTERPRISES  
P. O. BOX 387  
Wentzville, MO 63385

November 1995

INVOICE

As we begin our 17th year (1996) in publishing the UPCHURCH BULLETIN, we are pleased to have identified so many individuals linked back to Michael U. I, first immigrant to the USA from England. Cost of production and postage has increased but we will continue to offer the 1996 subscription rate of \$15.00 for the 4 issues. We encourage you to contribute to the UPCHURCH RESEARCH FUND for research or as a Memorial to a loved-one. Bound and unbound issues are available as back copies. Give a gift to a relative or friend. Help preserve our unique Upchurch heritage.

1. Subscription\* for VOL. 17 (1996) @ \$15.00

15.00

2. Unbound back volumes(4 issues) @ \$12.00/volume:

\$ \_\_\_\_\_ \$ \_\_\_\_\_ \$ \_\_\_\_\_ \$ \_\_\_\_\_ \$ \_\_\_\_\_ \$ \_\_\_\_\_ \$ \_\_\_\_\_ \$ \_\_\_\_\_  
1-1980 2-1981 3-1982 4-1983 5-1984 6-1985 7-1986 8-1987  
\$ \_\_\_\_\_ \$ \_\_\_\_\_ \$ \_\_\_\_\_ \$ \_\_\_\_\_ \$ \_\_\_\_\_ \$ \_\_\_\_\_ \$ \_\_\_\_\_  
9-1988 10-1989 11-1990 12-1991 13-1992 14-1993 15-1994  
\$-----  
16-1995

B-5-96

3. Bound back volumes @ \$25.00/volume:

\$ \_\_\_\_\_ \$ \_\_\_\_\_ \$ \_\_\_\_\_ \$ \_\_\_\_\_ \$ \_\_\_\_\_ \$ \_\_\_\_\_ \$ \_\_\_\_\_ \$ \_\_\_\_\_  
1-1980 2-1981 3-1982 4-1983 5-1984 6-1985 7-1986 8-1987  
\$ \_\_\_\_\_ \$ \_\_\_\_\_ \$ \_\_\_\_\_ \$ \_\_\_\_\_ \$ \_\_\_\_\_ \$ \_\_\_\_\_ \$ \_\_\_\_\_  
9-1988 10-1989 11-1990 12-1991 13-1992 14-1993 15-1994  
\$-----  
16-1995

60.00

4. UPCHURCH RESEARCH FUND:

Research \$ 60.00

MEMORIAL GIFT: \_\_\_\_\_

(For Memorial Gift, please indicate name of Person(s) being honored: (Mother, Father, Brother, Sister, Aunt, Uncle, Child, Grandparents, etc.)

NAME: \_\_\_\_\_ Relationship \_\_\_\_\_

RPM  
Jnt  
RF. P. 2. 1996

J. PAUL JOHNSON  
MARY A. JOHNSON  
P.O. BOX 2125 PH. 423-821-3802  
CHATTANOOGA, TN 37409

2271

97-7568 15  
2613  
000464880103

PAY TO THE ORDER OF Michael Enterprises \$ 75.00

Seventy-five and no/100 DOLLARS

Tennessee Valley  
FEDERAL CREDIT UNION

MEMO

261375684; 000464880103; 2271

Nov 26 1995

\$75.00

E, MO 63385

ctions  
for  
budget.  
details.

JAMES PAUL JOHNSON, JR. XID-7763

MICHAEL ENTERPRISES  
P. O. BOX 387  
Wentzville, MO 63385



6 DEC 1995

J. PAUL JOHNSON  
PO BOX 2125  
CHATTANOOGA, TN 37409

Dear Cousin Jay,

Thank you for your renewal on the  
U<sup>13</sup> for 1996 and for your generous contribution  
to the Upchurch Research Fund. It allows us  
to buy reference materials. Also we have  
obligated to pay Professor Ransome \$1000 for  
the work he is doing on the family  
of Michael U, I in England this fall. His report  
is due in the first quarter of 1996.

We are still doing follow-up work  
on our TN/NC trip. It was a great experience  
and we especially enjoyed meeting with you  
and Mary. Your lovely basket is being put  
to good use as a magazine holder and often  
reminds us of our visit in your lovely home.

Best wishes you & Mary a Merry Christmas.



Sincerely yours  
Phil Upchurch

[ROBERT PHILIP UPCHURCH]

JAMES PAUL JOHNSON, JR  
MICHAEL ENTERPRISES  
P. O. BOX 387  
Wentzville, MO 63385

XJD-7763

①

15 JUL 1995

J. PAUL JOHNSON  
PO BOX 2125  
CHATTANOOGA, TN 37409

Dear Cousin Jay,  
Thanks for your nice letter of 12 JUL 1992 which arrived yesterday. All has now been extracted and properly recorded. I am trying to stay current with incoming correspondence and to gradually eliminate my backlog. I see a little light at the end of the tunnel.


As promised in my last letter a copy of the master outline for the Thomas Homer W Family in the William Garner W line in the Charles W / Thomas Guy W, Sr Subplan is enclosed. This now extends to 19 pages including the seven continuation sections. You and your Uncle Ralph have been the main motivating force for advancing us so far on the Family. If you spot any errors or learn of any "developments" in the family or come across any of the missing pieces, please let me know. This is a never ending job but I am sure you take a lot of satisfaction in getting the overall outline in such good shape.

I have not started to work seriously on following up on contacts made on the NC/ITN trip. When I do I am sure there will be puzzles about the Chattanooga segment. Thank Mary for trying to get in contact with K. U for me. Perhaps it will work out in due course.

Due to a number of factors we were late in preparing UB 16 #2 (which should be to you by now). Just at the end our copies broke down and added 3-4 more days of delay.

We have a new granddaughter, Natalia Elizabeth Upchurch b 3 JUL 1995 in St Louis, MO to our son Barry & his wife Diane. All are doing well. We have been able to help some.

On 25 JUL 95 we will undertake a 9 day driving trip to AZ and NV. - to AZ for work on the Desert Legume Program and to Ely, NV to see our daughter Nelda & her family and their new home. Between now and the 25th I hope to "catch up". Real Estate sales is proving to be a challenge. Farming is always a challenge - The corn is quite late - we hope for AVG rains and a late frost. The wheat was so-so, we have hope for the soybeans.

All the best to you & Mary -  Sincerely yours  
 Phil Upchurch  
 ROBERT PHILIP UPCHURCH



July 12, 1995

REC'D  
14 JUL 1995

R. Phil Upchurch

J. Paul Johnson  
P.O. Box 2125  
Chattanooga, TN 37409

Dear Phil,

It was good to hear from you and to learn you had an enjoyable and successful trip. We were pleased to meet you and Sallaine and enjoyed talking with you.

We have not been able to contact K. Upchurch. Mary called and left a message on the answering machine but we have not heard anything. We will keep trying.

I have the following answers to your specific questions:

- △ 1) The correct spelling is 'GUILLEBEAU'.
- 2) The name of the 2<sup>nd</sup> wife of Warren Leslie Carter is LEE ANN MAYO WHALEY. I don't know if she was previously married. I got her name from Leslie's mother.
- △ 3) The first child of Bonnie Lee (U) Kilgore is Kellie Leigh Kilgore.
- △ 4) Jamie Kay Goen's first marriage was very brief and I have no information about him, not even his name.
- △ 5) J. Paul Johnson was born 16 FEB 1985.
- + △ 6) Max Paul Harris' wife's maiden name is MAYS.
- + □ 7) Michael Raymond Haynes and Kelly Elizabeth Harris were divorced. I have not heard of his death.



JAMES PAUL JOHNSON, JR

XID-7763

①

MICHAEL ENTERPRISES  
P. O. BOX 387  
Wentzville, MO 63385



15 JUN 1995

J. PAUL JOHNSON  
PO BOX 2125  
CHATTANOOGA, TN 37409-0125

Dear Cousin Jay,

Sallaine and I are most appreciative to you and Mary for your assistance and hospitality during our recent trip to Chattanooga. It was most pleasant to visit in your lovely historic home. We drove by again to get another look. We enjoyed the dinner at Mt Vernon. Your efforts at contacting people paid off as I was glad to meet Stan and Ann. We are impressed with your expertise in crafts and Sallaine has placed your basket in our family room where it will be a regular reminder of our enjoyable visit with you.

I was able to get some sort of understanding of how all the Uplander in the phone book in Chattanooga fit into the family except for the one listed K. Uplander. Perhaps Mary would be willing to call her again and try to learn more about her.

I had delayed writing until I could complete the processing of the Thomas Homer U Document you gave me. I finished it last night after about 10 hours of cross checking. Everything is now checked, cross checked and all new info transferred to my Master outline and to the name biopiles. This is a very comprehensive document and I thank you for all the work you put into updating it. The questions that came up are shown on the enclosed sheets. I will appreciate any comments you have on these questions.

Our 15 day trip through TN and NC was most enjoyable and I learned a lot about the Upchurch Family. This has put me behind in preparing UB Vol 16 No 2 but I'll get it out soon.

Thanks again for being lovely hosts.



Sincerely yours  
Phil Upchurch

P.S. In my next letter I'll include a copy of the Master outline of the Thomas Homer U Family as I have it. It is very impressive.

[ROBERT PHILIP UPCHURCH]

Phil U

QUESTIONS ON THE THOMAS HOMER  
UPCHURCH DOCUMENT PROVIDED  
TO PHIL UPCHURCH BY JAY JOHNSON  
ON 2 JUN 1995.

15 JUN 1995 <sup>③</sup>

- 1) The document uses the spelling GILLEBEAU or GUILLEBEAU and previously, which is correct?
- 2) The 2nd wife of Warren Leslie Carter is shown as Leigh Ann Mayo Whaley. I assume she was nee Leigh Ann Mayo and that she married a Mr Whaley before she married Warren. Correct?
- 3) The first child of Bonnie Lee (U) Kilgore is shown as Kellie Leigh Kilgore nee Kellie Leigh Upchurch in previous documents. Was she born Upchurch and name changed to Kilgore?
- 4) The document shows Jamie Kay Goin and Timothy Page but has a daughter Ashley Jamie Goin. Is this correct?
- 5) Was Paul Johnson b. 16 FEB 1985 or 14 FEB 1985.
- 6) Is the maiden name of the wife of Max Paul Harris spelled MAYES or MAYS?
- 7) I show that Michael Raymond Haynes died in an accident and that he and Kelly Elizabeth Harris divorced. Are both true?
- 8) Was Thomas Glenn U. b. 16 SEP 1916 or 19 SEP 1916?
- 9) Does the "C" in name of LAKE C. U stand for CLANTON or for CLINTON?
- 10) Who are the parents of Brian Chase Cleveland and Kylan Ray Cleveland? (see document for name of question)

- 11) The 2nd wife of John Shields II has been shown as nee Jewel BASKINS and Jewel HASKINS, which is correct.
- 12) For Heather L. Harris - does the "L" stand for LEE or LEIGH?
- 13) For Kimberly R. Jolley - does the "R" stand for REE or RAE?
- 14) For D. Jill Estock - does the "D" stand for DEANE or DEANN?

JAMES PAUL JOHNSON, JR

XID-7763

①

REC'D 2JUN 1995

by RPU from  
James Paul Johnson, Jr  
in Chattanooga, TN

THE

FAMILY

OF

□ THOMAS HOMER UPCHURCH

RPU COMPLETED EXTRACTION 14 JUN 1995

✓  
(2)

FANNIE AILENE UPCHURCH  
 (b. 8-22-1883)  
 (d. 8-04-1910)  
 M. WILLIAM THOMAS CARPENTER  
 (b. 1-13-1877)  
 (d. -1930)

MARY CARPENTER  
 ROBERT MERRILL CARPENTER

HOMER E. UPCHURCH  
 (b. 11-09-1885)  
 (d. 11-08-1957)  
 M. UNA CLAYTON DIGBY  
 (b. 6-14-1891)  
 (d. 3-20-1986)

HAROLD EDWARD UPCHURCH  
 WAYNE UPCHURCH  
 CHRISTINE UPCHURCH  
 DONALD REX UPCHURCH  
 HIRAM STANFORD UPCHURCH

ROSA MAY UPCHURCH  
 (b. 7-08-1891)  
 (d. 6-28-1978)  
 m. JAMES PAUL JOHNSON  
 (b. 11-14-1889)  
 (d. 10-05-1950)

BONNILYN PAUL JOHNSON  
 CARRIE HELEN JOHNSON  
 JAMES PAUL JOHNSON  
 BOBBY RUTH JOHNSON  
 MARGARET ANNE JOHNSON

THOMAS HOMER UPCHURCH  
 (b. 10-08-1859)  
 (d. 8-29-1947)  
 m. CARRIE ELIZABETH THURMAN  
 (b. 3-18-1865)  
 (d. 4-01-1908)

CHARLES LLOYD UPCHURCH  
 (b. 2-25-1894)  
 (d. 4-08-1962)  
 m. MAE BELLE ASHMORE  
 (b. 9-03-1894)  
 (d. 4-27-1995)

WILLIAM JAMES UPCHURCH  
 THOMAS GLENN UPCHURCH  
 CHARLES RAY UPCHURCH  
 LAKE CLINTON UPCHURCH  
 MARY ELSIE UPCHURCH

JOHN SHIELDS UPCHURCH  
 (b. 7-26-1896)  
 (d. 10-14-1980)  
 m. EVIE JOHNSON  
 (b. 7-28-1896)  
 (d. 6-23-1953)  
 m. JEWEL HASKINS  
 (b. )  
 (d. 4-28-1978)

JAMES SHIELDS UPCHURCH

m. NANCY HEARN  
 (b. 4-16-1873)  
 (d. 5-16-1910)

WILLIAM JAMES UPCHURCH  
 (b. 2-04-1899)  
 (d. 5-02-1908)

THOMAS RALPH UPCHURCH  
 (b. 5-01-1902)  
 (d. 1-28-1995)  
 m. MYRTLE FLETCHER  
 (b. 5-13-1904)  
 (d. )

REYNOLDS HYATT UPCHURCH  
 BUNNY CLOIS UPCHURCH  
 TOMMIE CAROLYN UPCHURCH  
 DORIS LYNETTE UPCHURCH

m. BEULAH JETER  
 (b. 5-04-1878)  
 (d. 12-25-1962)

JOSEPH ABNER UPCHURCH  
 (b. 3-09-1910)  
 (d. 3-11-1995)  
 m. WILLA MARLOW  
 (b. 11-15-1914)  
 (d. )

BARBARA ANN UPCHURCH  
 THOMAS S. UPCHURCH

MAYNARD PARKS UPCHURCH  
 (b. 1-29-1914)  
 (d. )

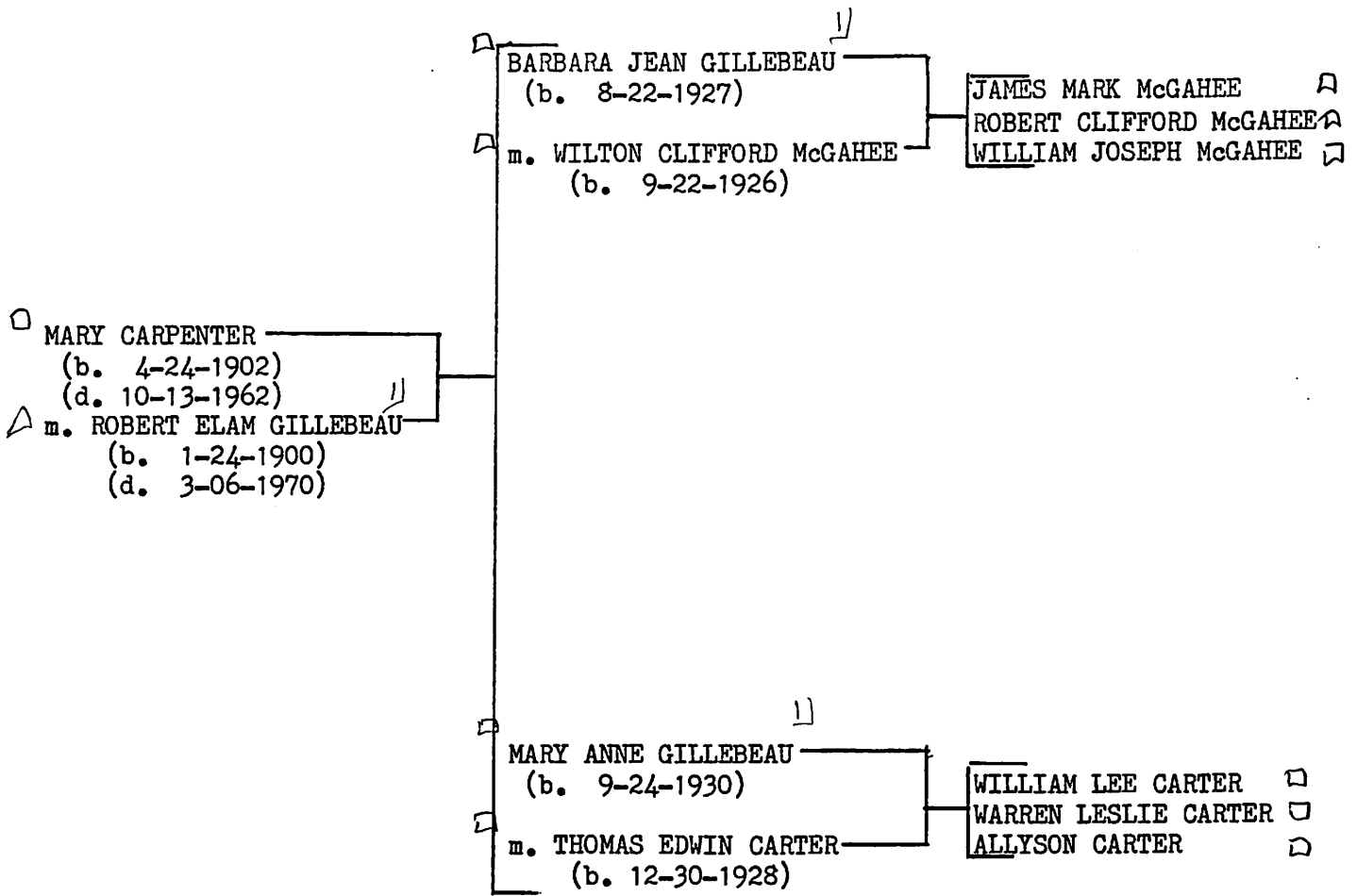
DAN STANLEY UPCHURCH  
 (b. 8-27-1915)  
 (d. 9-09-1937)



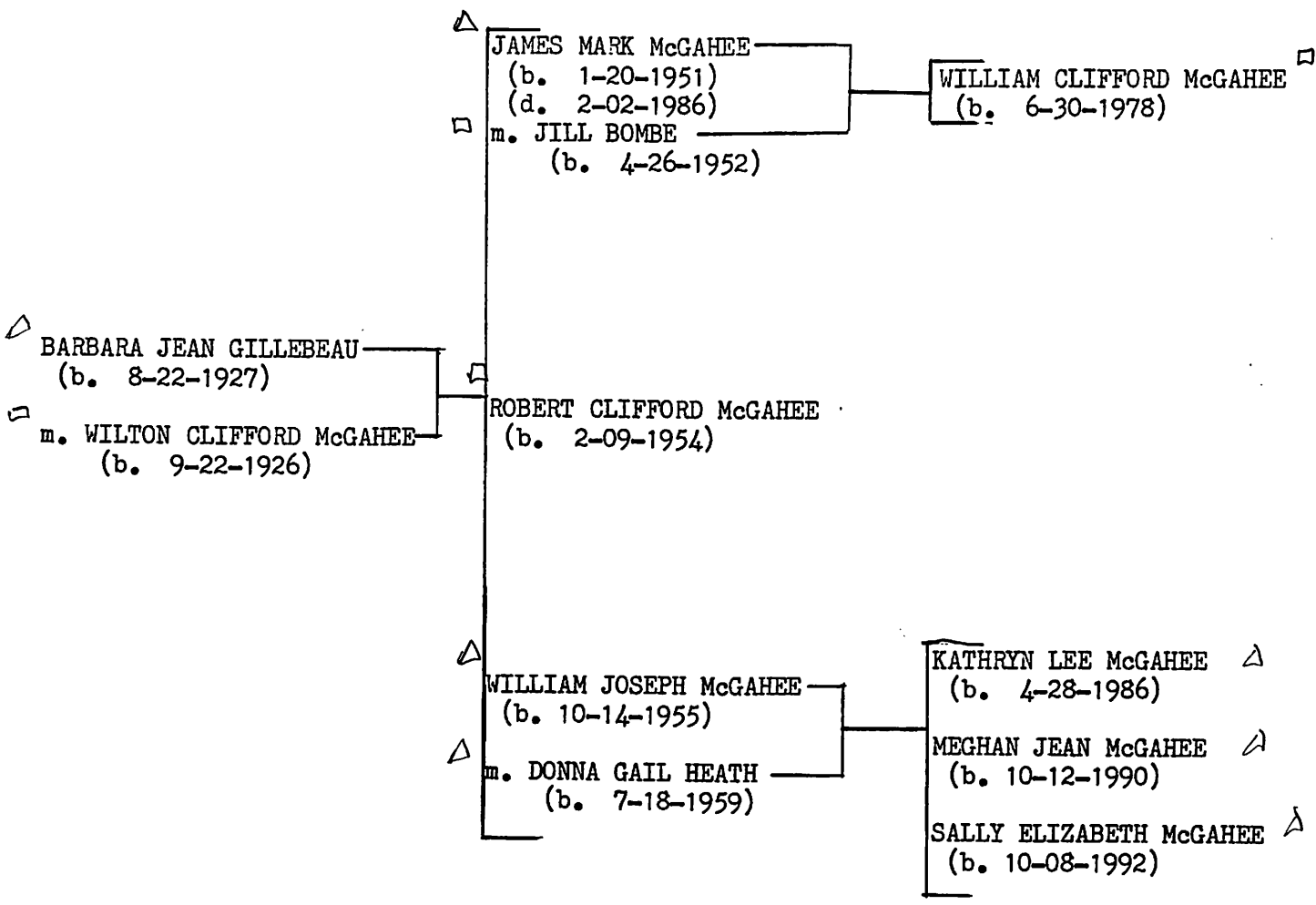
□  
MARY CARPENTER  
(b. 4-24-1902)  
(d. 10-13-1962)  
□ m. ROBERT ELAM GUILLEBEAU  
(b. 1-24-1900)  
(d. 3-06-1970)  
BARBARA JEAN GILLEBEAU □  
MARY ANNE GILLEBEAU □

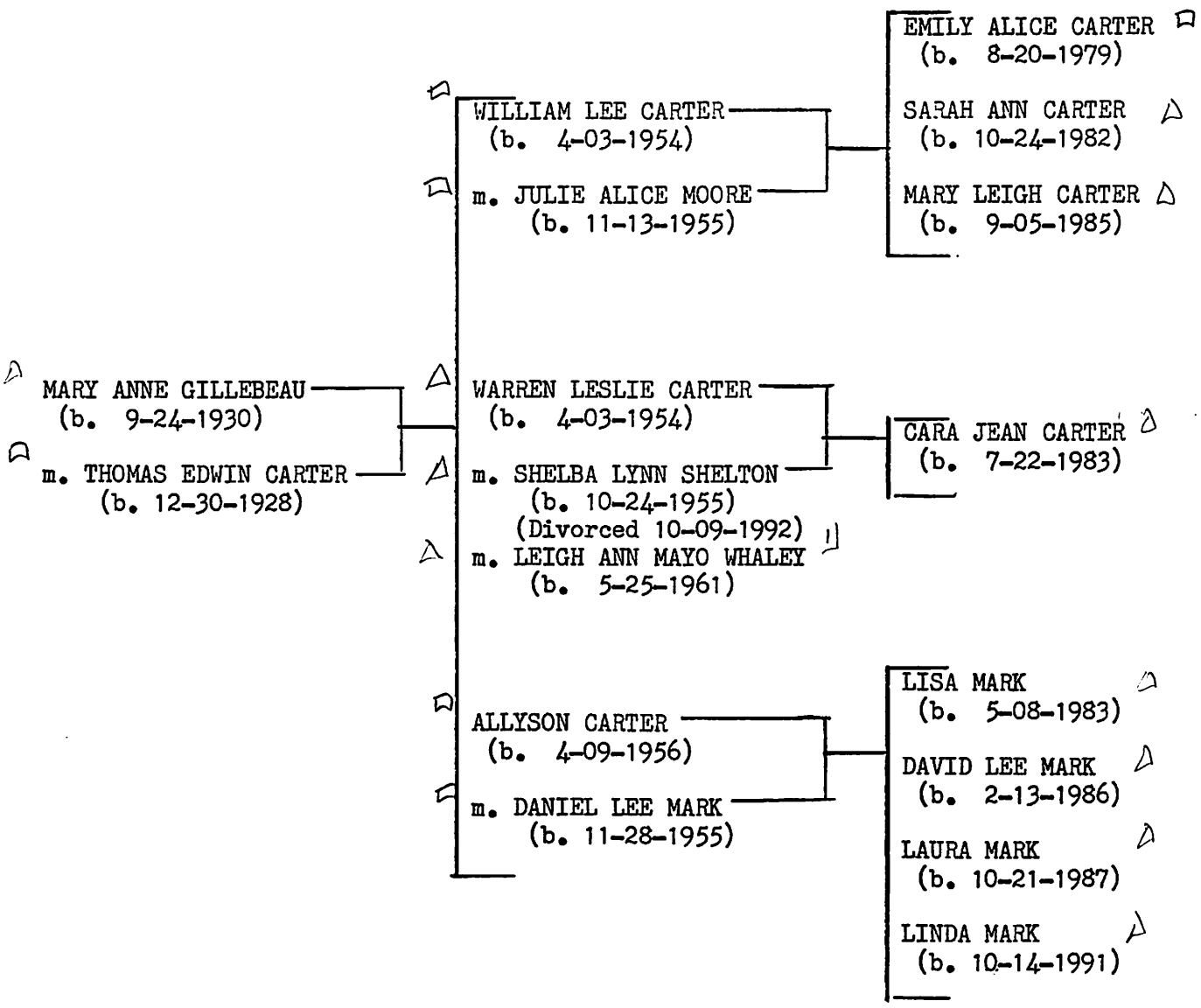
□ FANNIE AILENE UPCHURCH  
(b. 8-22-1883)  
(d. 8-04-1910)  
□ m. WILLIAM THOMAS CARPENTER  
(b. 1-13-1877)  
(d. -1930)

△ ROBERT MERRILL CARPENTER  
(b. 2-18-1907)  
(d. 5-18-1994)  
□ m. ETHEL RICE  
(b. 12-1908)  
(d. 9-03-1981)

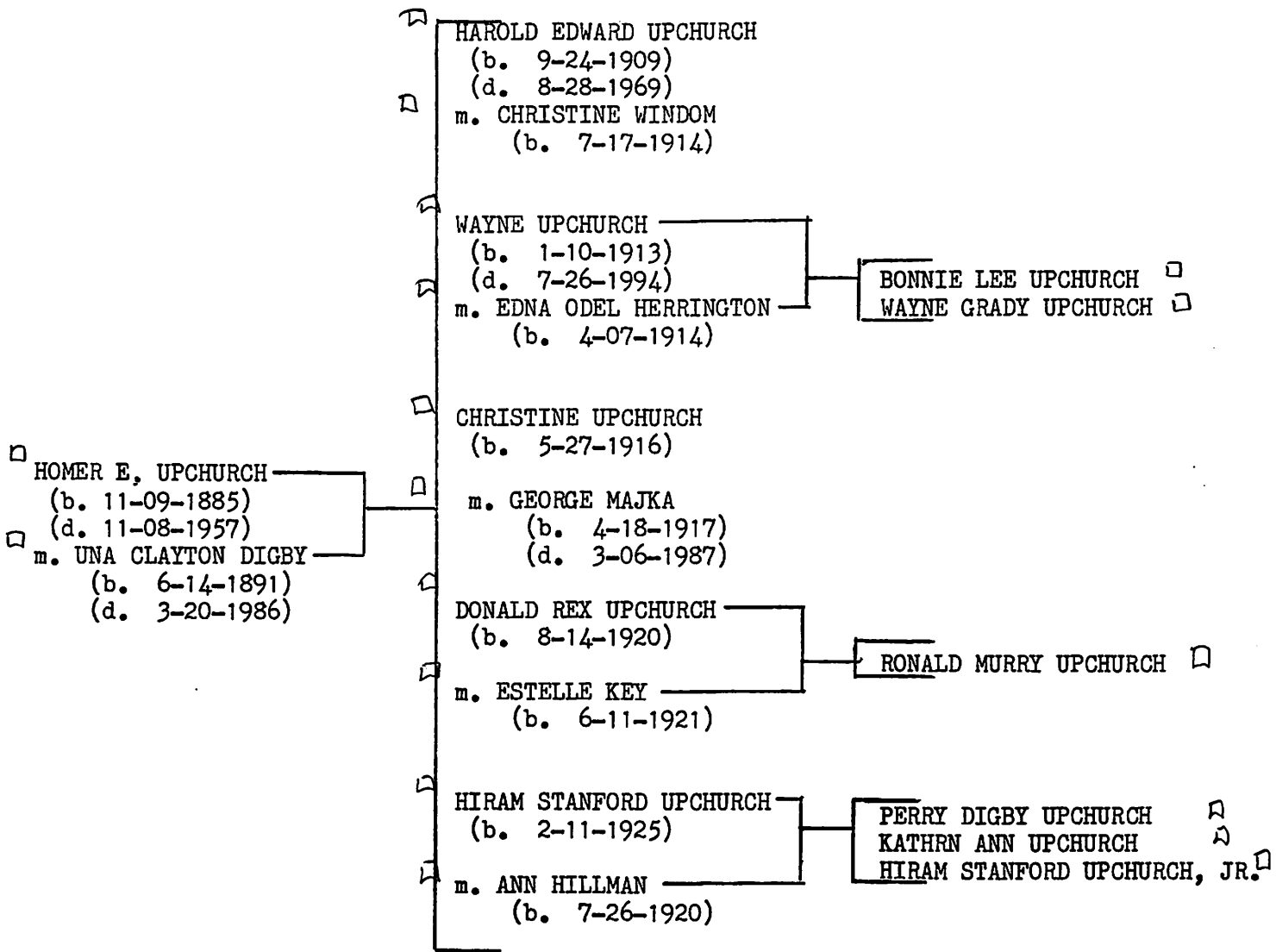


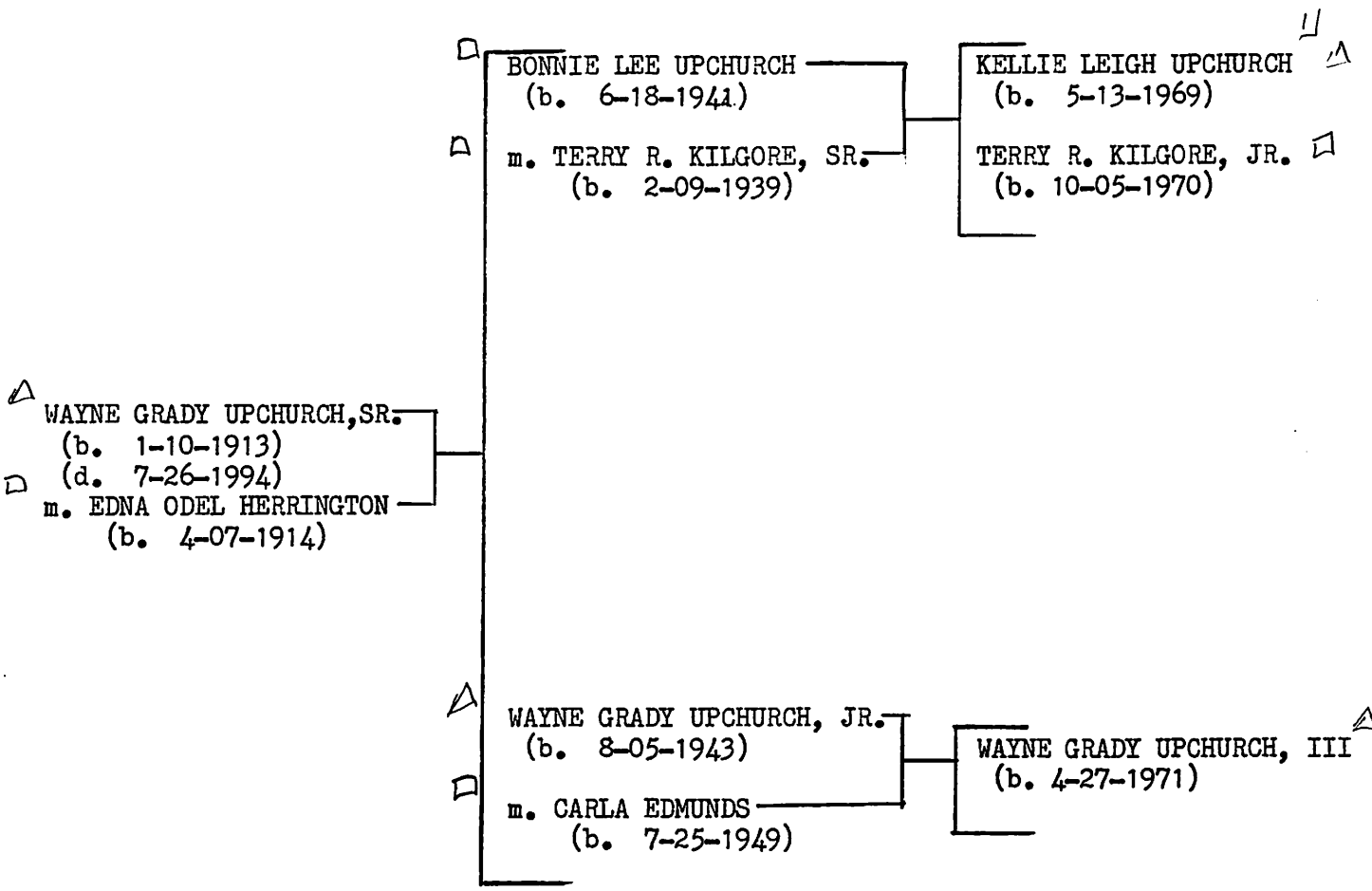
1) Note spelled GUILLEBEAU IN first document prepared by James Paul Johnson, Jr



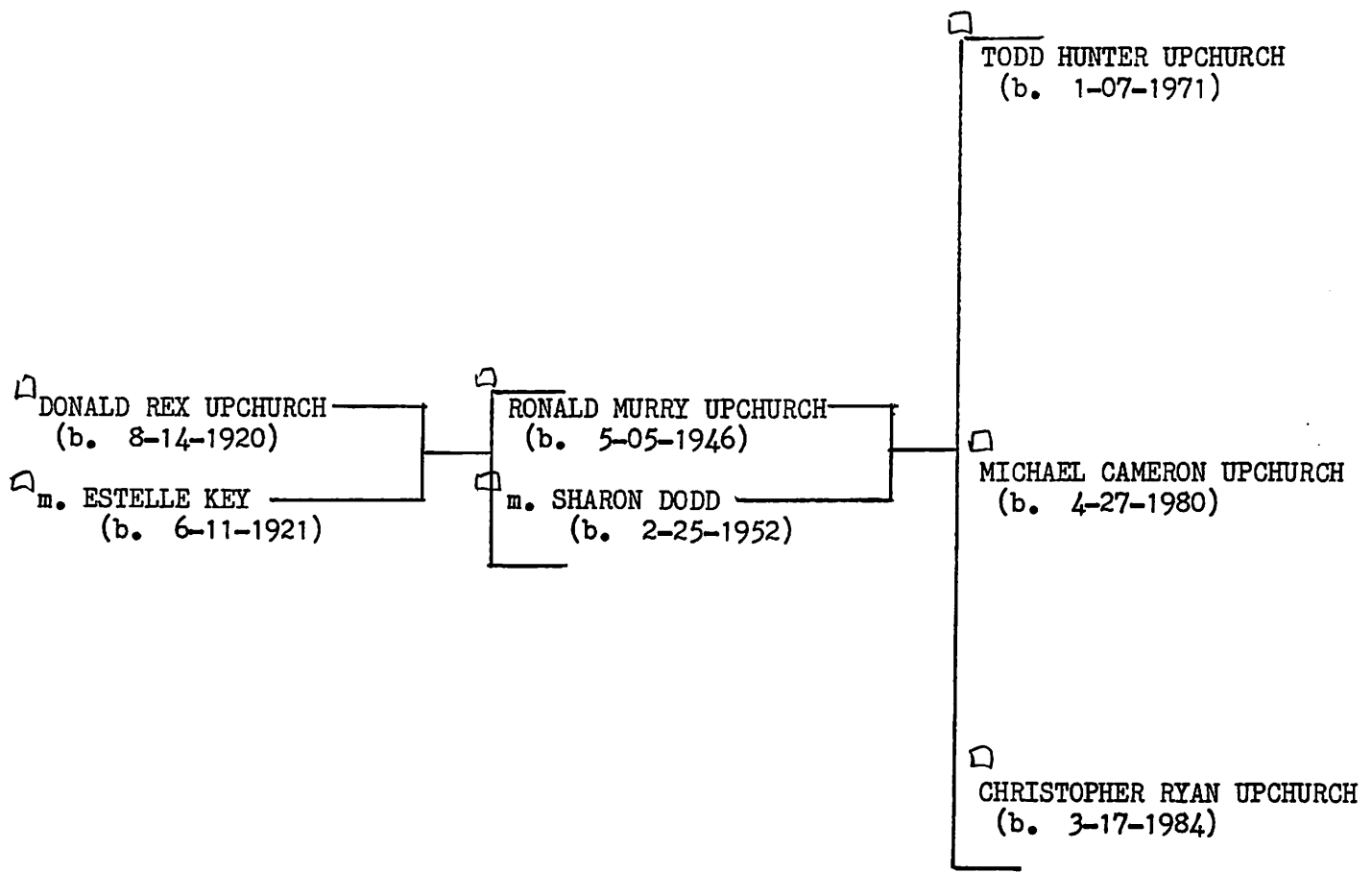


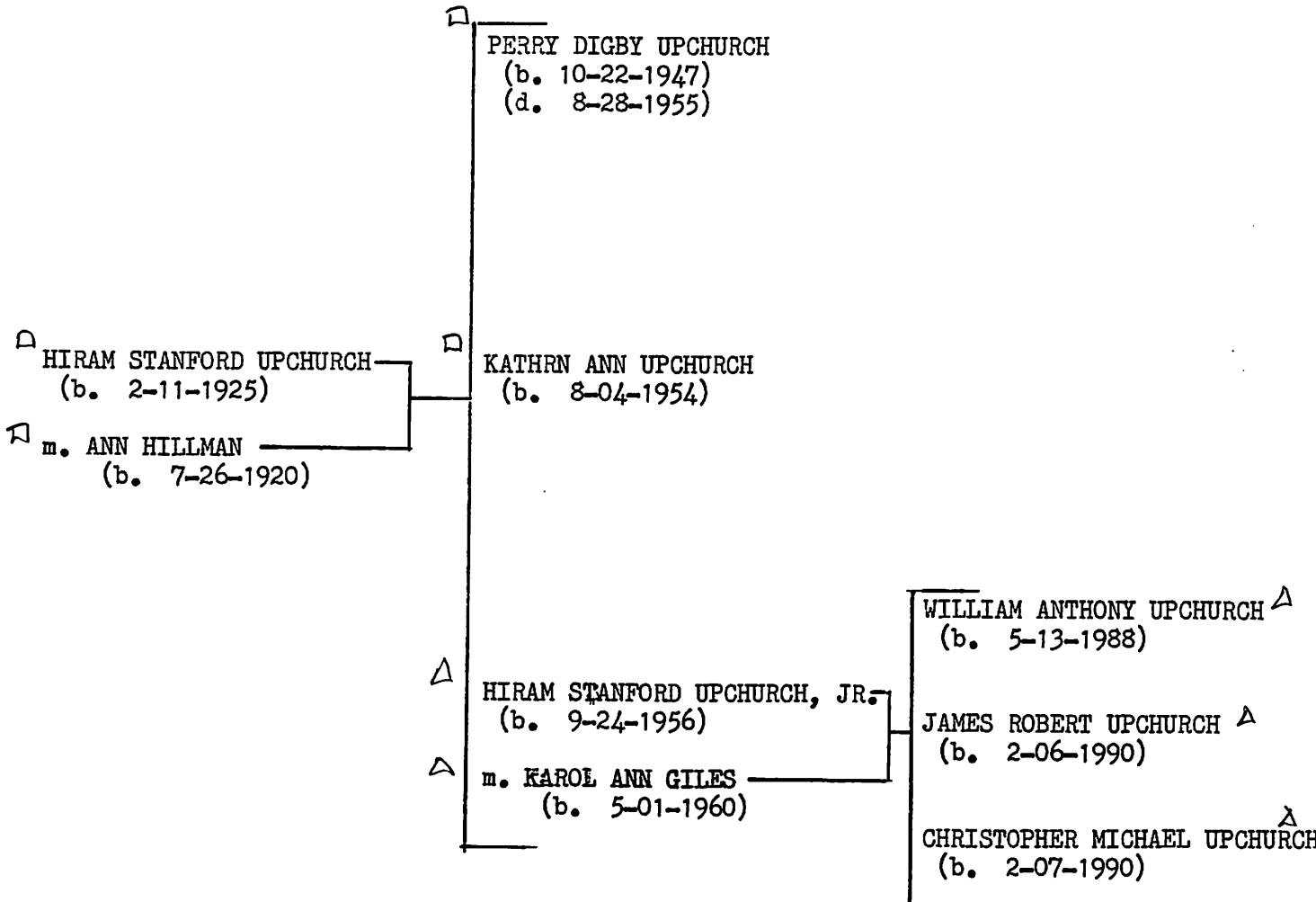
|| Assume nee Leigh Ann Mayo - RPA



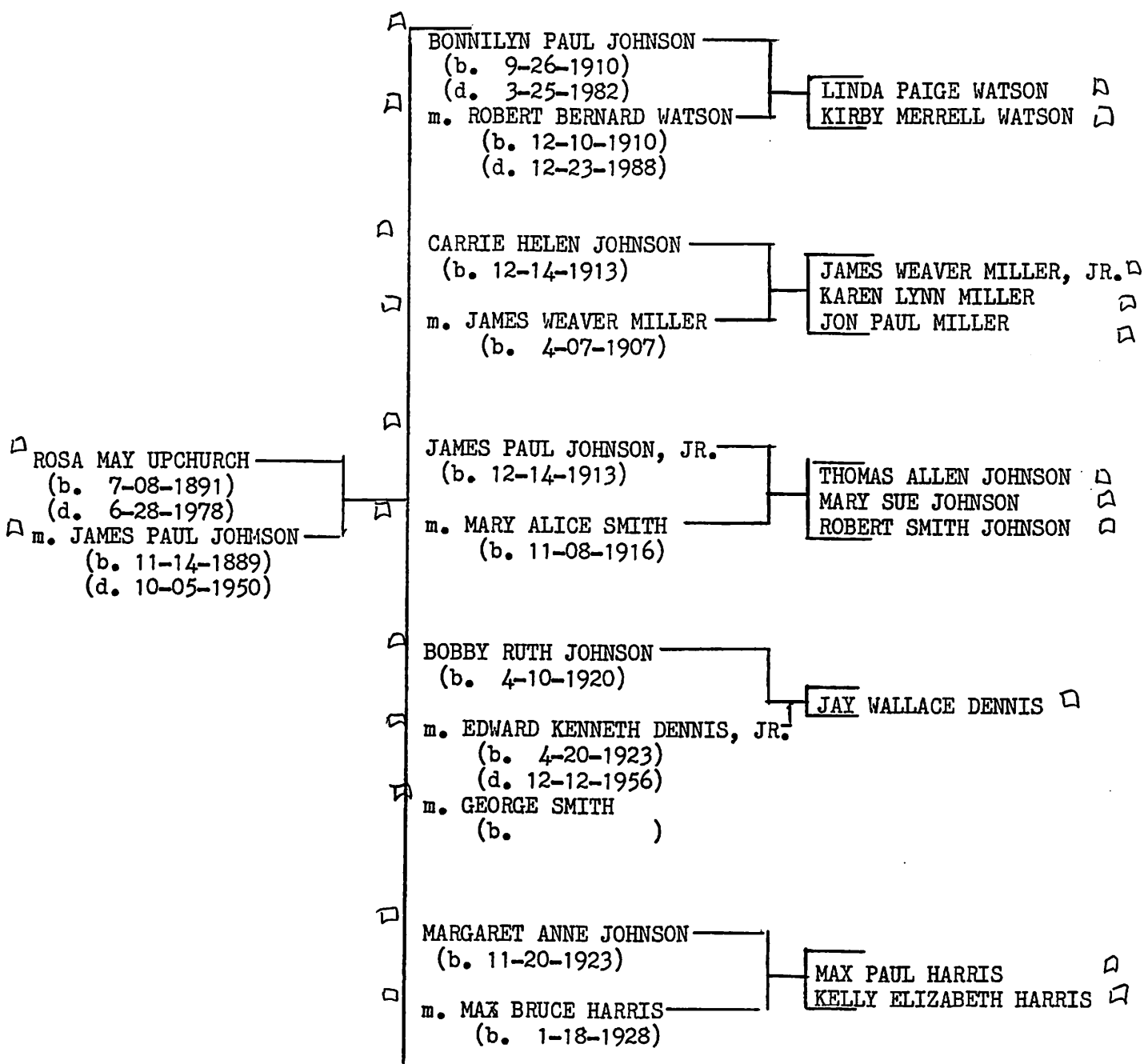


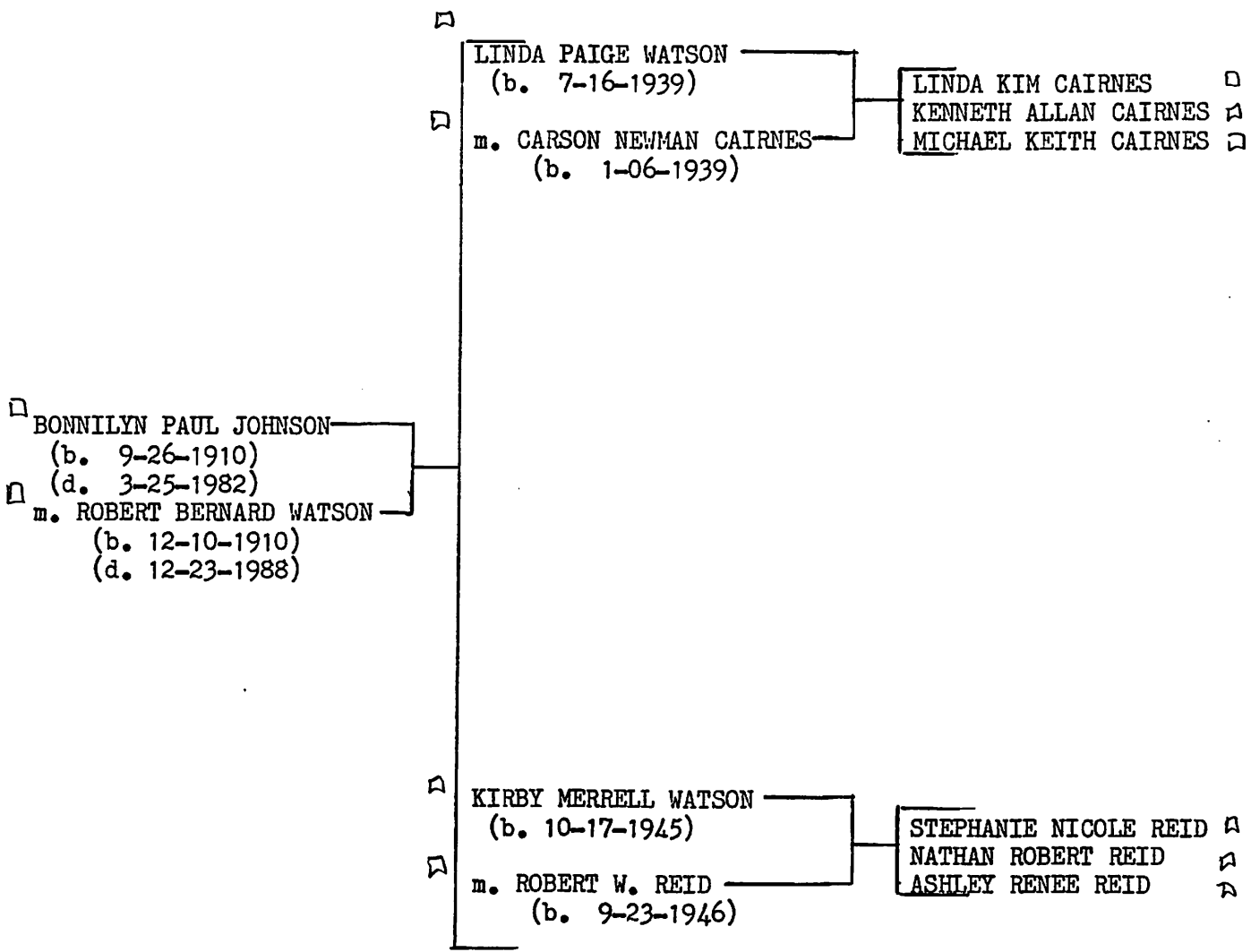
1) VS Kellie Leigh Kilgore as shown in previous records ?? - RPA

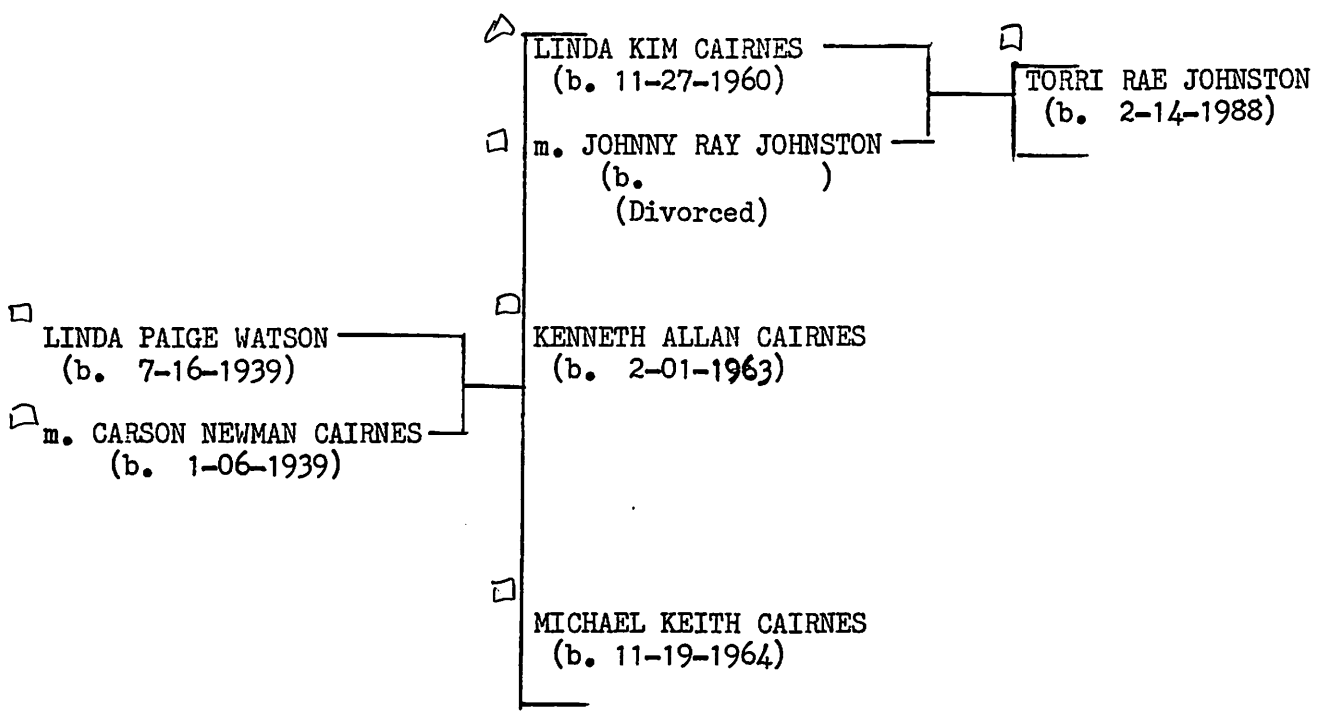


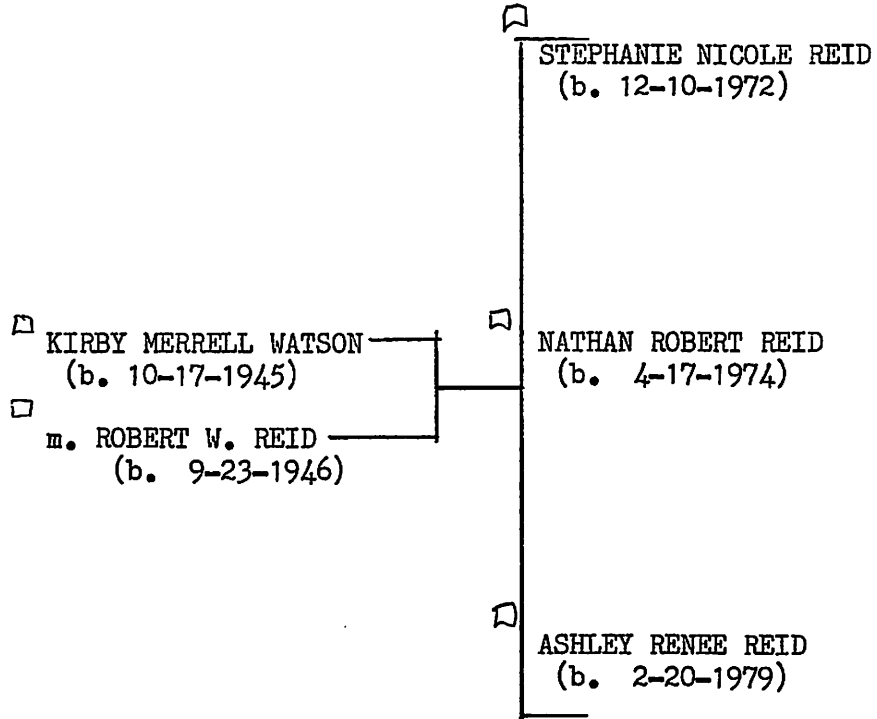


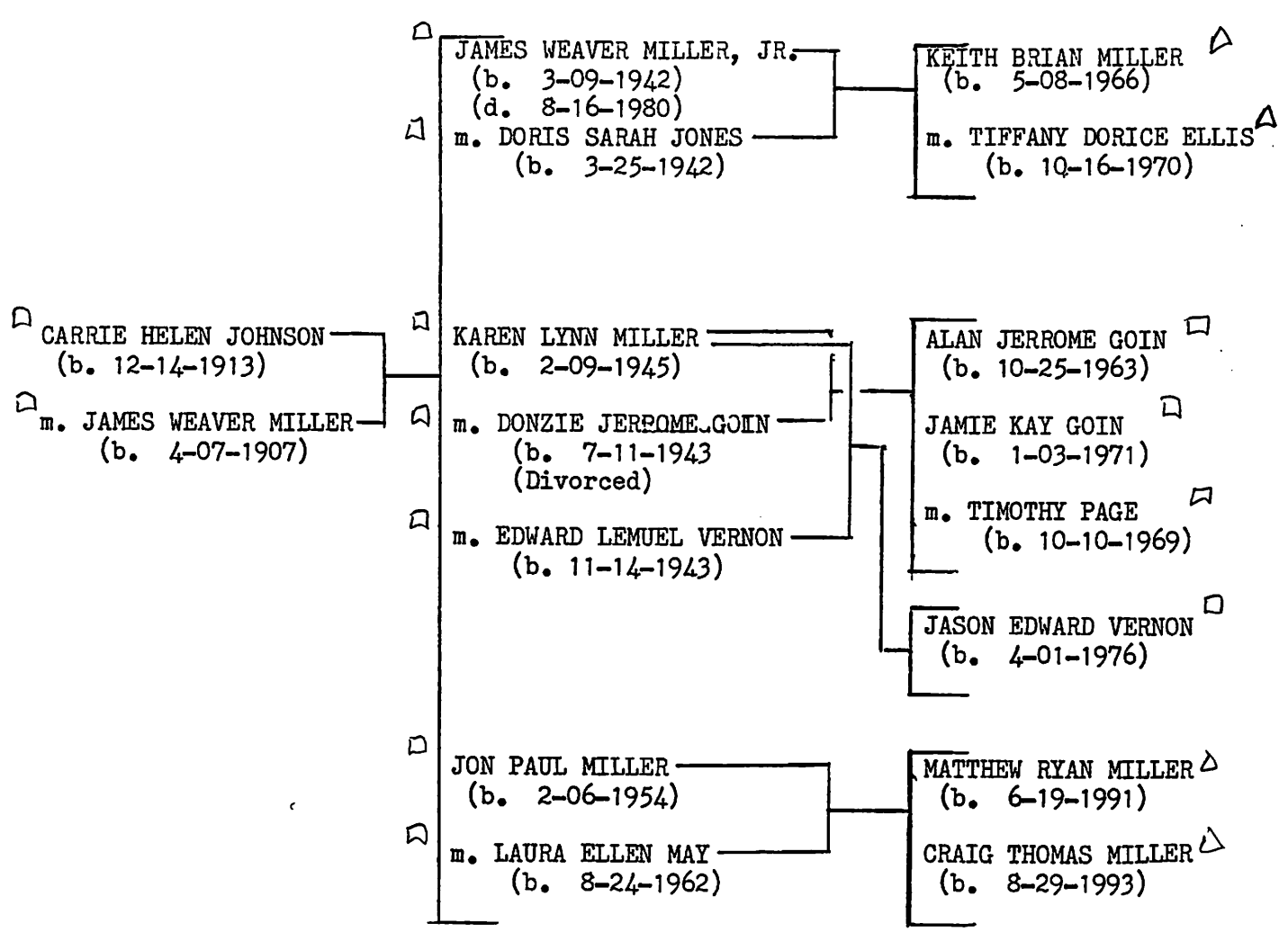


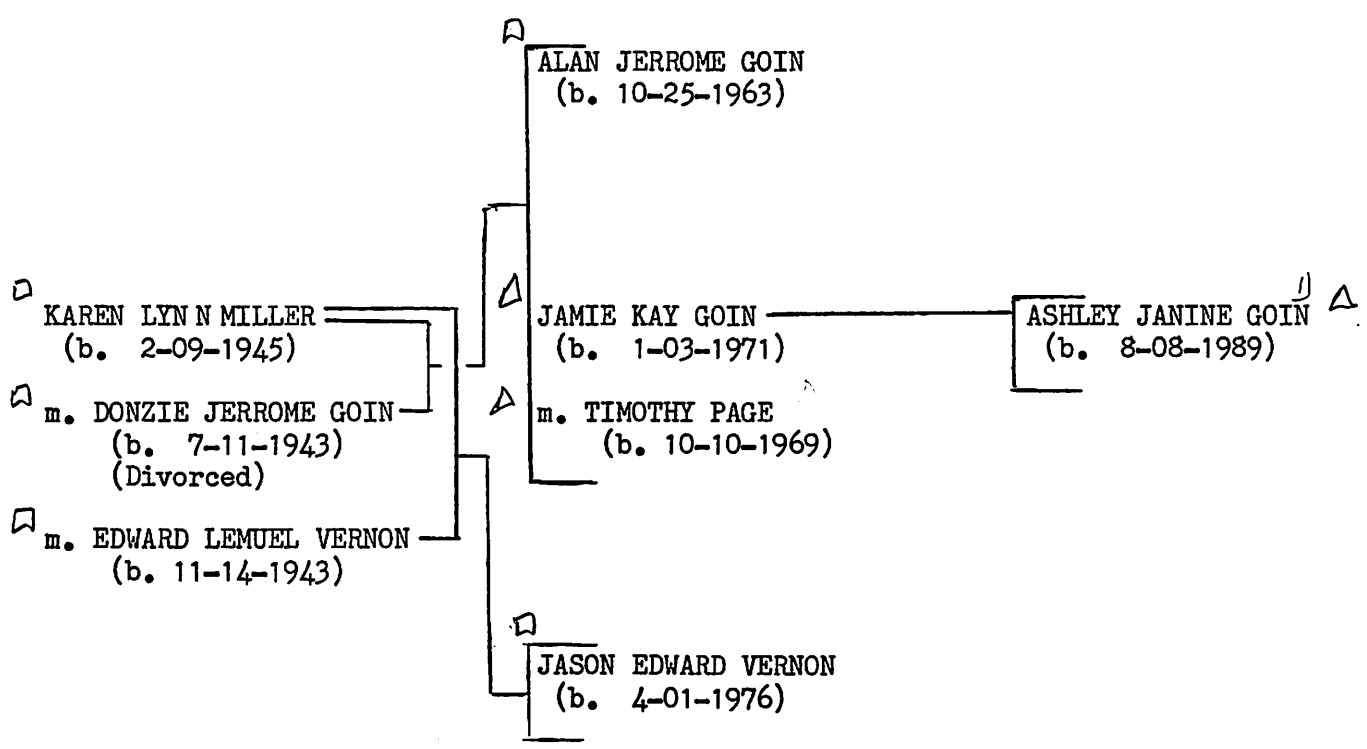




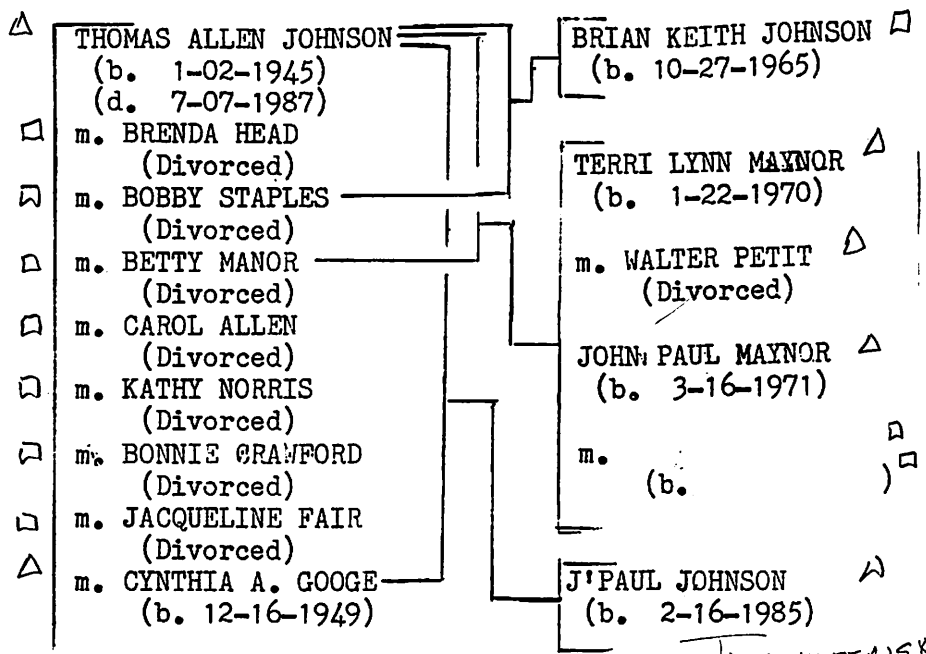




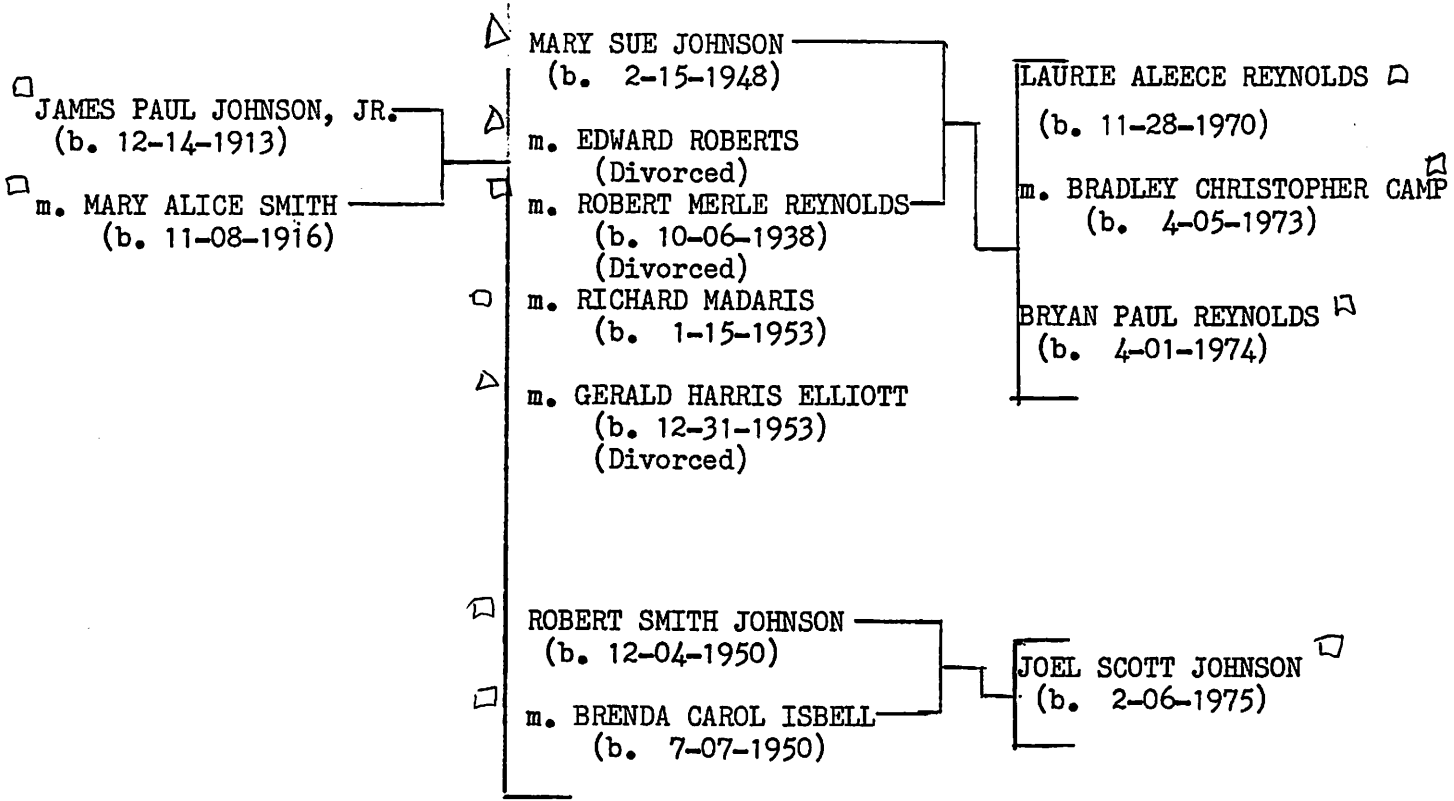


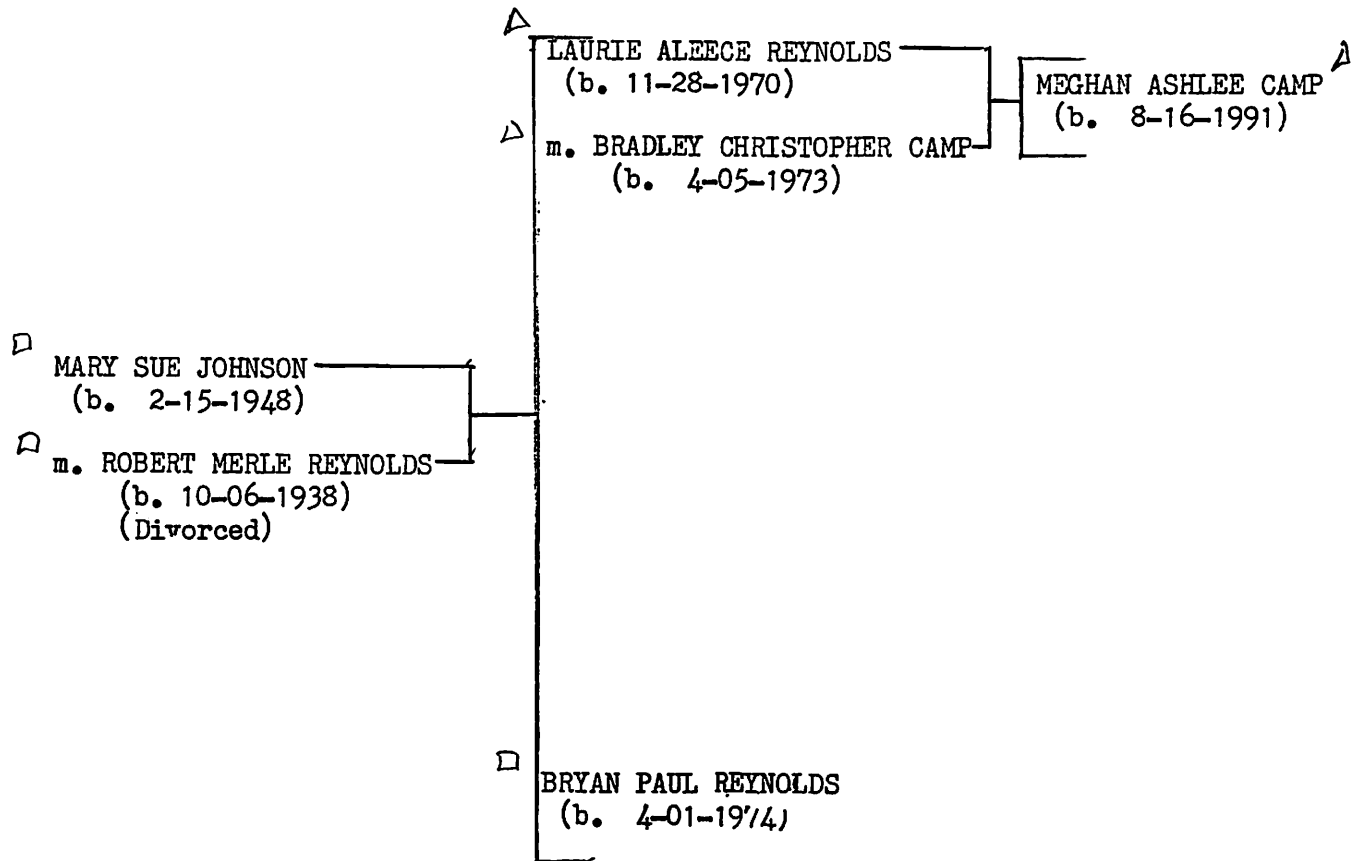


|| Name OK? - RPA

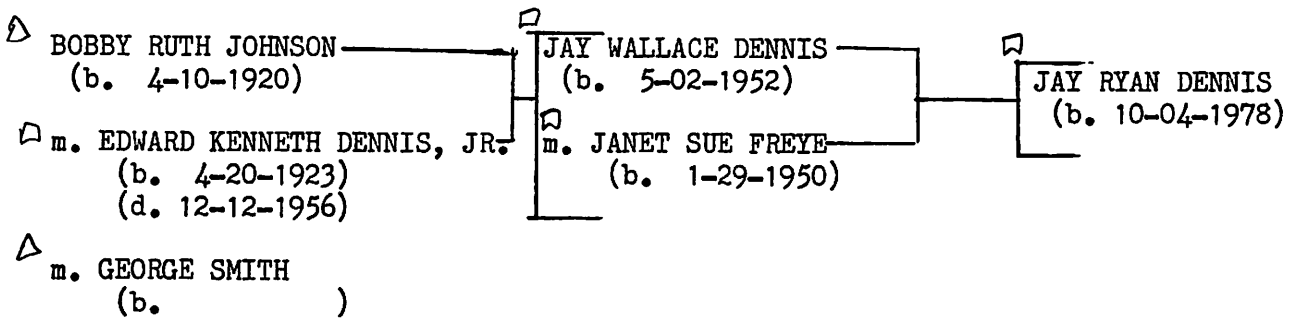


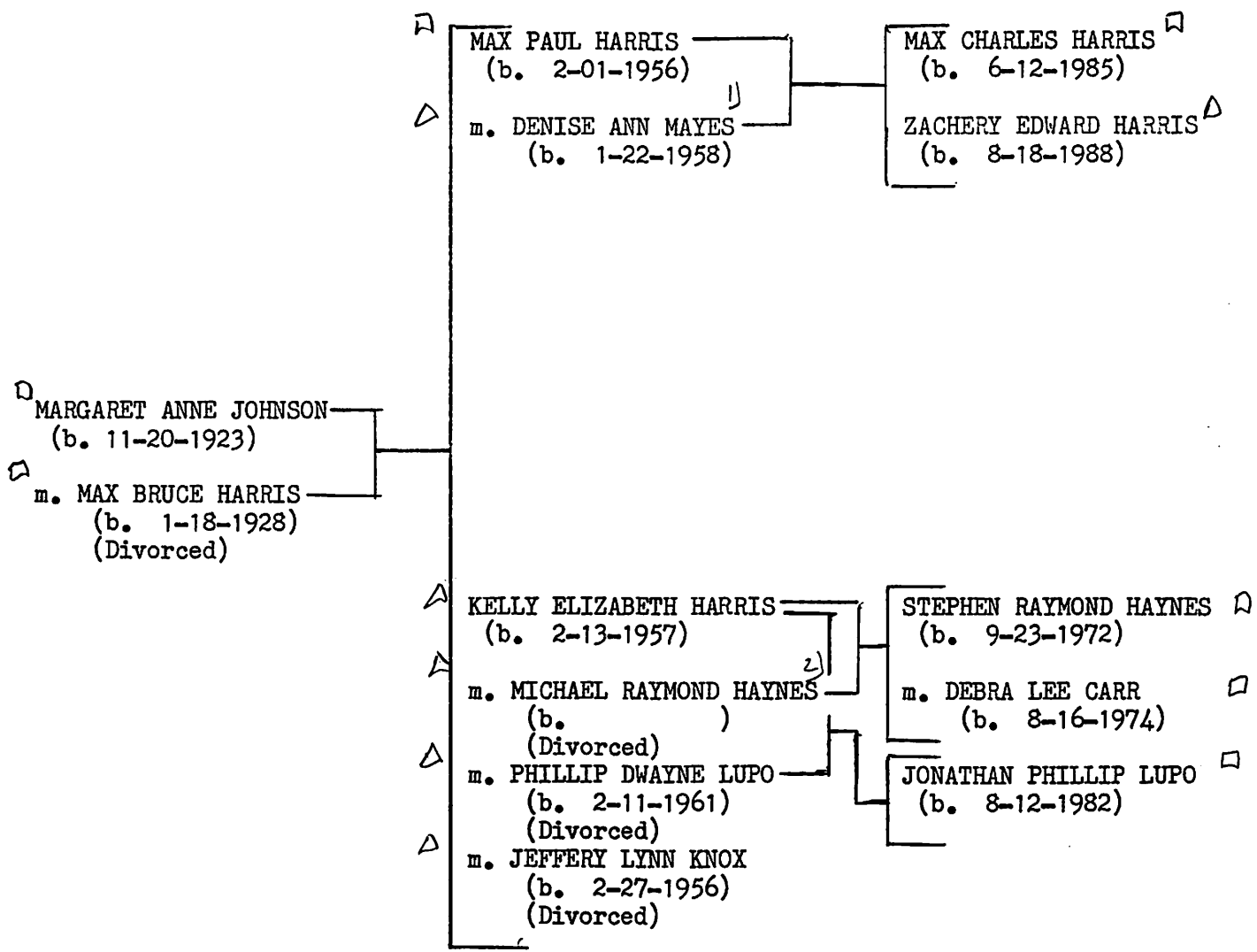
vs 14 FEB 1985



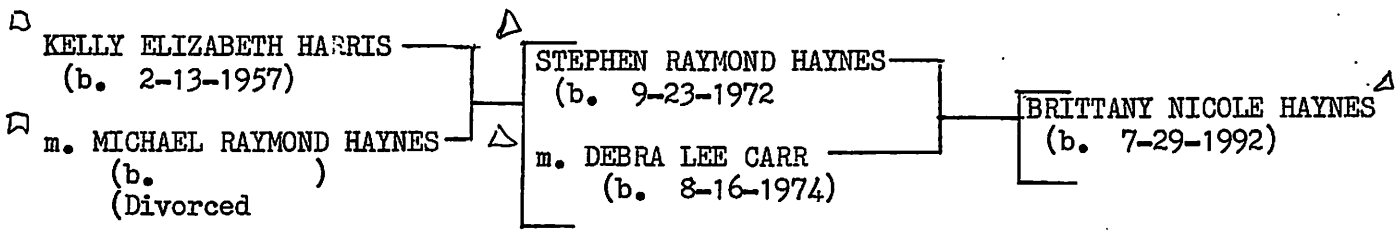


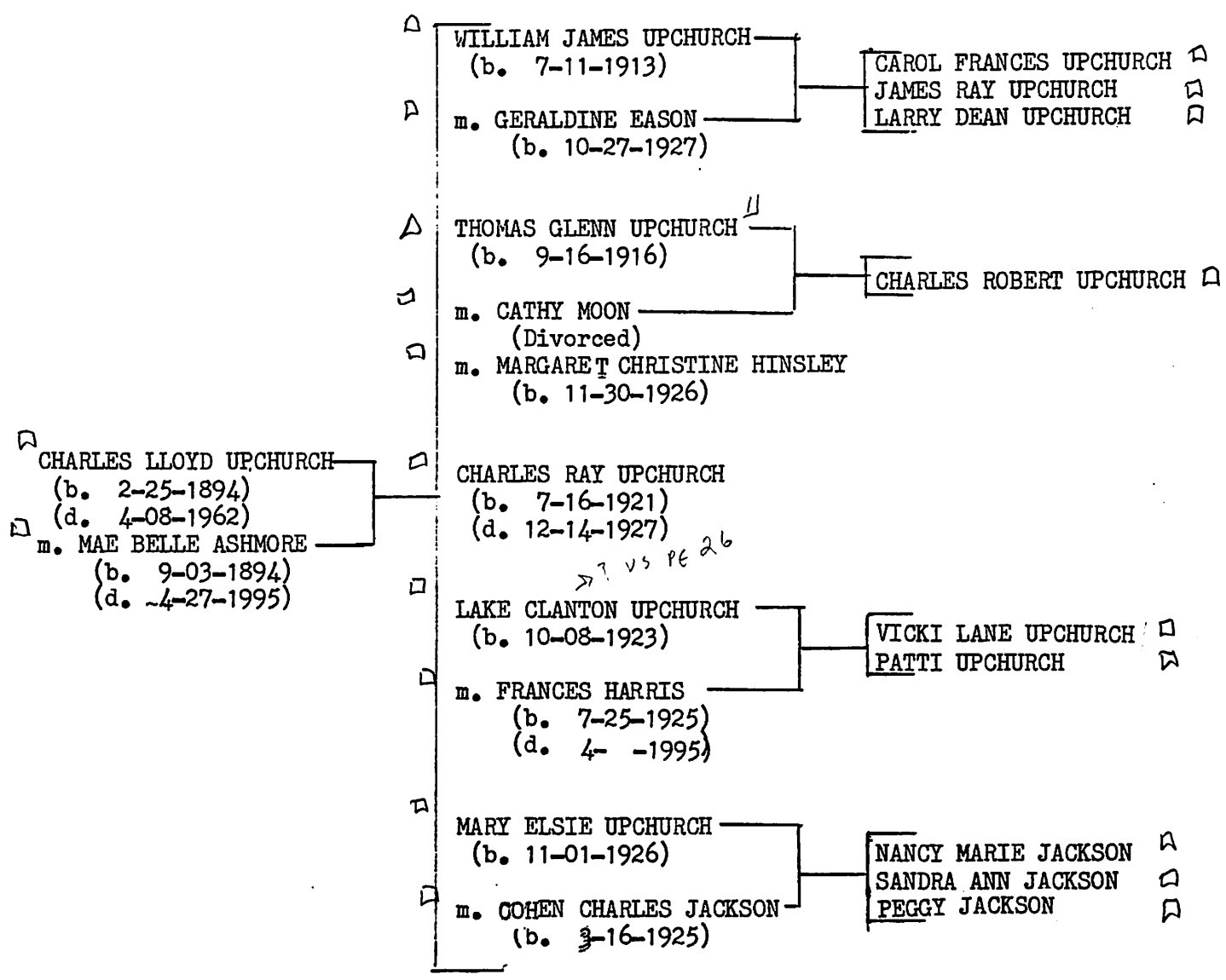




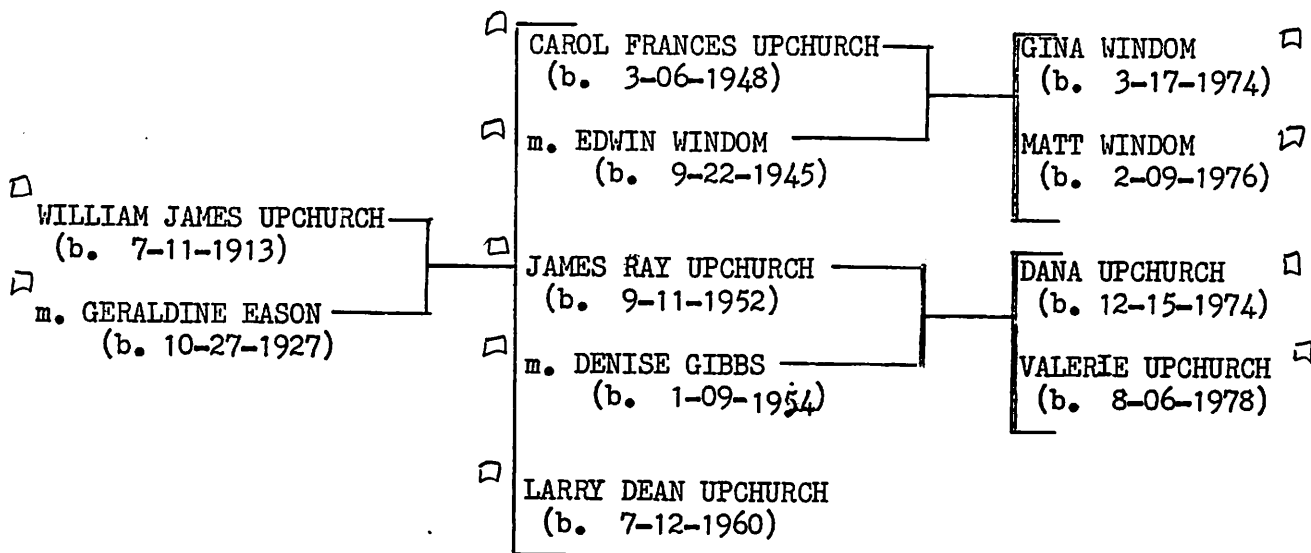


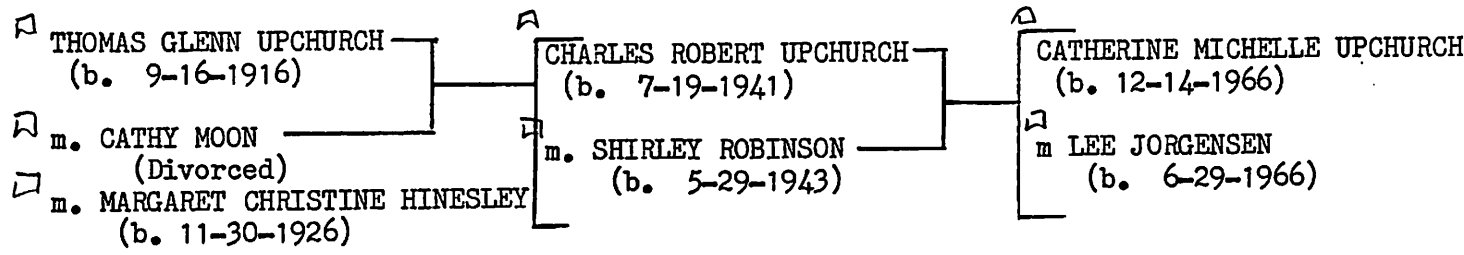
1) vs MATS  
 2) died in an accident.

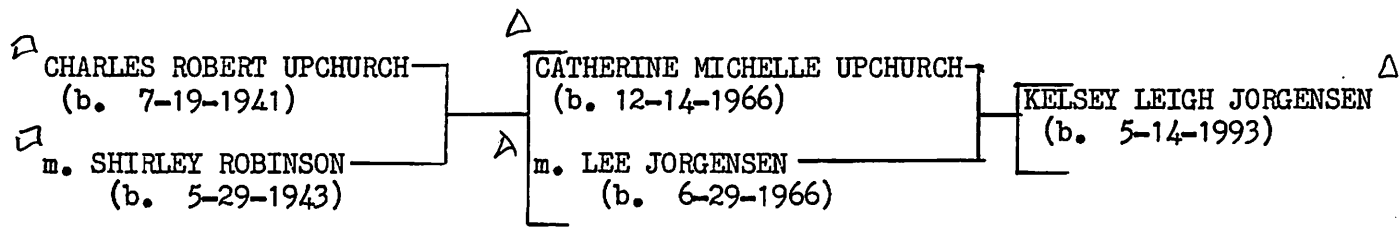


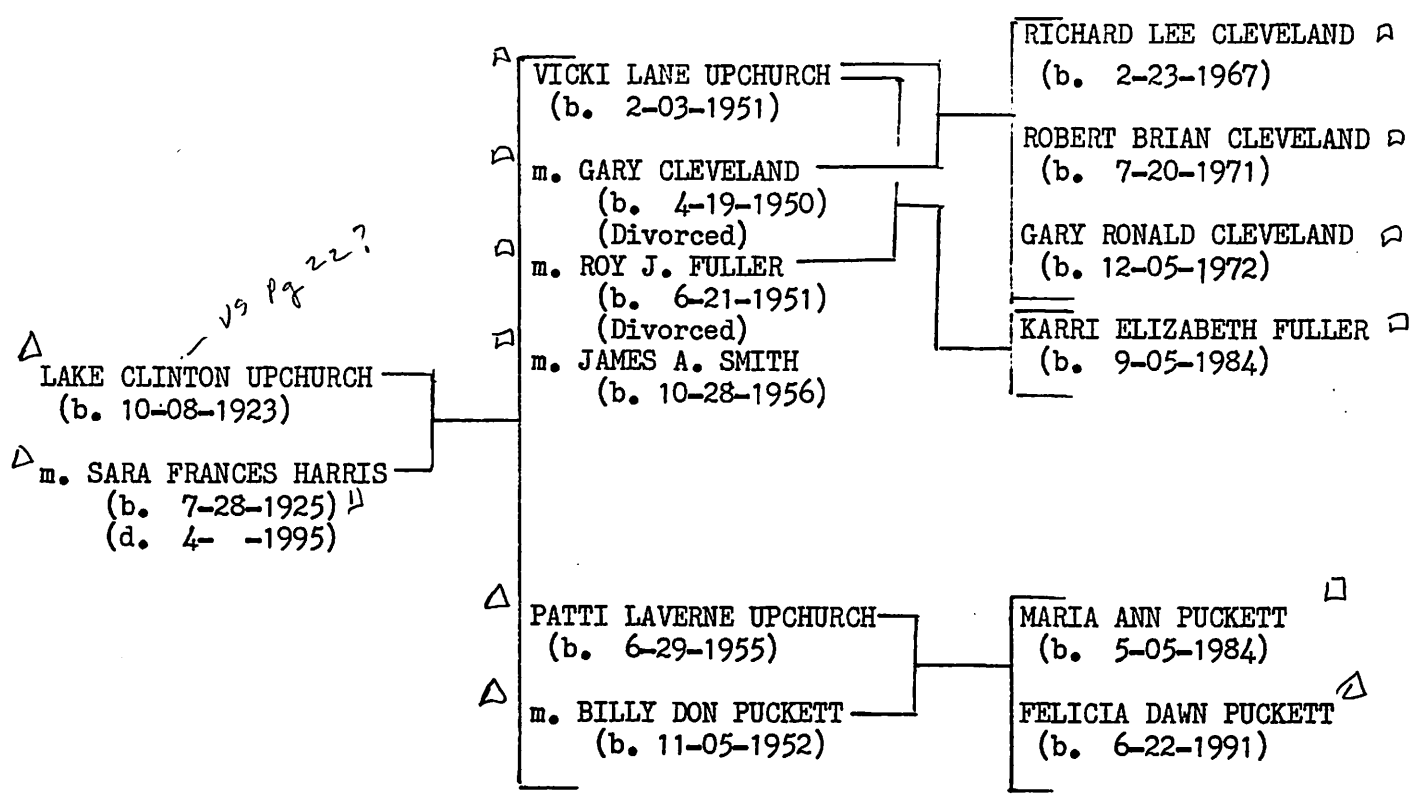


11 vs b 19 SEP 1916





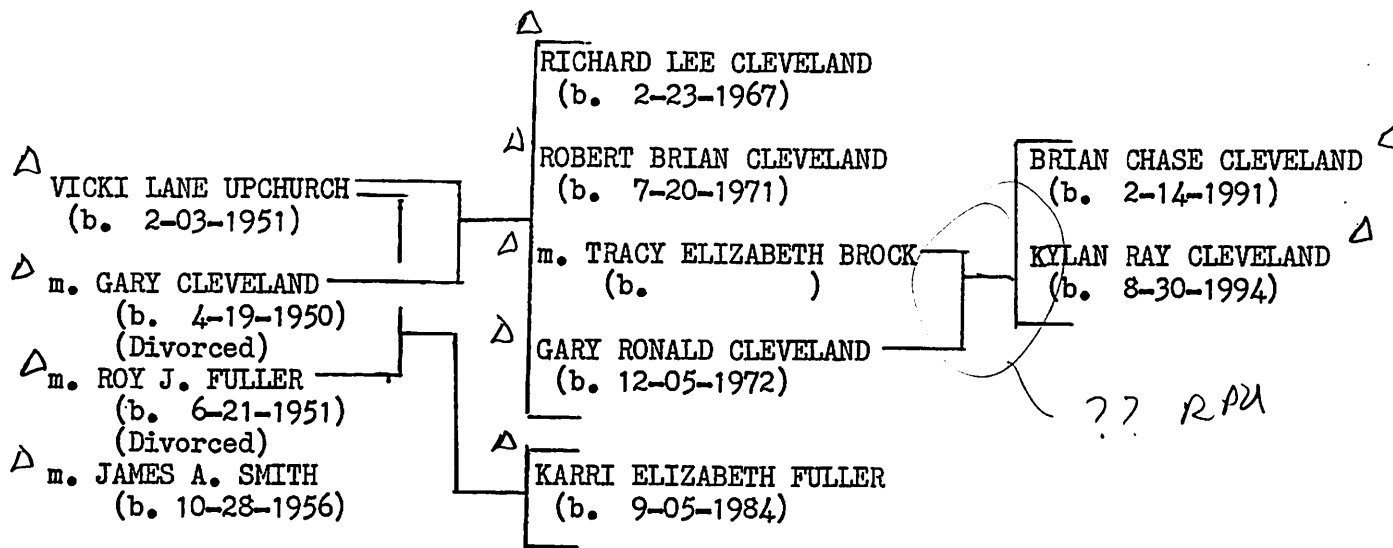




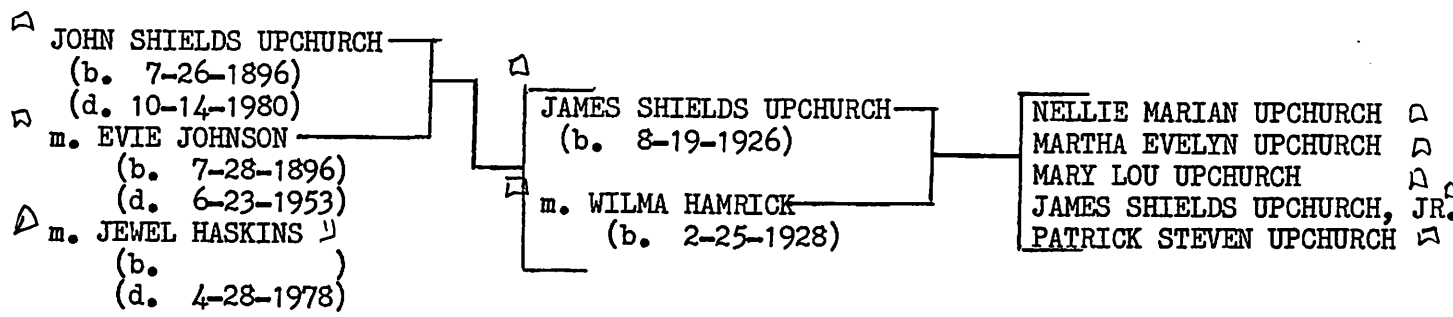
△ vs 25 JUL 1925



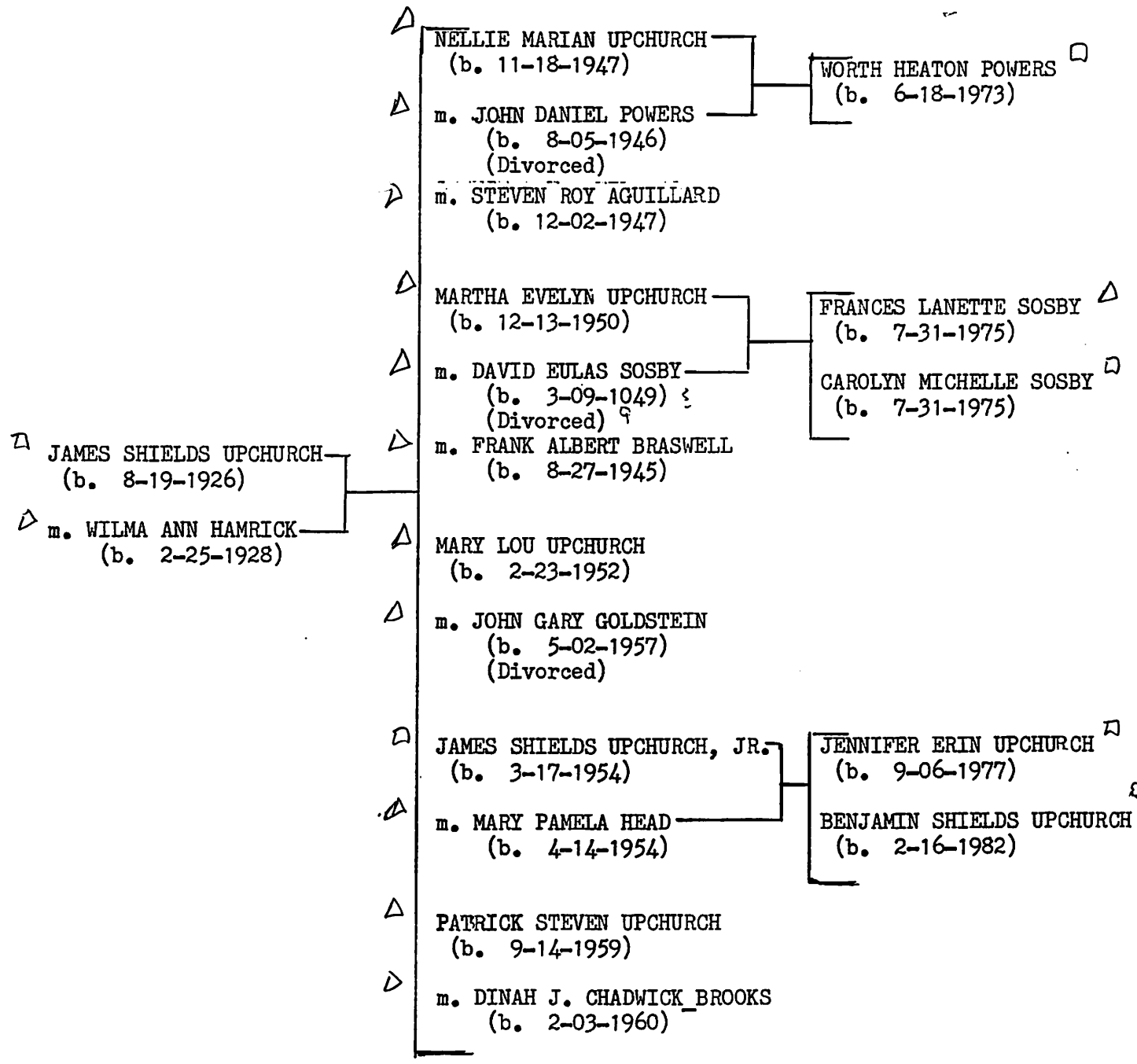
✓ (2)

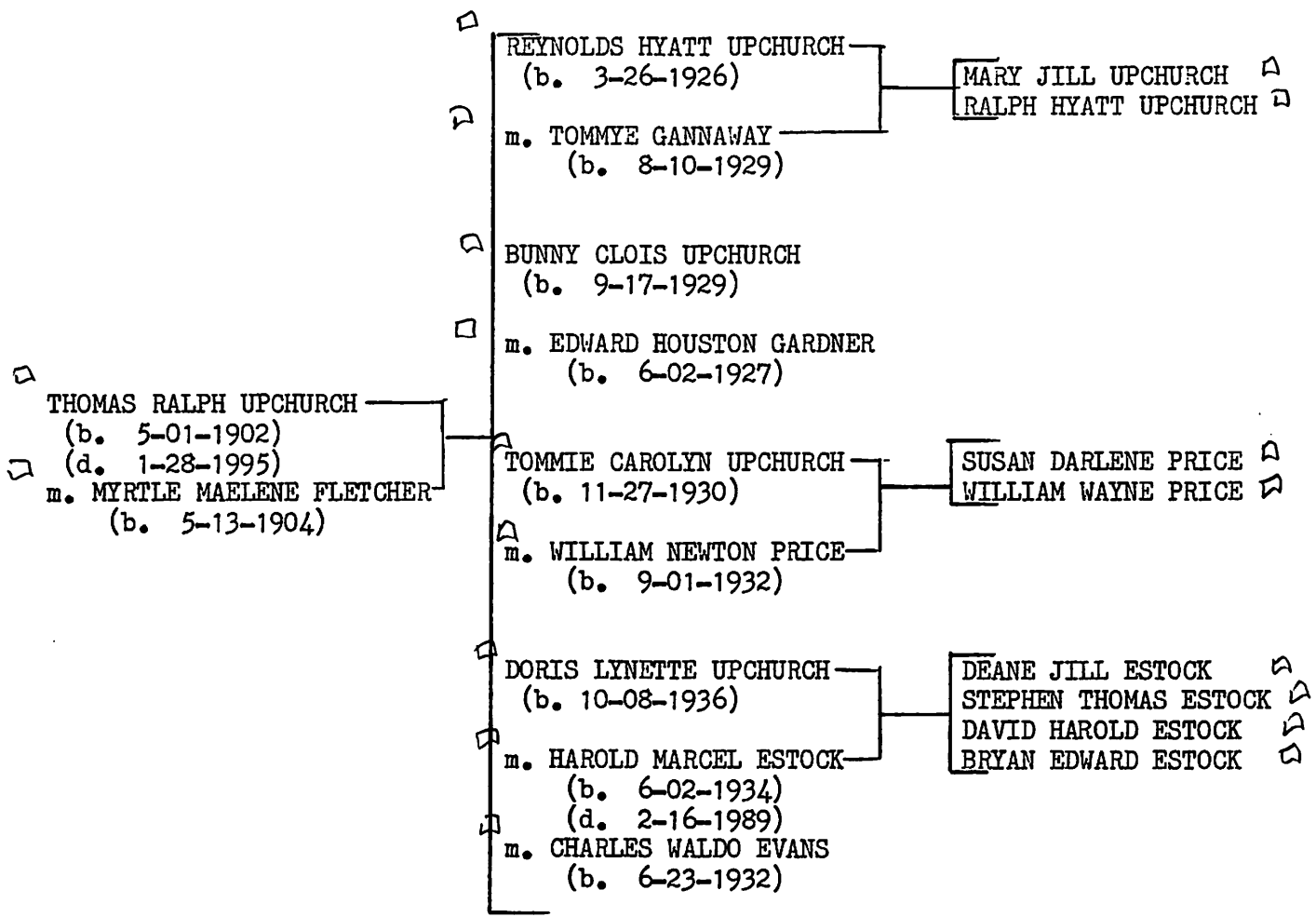


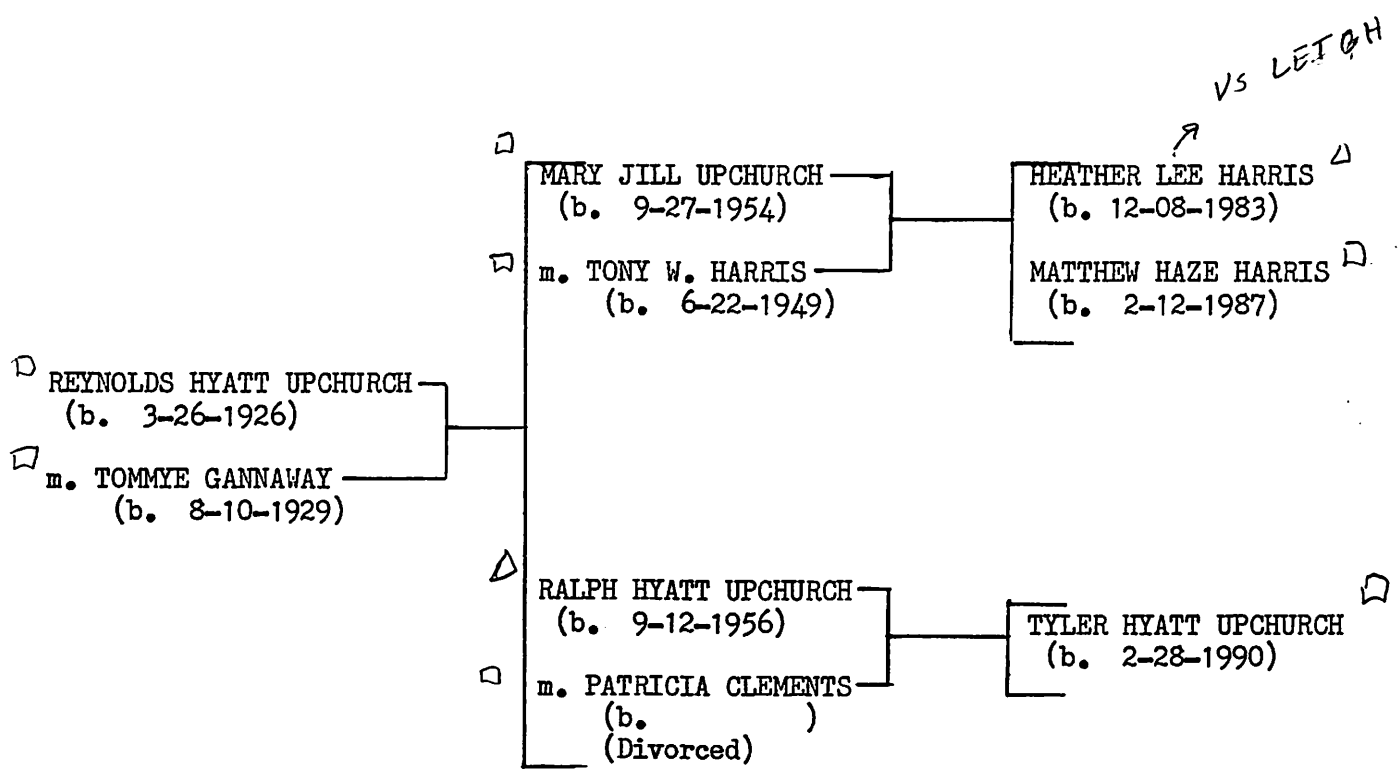


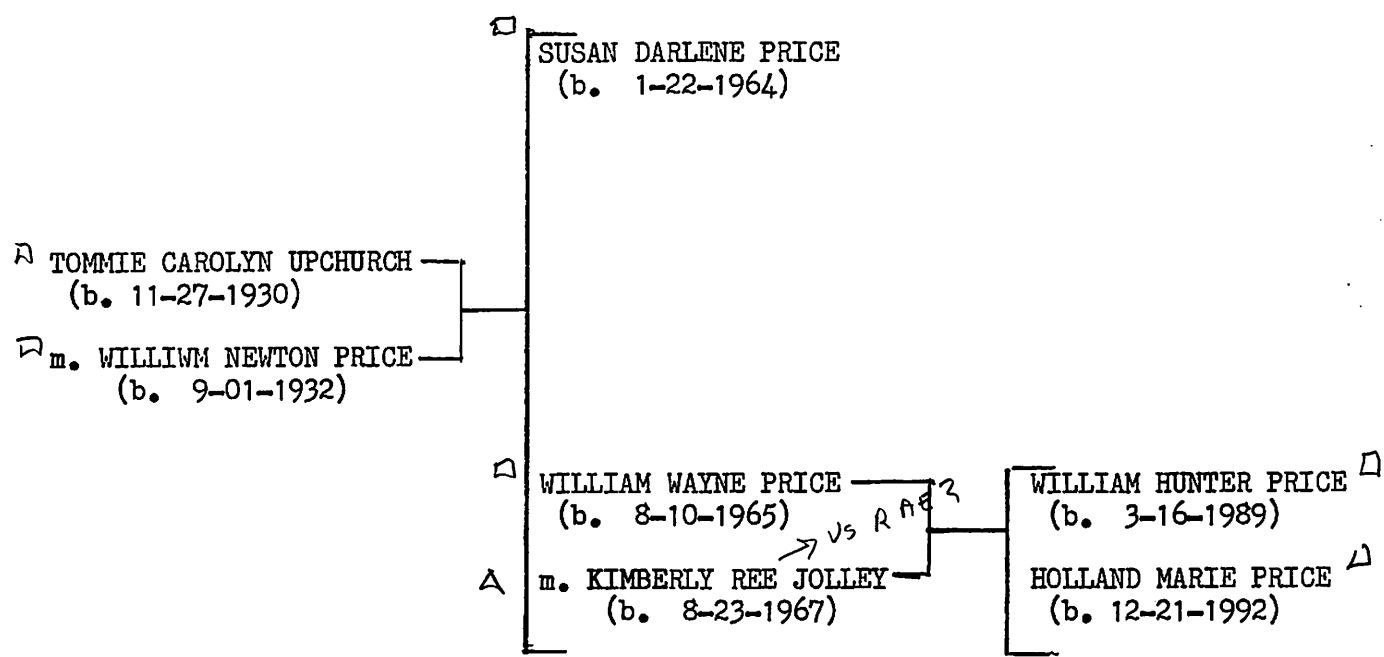


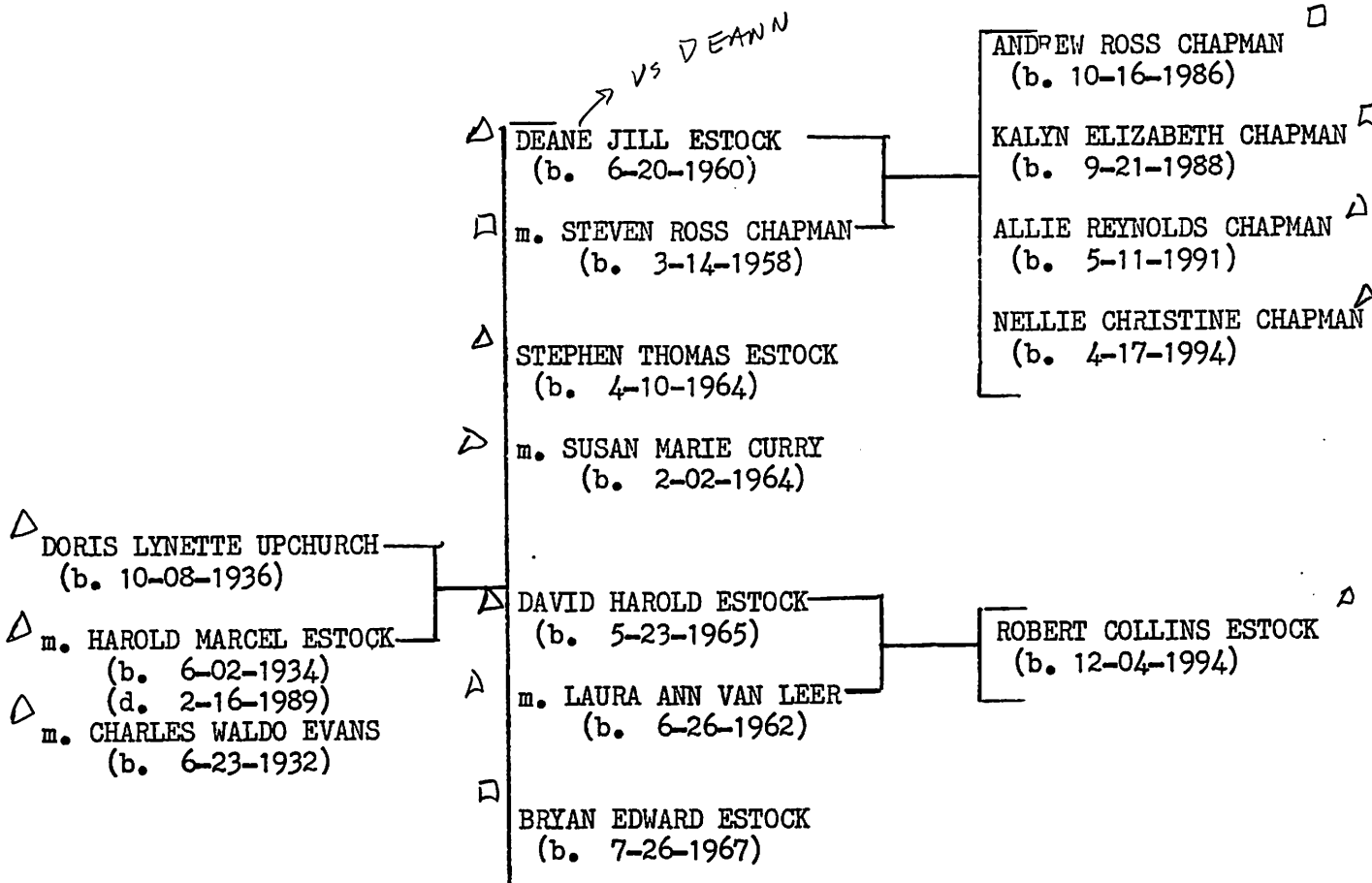
J vs JEWEL (BASKINS) KNIGHT



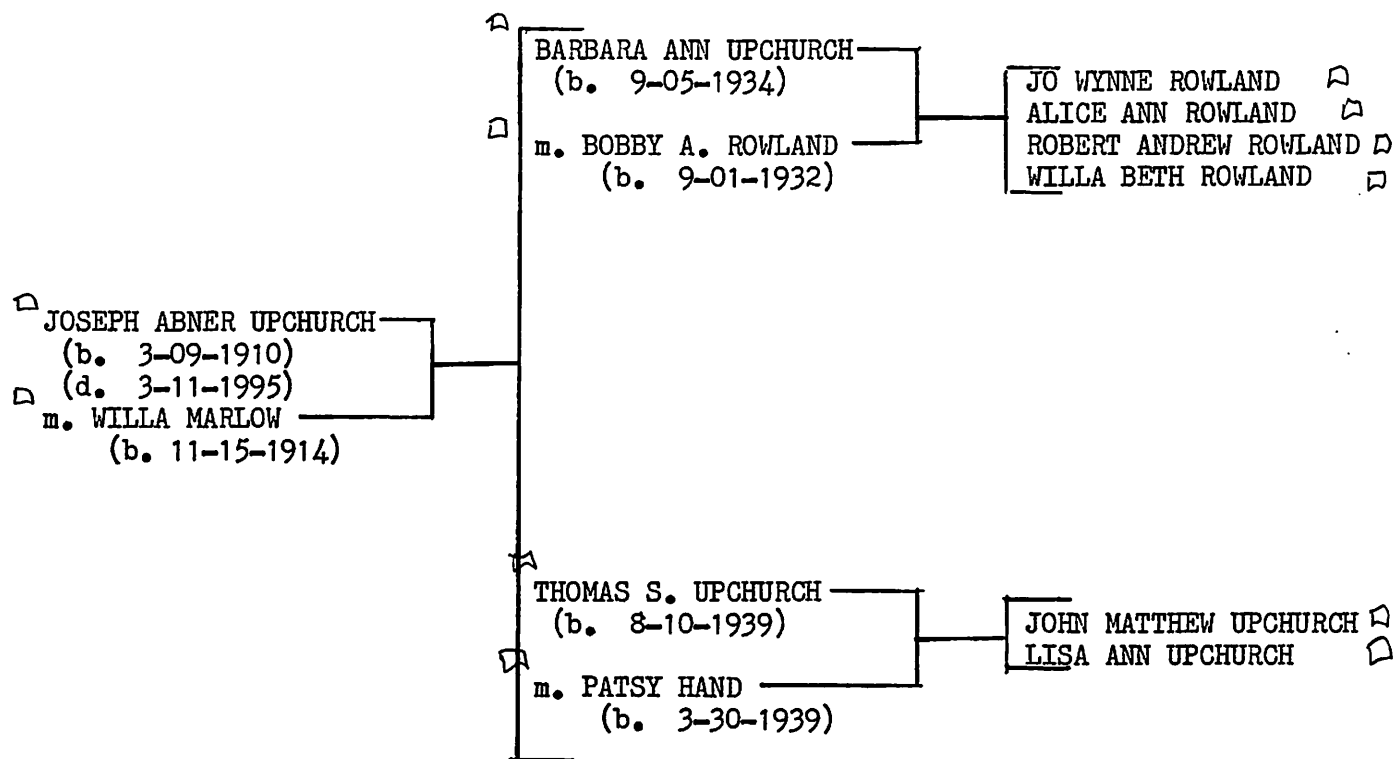


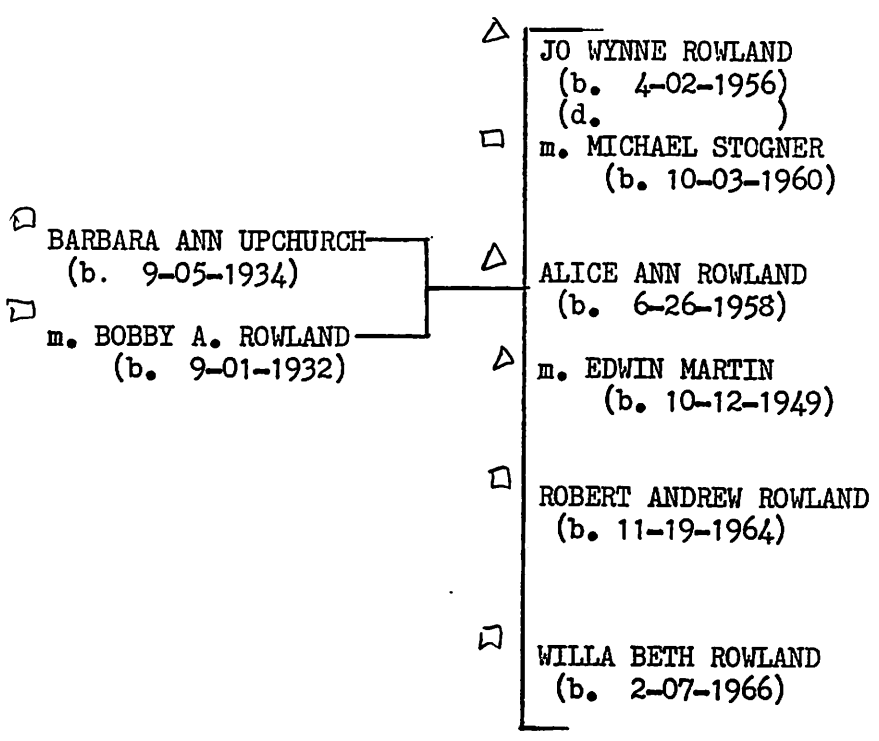


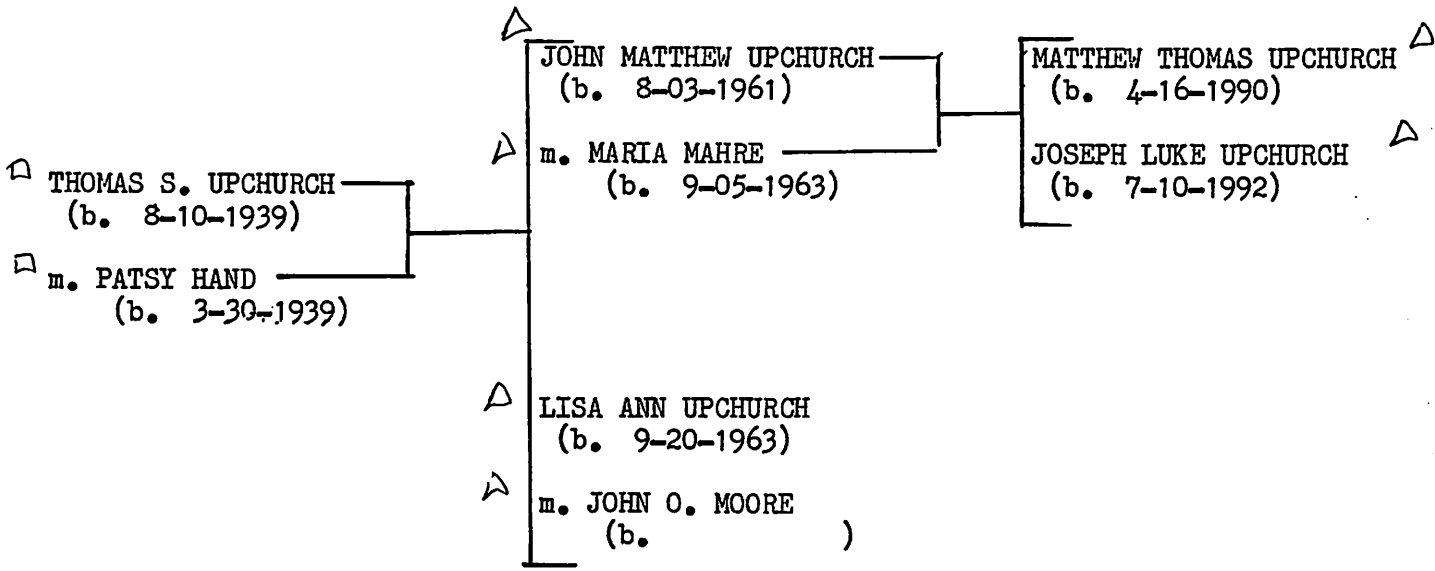












JAMES PAUL JOHNSON, JR

XID-7763

MICHAEL ENTERPRISES  
P. O. BOX 387  
Wentzville, MO 63385

29 APR 1995

J. PAUL JOHNSON

PO BOX 2125

CHATTANOOGA, TN 37409-0125

Dear Cousin Jay.

This is just a note to update you on our plans for the NC/TN trip. Enclosed is a copy of our schedule. We will give you a call sometime during the afternoon or evening of 2 JUN 95 (FRI) to make final arrangements on getting together. I'll write to the people whose addresses you sent. We are not expecting to see a lot of relatives in Chattanooga - however it will be a pleasure to visit with any who can come.

The trip is falling into place nicely. There will be major Upchurch lectures in Zebulon, NC and Jamestown, TN. We will probably need a vacation when we get back home.

I'll look forward to seeing you & Mary.

Sincerely yours  
Phil Upchurch

[ROBERT PHILIP UPCHURCH]

JAMES PAUL JOHNSON, JR

XJD-4263

MICHAEL ENTERPRISES  
P. O. BOX 387  
Wentzville, MO 63385

①

10 APR 1995

J. PAUL JOHNSON

PO BOX 2125

CHATTANOOGA, TN 37409-0125

Dear Cousin Jay

Thank you for your letter of 15 MAR 95 and 3 APR 1995. We have now confirmed several dates for stops on our NC-TN trip. We will definitely plan to arrive in Chattanooga at least by early evening on FRIDAY 2 JUN 95 and will plan on visiting with you and Mary on Friday and/or Saturday. If you could invite some family members to visit on Saturday that would be great. You can pick a time & place for them to assemble or just let them come as they will. We will soon arrange for a reservation at the Hampton Inn. I now have a new book on Hampton Inn and note two in Chattanooga on I-24 - one 2420 Williams Street and one at 3641 Cummings Highway. I will assume the Cummings Highway location is the one near you unless you specify otherwise.

Thank you for names of Upchurch in the Chattanooga, TN area. I will write to them in due course.

Thanks for the information on Abner U. I was sorry to learn of his passing.

It is great that you are working on an update for the family of Thomas H. U. I'll bring my mother's outlines so we can compare notes.

One can appreciate that you will be glad when tax season is over. So will we. We spent all day yesterday reviewing the returns our accountant has prepared for us and we have to call him about 6 issues this AM. Also, we have to start quarterly filings and at this point it looks very confusing. We'll get it all settled in due course.

It will be a great pleasure to visit with you and Mary.

Sincerely yours  
Phil Upchurch

[ROBERT PHILIP UPCHURCH]

JAMES PAUL JOHNSON, JR. <sup>XID-7763</sup>  
April 3, 1995

Dear Phil,

REC'D  
5 APR 95

Mr. James P. Johnson  
P.O. Box 2125  
Chattanooga, TN 37409

Following are names of members of the  
Upchurch family living in the  
Chattanooga area.

COY WAYNE U.

1046 BLANTON DR  
CHATTANOOGA, TN 37412

DONALD M. U.

<sup>and</sup>  
JAMES S. U.  
6222 C. CHAMPION RD  
CHATTANOOGA, TN 37416

JAMES W. U.

1337 SEQUOYAH ACCESS RD  
SODDY DAISY, TN 37411

JAMES W. U.

4306 TEPEE DR.  
SODDY DAISY, TN 37411

K. <sup>?</sup> UPCHURCH

6302 TUDOR LANE  
HIXSON, TN 37343

RONALD W. U.

2876 OLD BRITAIN CIR.  
CHATTANOOGA, TN 37341

over

JAMES PAUL JOHNSON, JR. <sup>XFD-7763</sup> Mar. 12, 1995

J PAUL JOHNSON  
PO BOX 2125  
CHATTANOOGA TN 37409-0125

REC'D  
15 MAR 1995

Dear Phil,

Please forgive me for taking so long to answer your nice letter. I have no real excuse, although I have been somewhat busy in my volunteer work as a tax counselor for the elderly (TCE). We are now well into the tax season and I'm looking to the end on April 15. This is my 15<sup>th</sup> year in the work.

□ If you haven't heard, Uncle Ralph died Jan 28.  
□ We miss him greatly. And more bad news.  
□+□ has come our way. Abner, Ralph's half brother,  
□ died yesterday. He had a severe problem  
- with arthritis and hasn't been able to walk for  
□+□ several years. We are going to his funeral  
- tomorrow in Burwell (Carroll Co. Ga).

Mary and I look forward to your visit with us on Sunday, May 21. You mention staying at the Hampton Inn. There is one near I-24 in Chattanooga about 2 miles from our house. Going east on I-24 you would exit on the Broad Street ramp. Call me when you get in and I'll meet you. Our phone no. is  
615-821-3802.

I will invite family members who live in Chattanooga and also those I see at the funeral tomorrow. I have no idea how many will accept.

I am working on a revision of the Thomas & Wfchurch family genealogy and hope to have it finished by your visit.

Thanks for the interest you show in our family and I know we will enjoy your visit.  
Truly yours,  
James Paul Johnson.



JAMES PAUL JOHNSON, JR

XFD-7763

① ↘

Order Form

UPCHURCH BULLETIN

Date FEB. 15, 1982

Please enter my subscription(s) to UPCHURCH BULLETIN (Four issues/volume).

I enclose \$ 30<sup>00</sup> for the following subscription(s) at \$10.00 each for unbound volumes and \$20.00 each for bound volumes:

\*Unbound - Vol. 1 (1980) 1, Vol. 2 (1981) 1, Vol. 3 (1982) 1.

\*\*Bound - Vol. 1 (1980)    , Vol. 2 (1981)    .

Send subscription(s) to:  
(Please print)

NAME J. PAUL JOHNSON

ADDRESS P.O. Box 2125

CITY CHATTANOOGA STATE TENN. ZIP 37409

Send payment and make check payable to MICHAEL ENTERPRISES.

MAIL TO: Michael Enterprises  
P. O. Box 35804  
Tucson, Arizona 85740

*paid 20 FEB 82 ch # 1806 del'd  
15 FEB 82 for 30.00 signed  
J. Paul Johnson  
Mrs J. Paul Johnson*

*64-60  
6.8.81  
84-82*

ME-Form 1 Jan 82

\*Unbound volumes each consist of four issues. Each issue consists of 40 pages stapled with stiff paper front and back.

\*\*Bound volumes consist of four issues bound together with hard covers at a professional bindery and include an overall table of contents.

② Address from Mrs R. B. Wilson 11 DEC 80  
Jay Johnson  
P.O. Box 2125 St Elmo  
Chattanooga, TN 37499 } In AF

(Note: I assume this is James Paul Johnson of Charles H. Hamrick U. See # 124. - RPA)

③ 1 APR 1995 - called JPT, ph # [615-821-3802] about proposed schedule to arrive in Chattanooga on 3 JUN 95 & to have session on 3 JUN 95 (SAT). He agrees he will send me a list of U's from the phone book. He understands I want to depart late SAT or early SUN

JAMES PAUL JOHNSON, JR XID-7763

MICHAEL ENTERPRISES  
P. O. BOX 387  
Wentzville, MO 63385

①

J. PAUL JOHNSON  
PO BOX 2125  
CHATTANOOGA, TN 37409

16 JAN 1995

Dear Cousin Jay,

Many thanks for your letter of 12 JAN 1995. I do hope your Uncle Ralph bears up under his medical situation. We just had his renewal on the U<sub>12</sub> and I wrote him a letter. I noted that the check was signed by his son Wyatt.

We deeply appreciate the offer to stay in your home when we travel through your area next May. However, it is our preference to stay in a motel. We usually choose something like Hampton Inn if it is available. Staying in a motel allows us to arrive late, leave early, make appointments to see people, etc. I would like to lean on you for advice about how to interact with members of the extended family circle in the area. Your willingness to get some of the family together is great and I would appreciate very much your efforts in this regard.

If it seems in order I would be happy to give an "Upchurch lecture" in the Chattanooga area. However, there may not be enough who are present/interested. With 25 or above a formal lecture can be useful. With less, I could just have a "chat" about the family. I am very flexible in such matters. I would certainly look forward to a personal visit with you - perhaps over a cup of coffee in your home. ②

At present I am waiting word from Cousin Edythe Medlin Tippet in Zebulon, NC about proposed arrangements for an Upchurch lecture in her town on Sunday 28 MAY 95. If this works out I could visualize leaving Missouri on Thursday 18 MAY, spending 19 MAY in Henry Co, TN, spending SAT 20 MAY enroute to Chattanooga with some brief Upchurch stops along the way. This would put us in Chattanooga for a full day on SUN 21 MAY with a departure for parents east on MON 22 MAY. Does this arrangement seem suitable with you. I don't want to be a bother and feel that the opportunity

A "just visit" is very worthwhile. (3)

You mentioned some more data on the family. I am happy to have this at any time - in general the sooner the better.

However, the transfer can certainly wait until our visit if that is most convenient.

Things continue to fall into place well nicely. This week I go for my Missouri driver license. Tomorrow, I go into the city for lunch with my daughter and to explain my program on plans for various activities. Sallaine is down to being concerned about the last customers that need to be selected/installed.

With All Best Wishes!

Sincerely yours  
 (☺) Phil Upchurch

[ROBERT PHILIP UPCHURCH]

JAMES PAUL JOHNSON

XED-7203  
Jan 12, 1995

REC'D 14 JAN 1995

J. Paul Johnson  
P.O. Box 2125  
Chattanooga, TN 37409

Dear Phil,

It was good to hear from you and to learn that you are getting settled into retirement. I know you haven't stopped working. You have only channeled your effort in a different direction. I hope your retirement will be as enjoyable as ours has been.

When you make your trip to NC please arrange to stop here at our house. We have room to put you up. If you can let us know in time we can invite other members of the Upchurch family as well. We live at 121 Ochs Highway which is the road to several tourist attractions on Lookout Mountain. Our phone no. is (615) 821-3802.

I'm sorry to report that Uncle Ralph Upchurch who is 92 is to undergo surgery today. He has arterial blockage somewhere. He is in Birmingham, AL and we just heard of this yesterday.

Let's pray that he will survive  
the surgery and fully recover.

We have a few additions and  
changes to the family to report. I'll  
try to get the data together and give it  
to you when you come, or I'll send it  
to you if you can't come.  
Hope you have success in your  
farming operation.

Sincerely  
Paul Johnson

JAMES PAUL JOHNSON

XFD-9763

MICHAEL ENTERPRISES  
P. O. BOX 387  
Wentzville, MO 63385



4 JAN 1994

J. PAUL JOHNSON

PO BOX 2125

CHATTANOOGA, TN 37409

Dear Cousin Jay,

Thanks for your renewal on the U B  
for 1995 and for your generous donation of  
\$35.00 to the research fund. The donations are  
very useful to help fund the Ransome  
work on our heritage in England.

Everyday our lines are getting in better  
order. yesterday we got license plates for the  
cars. Today I go into the city for lunch with  
my son. Tomorrow I spend the day out  
on the farm (but inside work).

Our tentative plans call for me to drive  
from MO to NC & back in the last half of  
May. I hope we can pass by your way and  
say "hello". If not on this trip - there are another  
All the Best.



Sincerely yours  
Phil Upchurch

[ROBERT PHILIP UPCHURCH]





JAMES PAUL JOHNSON

XFD-7763

MICHAEL ENTERPRISES  
P. O. BOX 35804  
TUCSON, ARIZONA 85740



12 DEC 1993

J. PAUL JOHNSON  
P.O. BOX 2125  
CHATTANOOGA, TN 37409

Dear Cousin Jay,

Many thanks for your renewal on the U.D.  
for 1994 and for your generous donation of  
\$35.00 to the Uphurst Research Fund. Such  
contributions help to purchase reference documents  
which are very helpful in documenting our  
family history.

Our joint efforts continue to be  
very productive with over 200 participants.  
It keeps me busy. In 1994 I plan to retire  
from the University, move to Lake St Louis, MO  
and continue work on genealogy, farming and  
other activities. Sooner or later we will drive  
from MO to NC and pass through Chattanooga  
at which time I hope we can meet.

With deep appreciation for your continued  
interest and support. ☺

Sincerely yours  
Phil Uphurst  
[ROBERT PHILIP UPHURST]



JAMES PAUL JOHNSON  
MICHAEL ENTERPRISES  
P. O. BOX 35804  
TUCSON, ARIZONA 85740

XID-7763

20 DEC 1992

J. PAUL JOHNSON  
P. O. BOX 2125  
CHATTANOOGA, TN 37409

Dear Cousin Jay,

This is just a note to thank you for your renewal on the UB for 1993 and for your generous contribution to the Uphurch Record Fund. Such support helps us to keep our Uphurch heritage project on a more vigorous course.

As you can see from the issues of the UB we continue to make excellent progress on our history project. Each piece of the puzzle we fit into the background makes it easier to get the rest straight.

I hope this finds you and yours well. All the best for the holidays and for a great 1993!



Sincerely yours  
Phil Uphurch

[ROBERT PHILIP UPHURCH]

MICHAEL ENTERPRISES

P. O. BOX 35804

TUCSON, ARIZONA 85740

NOVEMBER 1992

INVOICE

As we begin our 14th year (1993) of publishing the UPCHURCH BULLETIN, we are pleased to have identified some 31,000 individuals linked back to Michael U. I, first immigrant to the USA in 1649 from England. Cost of production and postage has increased but we will continue to offer the 1993 subscription rate of \$15.00 for the 4 issues published. We encourage you to also contribute to the UPCHURCH RESEARCH FUND so that we may collect and publish interesting information, or honor our loved ones. BOUND and UNBOUND issues are available for all back volumes. Give a gift to a relative or a friend. Help preserve our unique Upchurch heritage.

1. Please enter my subscription\* for Vol.14(1993)@ \$15.00. \$ 15.00

2. Please send UNBOUND back volumes @ \$12.00/volume:
\$ 1-1980 2-1981 3-1982 4-1983 5-1984 6-1985 7-1986 8-1987
\$ 9-1988 10-1989 11-1990 12-1991 13-1992
B-4-93

3. Please send BOUND volumes @ \$25.00/volume:
\$ 1-1980 2-1981 3-1982 4-1983 5-1984 6-1985 7-1986 8-1987
\$ 9-1988 10-1989 11-1990 12-1991 13-1992

4. UPCHURCH RESEARCH FUND:
Research \$ 35.00
MEMORIAL GIFT: \$
R.F.P. 1, 93 \$ 35.00

(For Memorial Gift please indicate name of person(s) being honored: (Mother, Father, Brother, Sister, Aunt, Uncle, Child, Grandparents, etc.)

(This will be published in the UPCHURCH BULLETIN)

NAME: RELATIONSHIP

Tried 9 DEC 92 ch# 5525 for 50 mtd 1000
J. Paul Johnson
TOTAL \$ 50.00

Please make check payable to : MICHAEL ENTERPRISES
Mail to: MICHAEL ENTERPRISES, P. O. Box 35804, Tucson, AZ 85740

NAME: J. PAUL JOHNSON
ADDRESS: P.O. Box 2125
CITY: CHATTANOOGA STATE TN ZIP 37409

\*Some reductions available for those on a restricted budget. Write for details.

Gift(s) (Please include payment)
NAME:
ADDRESS:
CITY: STATE ZIP

Im/oz
J Paul Johnson

JAMES PAUL JOHNSON, JR

XFD 1763

MICHAEL ENTERPRISES

P. O. BOX 35804
TUCSON, ARIZONA 85740

NOVEMBER 1991

INVOICE

UPCHURCH BULLETIN, Volume 13, (1992) will be published at the same rate of \$15.00/year. Subscriptions for renewal are requested for the new four issues which will be published. We encourage you to also contribute to the UPCHURCH RESEARCH FUND so that we may collect and publish interesting information, or honor our loved ones. BOUND and UNBOUND issues are available for all back volumes. Give a gift to a relative or a friend.

1. Please enter my subscription\* for Vol.13(1992)@ \$15.00. \$ 15.00

2. Please send UNBOUND back volumes @ \$12.00/volume:
\$ \$ \$ \$ \$ \$ \$
1-1980 2-1981 3-1982 4-1983 5-1984 6-1985 7-1986 8-1987 B-4-92

\$ \$ \$ \$
9-1988 10-1989 11-1990 12-1991 \$

3. Please send BOUND volumes @ \$25.00/volume:
\$ \$ \$ \$ \$ \$ \$
1-1980 2-1981 3-1982 4-1983 5-1984 6-1985 7-1986 8-1987

\$ \$ \$ \$
9-1988 10-1989 11-1990 12-1991 \$

4. UPCHURCH RESEARCH FUND:

Research \$ 35.00
MEMORIAL GIFT: \$ 35.00

(For Memorial Gift please indicate name of person(s) being honored: (Mother, Father, Brother, Sister, Aunt, Uncle, Child, Grandparents, etc.) R.F. #1, 1992

(This will be published in the UPCHURCH BULLETIN)

NAME: RELATIONSHIP

Handwritten notes: Paid 4 DEC 1991 Ch # 4899 for 50 signed 1 DEC Paul Johnson, m/m J. Paul Johnson, TOTAL \$ 50.00

Please make check payable to : MICHAEL ENTERPRISES
Mail to: MICHAEL ENTERPRISES, P. O. Box 35804, Tucson, AZ 85740

NAME: J. Paul Johnson
ADDRESS: P.O. Box 2125 Chattanooga, TN 37409
CITY: STATE ZIP

\*Some reductions available for those on a restricted budget. Write for details.

Gift(s) (Please include payment)
NAME:
ADDRESS:
CITY: STATE ZIP

JAMES PAUL JOHNSON, JR  
MICHAEL ENTERPRISES  
P. O. BOX 35804  
TUCSON, ARIZONA 85740

XID-7763

8 DEC 1991

J. PAUL JOHNSON  
P. O. BOX 2125  
CHATTANOOGA, TN 37409

Dear Cousin Jay,

This is just a note to thank you for your renewal on the U B for '92 and for your generous donations of \$35.00 to the Upchurch Research Fund. This money is put to good use for books, placing the U B in libraries, etc.

Jay, enclosed is a draft of a document "The Michael Enterprises Family History System" dated 10 DEC 91. Would you please look this over and let me know if you have any suggestions for improvement. I get requests for this sort of thing from time to time and may publish it in the U B in due course.

Please accept my best wishes for a Merry Christmas!

Sincerely yours  
Phil Upchurch

[ROBERT PHILLIP UPCHURCH]

JAMES PAUL JOHNSON, JR XFD-7763

1 DEC 1990

J PAUL JOHNSON  
P.O. BOX 2125  
CHATTANOOGA, TN 37409

Dear Cousin Jay,

Thanks for your renewal on the UB  
for 1991 and for your contribution to the  
Upchurch Research Fund. Encouragement of  
all types are needed and much appreciated.

It hardly seems possible that a  
year has passed since we met in Atlanta  
at the Upchurch Festival. When we are busy  
time flies.

I have just received a nice note  
from Thomas Ralph H of Birmingham. He  
is really a nice person. Perhaps I'll get to  
meet him one day.

I hope this finds you and yours  
in good health and looking forward  
to the Holiday Season and to the New Year.

Sincerely yours  
Phil Upchurch

[ROBERT PHILIP UPCHURCH]

JAMES PAUL JOHNSON, JR XID-7763

MICHAEL ENTERPRISES

P. O. BOX 35804
TUCSON, ARIZONA 85740

NOVEMBER 1990

INVOICE

UPCHURCH BULLETIN, Volume 12 (1991) will be published at the same rate of \$15.00 per year. Subscriptions for renewal are requested for the new four issues which will be published. We encourage you to also contribute to the UPCHURCH RESEARCH FUND so that we may collect and publish interesting information, or honor our loved ones. BOUND and UNBOUND issues are available on all back issues. Give a gift to a relative or a friend.

- 1. Please enter my subscription\* to the UPCHURCH BULLETIN VOLUME 12 (1991) @ \$15.00.
2. Please send back UNBOUND volumes @ \$12.00 per volume

\$15.00

B-1-91

Volume: \$ 1-1980 \$ 2-1981 \$ 3-1982 \$ 4-1983 \$ 5-1984

\$ 6-1985 \$ 7-1986 \$ 8-1987 \$ 9-1988 \$ 10-1989 \$ 11-1990 \$

- 3. Please send BOUND volumes @ \$25.00 per volume

Volume: \$ 1-1980 \$ 2-1981 \$ 3-1982 \$ 4-1983 \$ 5-1984

\$ 6-1985 \$ 7-1986 \$ 8-1987 \$ 9-1988 \$ 10-1989 \$ 11-1990 \$

- 4. UPCHURCH RESEARCH FUND:

Research: \$ 35.00

MEMORIAL GIFT: \$

(For memorial gifts please indicate name of person(s) being memorialized: (Mother, Father, Brother, Sister, Aunt, Uncle, Child, Grandparents, etc.).

(This will be published in the UPCHURCH BULLETIN)

NAME: RELATIONSHIP

\$35.00

R.F.D. 1, 1991

Rec'd 29 NOV 1990 ch # 4226 for \$150 signed 25 NOV J. Paul Johnson
T.M./M J. Paul Johnson, P.O. Box 2125 Chattanooga, TN 37409

TOTAL

\$50.00

Make check payable to: MICHAEL ENTERPRISES.

Mail to: MICHAEL ENTERPRISES, P. O. Box 35804, Tucson, AZ 85740

NAME:
ADDRESS:
CITY: STATE ZIP

Gift(s) (Payment included above).

Send to:

NAME:
ADDRESS:
CITY: STATE ZIP

\*A few subscriptions are available for those on a restricted budget. Please write for details.



JAMES PAUL JOHNSON, JR

XFD-7763

25 NOV 1989

J. PAUL JOHNSON  
P.O. BOX 2125  
CHATTANOOGA, TN 37409

Dear Cousin Jay,

This is just a note to thank you for your renewal on the U B for 1990 and for your generous contribution to the Uphurch Research Fund. Money helps to move the cause along.

A week from Friday we will be leaving for our long-planned trip to the East - including the Georgia Uphurch lecture on Sat. night on 9 DEC. Why don't you take a holiday and drive down? I would enjoy meeting you.

Thanks for all you do to promote the Uphurch Family Heritage. It is a joy to have so many participants. How a Merry Christmas.

Sincerely yours  
Phil Uphurch

[ROBERT PHILLIP UPHURCH]

JAMES PAUL JOHNSON, JR

XED-7763

MICHAEL ENTERPRISES

P. O. BOX 35804
TUCSON, ARIZONA 85740

NOVEMBER 1989

INVOICE

UPCHURCH BULLETIN, Volume 11 (1990) will be published at the same rate of \$15.00 per year. Subscriptions for renewal are requested for the new four issues which will be published. We encourage you to also contribute to the UPCHURCH RESEARCH FUND so that we may collect and publish interesting information, or honor our loved ones. BOUND and UNBOUND issues are available on all back issues. Give a gift to a relative or a friend.

1. Please enter my subscription\* to the UPCHURCH BULLETIN 1990 (Vol. 11) @ \$15.00.

\$ 15.00 - B.2.90

2. Please send back UNBOUND volumes @ \$12.00 per volume

Handwritten notes: Rec'd 18 NOV 89 Ch #3560 for \$50 signed 12 NOV J. Paul Johnson. M/M J. Paul Johnson

Volume: 1-1980 2-1981 3-1982 4-1983 5-1984

6-1985 7-1986 8-1987 9-1988 10-1989

3. Please send BOUND volumes @ \$25.00 per volume

Volume: 1-1980 2-1981 3-1982 4-1983 5-1984

6-1985 7-1986 8-1987 9-1988 10-1989

4. UPCHURCH RESEARCH FUND:

Research: \$ 35.00 A

MEMORIAL GIFT: \$

\$ 35.00 R.F. 2.90

(For memorial gifts please indicate name of person(s) being memorialized: (Mother, Father, Brother, Sister, Aunt, Uncle, Child, Grandparents, etc.).

(This will be published in the UPCHURCH BULLETIN)

NAME: RELATIONSHIP

TOTAL

\$ 50.00

Make check payable to: MICHAEL ENTERPRISES.

Mail to: MICHAEL ENTERPRISES, P. O. Box 35804, Tucson, AZ 85740

NAME: J. PAUL JOHNSON

ADDRESS: P.O. Box 2125

CITY: CHATTANOOGA STATE TN ZIP 37409

Gift(s) (Payment included above).

Send to:

NAME:

ADDRESS:

CITY: STATE ZIP

\*A few subscriptions are available for those on a restricted budget. Please write for details.

JAMES PAUL JOHNSON, JR. AFD-7763

①

29 DEC 1988

J. PAUL JOHNSON  
P.O. BOX 2175  
CHATTANOOGA, TN 37409

Dear Cousin J.

Thanks for your nice letter of 21 DEC 1988 and for all of the details. I have just finished extracting all of the information. You asked how I get so much done - well it is a combination of circumstances. I am healthy, inherited a strong drive to do something, was raised in a "poor" setting which gave me incentives to do better and I have a wonderful wife and have been fortunate in many ways - there are just a few of the aspects - and yet I would like to do even more with my life. In any case I woke up at 3:50 AM today excited and ready to go - forced myself to stay in bed till 4:00 AM when I got up and worked on finished extracting your letter at 6:40 AM. Thanks for your interest. Life is exciting + full of opportunity.

We are getting down to a very few missing items on the family of Rosa May (Upchurch) Johnson except for the niece of Thomas Allen Johnson and as you say we may never have these details. In any case I have summarized what is missing on the Rosa May (Upchurch) Johnson family on the two enclosed sheets. Any details you have or can get will be appreciated.

I am anxious to give some attention to the families of your aunts and uncle's sister and brother (your mother). We already have good rough outlines on these but need to fill in some missing parts and update these outlines. If I summarized what is missing on each of these groups could you help me figure out how to proceed? Perhaps you could take these to the next reunion or perhaps you would have some of the missing details already or perhaps we could encourage some of the cousins to become more active in helping.

It is always good to hear from you.

I hope you and yours are doing well and that 1989 will be good to you.

Sincerely yours  
 Phil Upchurch  
 {ROBERT PHILIP UPCHURCH}

MISSING DETAILS ON THE FAMILY  
OF ROSA MAY (WRENCH) JOHNSON

③  
29 DEC 88

- 1) For Rosa May Wrench - All OK
- 2) For Bernard Paul (Johnson) Watson & Family - All OK
- 3) For Corrie Helen (Johnson) Miller & Family - All OK
- 4) For James Paul Johnson, Jr & Family
  - a) For the name of Thomas Allen Johnson:
    - i) when in 1967 did he marry Sandra Head, what is her full maiden name and when & where was she born?
    - ii) when in 1965 did he marry Bobbie Stapler, what is her full maiden name and when & where was she born?
    - iii) when in 1969 did he marry Betty Ruth Maynes?
    - iv) when in 1975 did he marry Carol Allen, what is her full maiden name and when & where was she born?
    - v) when in 1981 did he marry Kathy Nemer, what is her full maiden name and when & where was she born?
    - vi) when in 1982 and where did he marry Bonnie Crawford, what is her full maiden name & when & where was she born?
    - vii) when in 1983 and where did he marry Jacqueline Fair, what is her full maiden name and when and where was she born?
    - viii) when in 1984 did he marry Cynthia A. White Googe, what is her full maiden name and when & where was she born?
  - b) For the children of Thomas Allen Johnson:
    - 1) Is Brian Keith Johnson still single?
    - ii) Does J'PAUL Johnson have a 2nd first name?
  - c) where in West Virginia was Robert Merle Reynolds born?

- 5) For Bobby Ruth (Johnson) Demmer & Family
- a) where in Missouri did ~~Edward~~ Edward Kennel & Demmer, Jr. die?
  - b) when did Jay Wallace Demmer marry?
- 6) For Margaret Anne (Johnson) Hamer & Family
- a) what is the full name of Zachery Hamer and when in 1988 was he born?
  - b) For the husbands of Kelly Elizabeth Hamer:
    - i) when & where did she marry Michael Raymond Haynes and when & where was he born?
    - ii) where was Ronald Craig Hamer born?
    - iii) when & where did she marry Michael Harry Grambell, when & where was he born, when & where did he die and where in FL is he buried?
    - iv) no questions for #4 Phillip Dwayne Lupo.
    - v) where did she marry Jeffery Lynn Knox and where was he born? (I have EASLE, SC - but not sure if that is his birth place or their marriage place)

JAMES PAUL JOHNSON, JR.

XID-2763

Dec 21, 1988

REC'D  
27 DEC 1988

J. PAUL JOHNSON  
P.O. BOX 2125  
CHATTANOOGA, TN 37409

Dear Phil,

I want to thank you for all you do on the Upchurch Bulletin and for making it interesting. How do you have time to correspond to so many people, publish the U.B. and carry on your work at the University? Please excuse me for taking so long to answer your letter.

We were unable to attend this year's Upchurch Reunion in Carroll County, Ga. I had planned to get answers to your questions about our family at the reunion, but of course I did not. I have heard nothing from the gathering and can't report on it.

I have noted answers to your questions in the margins of your letter. I will continue to pursue your questions and will relay the information to you.

I wish you and your family a merry Christmas and a good & new year.

Paul Johnson

MISSING DETAILS ON THE FAMILY 9 APR 1988  
 OF ROSA MAY (UPCHURCH) JOHNSON ②

- Δ 1) For Bonnylyn Paul (Johnson) Watson  
 Δ a) Is Robert Bernard Watson still living? yes  
 - b) Did she have just two children? yes
- Δ 2) For Linda Paige Watson  
 Δ a) where did Linda Kim Cairnes marry? Springville, Ala  
 Δ b) when and where was Johnny Ray Johnston born? Dallas, TX  
 Δ c) where was Terri Rae Johnston born? B'ham, Ala.  
 - d) Did she have just three children? yes  
 - e) Are her 2nd & 3rd children still single? yes
- Δ 3) For Kirby Merrell Watson  
 - a) Did she have just three children? yes  
 Δ b) where was Robert Winston Reid born? Birmingham
- Δ 4) For Carrie Helen (Johnson) Miller  
 - a) Did she have just three children? yes  
 - b) Is she still living? yes  
 - c) Is her husband still living? yes
- Δ 5) For James Weaver Miller, Jr → b'd 8-16-80  
 Δ a) Is his son still single? yes
- Δ 6) For Karen Lynn Miller  
 - a) Does she have just three children? yes  
 - b) Are all of her children still single? yes
- Δ 7) For John Paul Miller  
 - a) when and where did he marry 8-24-83  
 Carrollton, La  
 Δ b) what is the full maiden name of Laura May Ellen  
 and where was she born? (Minneapolis Minn)  
 - c) Does he have any children? No
- 8) For James Paul Johnson, Jr  
 - a) Did you have just three children  
 - (all adopted) yes



Δ 9) For Thomas Allen Johnson

- a) where is Monte Vista Burial Park? Johnson City, Tenn.
- b) Need exact marriage dates and place for the 1<sup>st</sup> marriage and the full maiden names and birth dates and place for the 2<sup>nd</sup> spouse
- where not present in the following list:

Will probably never know for sure

- 1. 1962 (Tuscomba, AL) Brenda Head
- 2. 1965 (Liberty, GA) Bobby Staples
- 3. 1969 (McCall, SC) Betty Ruth Maynor  
- b. 24 AUG 1947 (McCall, SC)
- 4. 1975 (Chapayetta, GA) Carol Allen
- 5. 1981 (Centre, AL) Kathy Norrie
- 6. 1982 ( ) Bonnie Crawford
- 7. 1983 ( ) Jacqueline Fair White
- 8. 1984 (Johnson City, Tenn) Cynthia A. R. Googe

- c) Need details on children or fellows:

- Δ i.) where was Brian Keith Johnson born and is he still single? Atlanta, Ga. Don't know if Md.
- ii.) Teri Lynn Maynor - No questions
- iii.) John Paul Maynor - No questions. Johnson City, Tenn.
- Δ iv.) Jo Paul Johnson - where was he born? and what does the "J" stand for?

Jo Paul (The apostrophe makes this one word.)

- d) Did he have just few children? yes

Δ 10) For Mary Sue Johnson

- a) Does she have just two children? yes
- b) where in VA was Robert Merle Reynolds born? Don't know

Δ 11) For Robert Smith Johnson

- a) Does he have just one child? yes

Δ 12) For Betty Ruth Johnson

- a) where in Mo. did Edward Kenneth Dennis, Jr die? Don't know
- b) when did Jay Wallace Dennis marry? Don't know
- c) Does she still have just one grandchild? yes

Δ13) For Margaret Anne Johnson

- a) Does she have just two children? yes
- b) Has she remarried? no

Δ14) For Max Paul Harris

- Δ a) Does he have just one child? He has two sons. Charlie <sup>(born this summer)</sup> and Zachery
- b) where did he marry? Greenville, S.C. <sup>Still married to same wife</sup>
- Δ c) Has he remarried? Greenville S.C.
- Δ d) where was Max Charles Harris born? Greenville S.C. (Date?)
- Δ e) Zachery Harris born in Greenville S.C. (Date?)

Δ15) For Kelly Elizabeth Harris

- a) Does she have just two children? yes
- b) Did she marry just five times? yes
- c) when & where did she marry Michael Raymond Haynes and when & where was he born? Don't know
- d) where was Ronald Craig Emond born? "
- Δ e) when & where did she marry Michael Harry Grambell, when & where was he born, when and where did he die and where buried? Florida
- Δ f) where did she marry Phillip Duwaya Lupo? Arkansas
- Δ g) when & where did she marry Jeffery Lynn Knox and when & where was he born? Eastley SC MD (10-26-86) (2-27-1956)
- Δ h) where was her son Stephen Raymond Haynes born? Greenville, SC

Δ16) For Rosa May (Upchurch) Johnson

- a) Did she have just five children? yes

JAMES PAUL JOHNSON, JR XID-7763

2 DEC 1988

MR J PAUL JOHNSON  
P.O. BOX 2125  
CHATTANOOGA, TN 37409

Dear J  
your reminder for the UO for 1989 is appreciated  
as is your donation to the Lynchburg Research Fund.  
I mention conference I came in at a good price.  
Several aspects of the Charles U class to which  
you belong are unfolding nicely. We are  
finally getting some good input on Thomas  
Gay U, Jr. In fact his picture is in the  
issue that we are about to mail out. It  
is more faint than I would like but still  
great. Also details on Eaton U, a brother  
of Thomas Gay U, Jr has surfaced. I am in  
contact with a descendant of Eaton U! It  
is amazing how much we are still able  
to learn.

Your support and encouragement means  
a lot to me. Let me hear from you from  
time to time

Sincerely yours  
Phil Upchurch

{ROBERT PHILLIP UPCHURCH}

JAMES PAUL THOMPSON, JR. XIR 7763

**MICHAEL ENTERPRISES**  
P. O. BOX 35804  
TUCSON, ARIZONA 85740

November 1988

**I N V O I C E**

Now is the time to subscribe to the 1989 (Volume 10) issues of UPCHURCH BULLETIN so the publication can come to you without interruption. We continue to charge \$15.00 per year for the four issues. Financial contributions to the UPCHURCH RESEARCH FUND are encouraged so that we may collect and publish interesting information on our family. BOUND AND UNBOUND issues are available for the years 1980-1988 and may be ordered on this form. Also, think of giving the UPCHURCH BULLETIN to a relative or friend as a gift.

1. Please enter my subscription\* to the UPCHURCH BULLETIN for 1989 (Volume 10) for which I enclose \$15.00.  
Please send me back UNBOUND volumes of the UPCHURCH BULLETIN for which I enclose \$12.00 for each year desired:

VOLUME: 1-1980	( \$ )	6-1985	( \$ )
2-1981	( \$ )	7-1986	( \$ )
3-1982	( \$ )	8-1987	( \$ )
4-1983	( \$ )	9-1988	( \$ )
5-1984	( \$ )		

Rec'd 28 NOV 88 Ch # 2 896 for  
50 amount 24 NOV 88 Paul  
Johnson  
Jm/m & Paul Johnson

\$ 15.00  
B-189

3. Please send me back BOUND volumes of the UPCHURCH BULLETIN for which I enclose \$25.00 for each year desired:  
Total enclosed for UNBOUND \$

VOLUME: 1-1980	( \$ )	6-1985	( \$ )
2-1981	( \$ )	7-1986	( \$ )
3-1982	( \$ )	8-1987	( \$ )
4-1983	( \$ )	9-1988	( \$ )
5-1984	( \$ )		

4. Please accept the extra sum of money enclosed for the UPCHURCH RESEARCH FUND. If this is a MEMORIAL GIFT please indicate the name of person(s) being memorialized: (Mother, Father, Brother, Sister, Aunt, Uncle, Child, Grandparents, etc.).  
NAME: \_\_\_\_\_  
RELATIONSHIP: \_\_\_\_\_  
(This will be published in the UPCHURCH BULLETIN.)  
Total enclosed for BOUND \$ 35.00  
R.F. #1, 1989

Make check payable to: MICHAEL ENTERPRISES.  
Mail to: MICHAEL ENTERPRISES, P. O. BOX 35804, TUCSON, AZ 85740.  
TOTAL \$ 50.00

Your current mailing address:  
NAME J. Paul Johnson  
ADDRESS P. O. Box 2125  
Chattanooga, TN 37409  
CITY \_\_\_\_\_  
STATE \_\_\_\_\_  
ZIP \_\_\_\_\_

GIFT(s): (Payment included above).  
Sent to: \_\_\_\_\_  
NAME \_\_\_\_\_  
ADDRESS \_\_\_\_\_  
CITY \_\_\_\_\_  
STATE \_\_\_\_\_  
ZIP \_\_\_\_\_

\*A few subscriptions are available at a reduced rate for those on a restricted or severely restricted budget. Please write for details.

JAMES PAUL JOHNSON, JR XFD-7763

①

10 APR 1988

MR J. PAUL JOHNSON  
P.O. BOX 2125  
CHATTANOOGA, TN 37409

Dear J.

Thank you for your most informative letter of 19 MAR 1988 and for all the details. The article on Wayne U & his wife are most interesting. In processing all the details you sent I went a step beyond and worked on some other unprocessed details I had on the Thomas Homer U line sent to me on 20 FEB 1981 by your Uncle Ralph. I believe you prepared the document on "The Family of Thomas Homer U." It was really helpful and is now completely processed.

I was sorry to hear about the loss of your son. He obviously marched to the beat of a different drummer. Let us hope that he has now found peace.

The entire Thomas Homer U line is shaping up beautifully. I have prepared a three page document, a copy of which is enclosed, on which is missing for the Rosa May U Family. Perhaps you have or can get some of the answers. If you think it useful I could prepare similar

documents for the other children of Thomas <sup>(2)</sup>  
Homer U. Perhaps copies could be given to  
individuals at the reunion next fall. I'll  
be glad to do whatever I can to stimulate  
the flow of information. I'll be glad to  
provide copies of the outline if and when  
they can be useful.

There was one part of the Thomas Homer U  
Family Outline I did not understand. It shows  
that Vicki U b 3 FEB 1951 and Roy J. Fuller b 21 JUN  
1951 and that they had 3 children

1. Rodney J. Cleveland b 23 FEB 1967
2. Brian Cleveland b 20 JUL 1971
3. Ronald Cleveland b 5 DEC 1972.

I do not see how this can be. Perhaps you  
have an explanation.

It is always good to hear from  
you and to have your interest  
in the Upshur Family.

Sincerely yours  
Phil Upshur

{ROBERT PHILIP UPSHUR}

MISSING DETAILS ON THE FAMILY 9 APR 1988  
OF ROSA MAY (UPCHURCH) JOHNSON (3)

1) For Bonnylyn Paul (Johnson) Watson

- a) Is Robert Bernard Watson still living?
- b) Did she have just two children?

2) For Linda Paige Watson

- a) where did Linda Kim Cairnes marry?
- b) when and where was Johnny Ray Johnston born?
- c) where was Terri Rae Johnston born?
- d) Did she have just three children?
- e) Are her 2nd & 3rd children still single?

3) For Kirby Merrell Watson

- a) Did she have just three children?
- b) where was Robert Winston Reid born?

4) For Carrie Helen (Johnson) Miller

- a) Did she have just three children?
- b) Is she still living?
- c) Is her husband still living?

5) For James Weaver Miller, Jr

- a) Is his son still single?

6) For Karen Lynn Miller

- a) Does she have just three children?
- b) Are all of her children still single?

7) For John Paul Miller

- a) when and where did he marry
- b) what is the full maiden name of Laura May and where was she born?
- c) Does he have any children?

8) For James Paul Johnson, Jr

- a) Did you have just three children  
(all adopted)

9) For Thomas Allen Johnson

a) where is Monte Vista Burial Park?

b) Need exact marriage dates and places for the 7 marriages and the full maiden names and birth dates and places for the seven spouses where not present in the following list:

1. 1962 (Tuscomba, AL) Brenda Head
2. 1965 (Liburn, GA) Bobby Staples
3. 1969 (McColl, SC) Betty Ruth Maynor  
b. 24406 1947 (McColl, SC)
4. 1975 (Chafayette, GA) Carol Allen
5. 1981 (Centre, AL) Kathy Nowie
6. 1982 ( ) Bonnie Crawford
7. ( ) Jacqueline Fair
8. ( ) Cynthia A. Googe

c) Need details on children or fellows:

- i) where was Brian Keith Johnson born and is he still single?
- ii) Terri Lynn Maynor - no questions
- iii) John Paul Maynor - no questions
- iv) J. Paul Johnson - where was he born? and what does the "J" stand for?

d) Did he have just four children?

10) For Mary Sue Johnson

a) Does she have just two children?

b) where in VA was Robert Merle Reynolds born?

11) For Robert Smith Johnson

a) Does he have just one child?

12) For Bobby Ruth Johnson

a) where in MO did Edward Kenneth Dennis, Jr die?

b) when did Jay Wallace Dennis marry?

c) Does she still have just one grandchild?



13) For Margaret Anne Johnson  
a) Does she have just one child?  
b) How she remarried?

14) For Mary Paul Harris  
a) Does he have just one child?  
b) Where did he marry?  
c) Was he remarried?  
d) Where was Mary Charles Harris born?

15) For Kelly Elizabeth Harris  
a) Does she have just one child?  
b) Did she marry just one time?  
c) When & where did she marry Michael Raymond?  
d) Where was Ronald Craig Emard born?  
e) Where & when did all many Michael Henry  
Gambell, when & where was he born, when  
and where did she marry?  
f) Where did she marry Philip Dwight Pope?  
g) When & where did she marry John & where was  
he born?  
h) Where was her son Stephen Raymond Hayes born?

16) For Rosa Mary (Upkurch) Johnson  
a) Did she have just one child?

JAMES PAUL JOHNSON, JR X10-7763

12 DEC 1987

J PAUL JOHNSON  
P O BOX 2125  
CHATTANOOGA, TN 37409

Dear Cousin Jay,

This is just a note to thank you for your renewal on your subscription for the U B for 1988 and for your contribution to the Upchurch Research Fund in a memorial to your father. Contributions help us to make more progress on the Upchurch heritage project than would otherwise be the case. I am grateful for your support and encouragement.

With best wishes for a joyous Christmas and a Great New Year!

Sincerely yours  
Phil Upchurch

[ROBERT PHILLIP UPCHURCH]

JAMES PAUL JOHNSON, JR XFD-7763

MICHAEL ENTERPRISES

P. O. BOX 35804
TUCSON, ARIZONA 85740

1 November 1987

INVOICE

It is time to subscribe to the 1988 (Volume 9) issues of UPCHURCH BULLETIN so the publication can come to you in the year ahead without interruption. The upcoming year is the ninth year of publication. This year we are continuing the annual subscription price at \$15.00 per year for four issues. We urge all those who can afford to do so to make a contribution to the UPCHURCH RESEARCH FUND in order that we may continue to collect and publish interesting information on our family. Bound and unbound issues of the bulletin are available for the years 1980 - 1987 and may be ordered on this form. Also, please think about giving the UPCHURCH BULLETIN to a relative or friend for Christmas or on other occasions.

- 1. Please enter my subscription\* to the UPCHURCH BULLETIN for 1988 (Volume 9) for which I enclose \$15.00.
2. Please send me back unbound volumes of the UPCHURCH BULLETIN for which I enclose \$12.00 for each year desired:

\$ 15.00 B-1-88

Rec'd 30 NOV 1987 Ch# 2227
for 50 signed 16 NOV f.
Paul Johnson

- Volume 1 - 1980
Volume 2 - 1981
Volume 3 - 1982
Volume 4 - 1983
Volume 5 - 1984
Volume 6 - 1985
Volume 7 - 1986
Volume 8 - 1987

Horizontal lines for volume selection

M/M J. Paul Johnson
P.O. Box 2125

- 3. Please send me back bound volumes of the UPCHURCH BULLETIN for which I enclose \$25.00 for each year desired:

Chattanooga, TN 37409
J. Paul Johnson

- Volume 1 - 1980
Volume 2 - 1981
Volume 3 - 1982
Volume 4 - 1983
Volume 5 - 1984
Volume 6 - 1985
Volume 7 - 1986
Volume 8 - 1987

Horizontal lines for volume selection

(To be bound at end of year) .... Volume 8 - 1987

- 4. Please accept an extra sum of money enclosed for the UPCHURCH RESEARCH FUND. If this is a memorial gift please indicate the name of the person being memorialized (Mother, Father, Brother, Sister, Aunt, Uncle, Child, Grandparents, etc.)

35.00 M.F.P., 1988

NAME: JAMES PAUL JOHNSON RELATION: FATHER
This will be published in the UPCHURCH BULLETIN.

TOTAL \$ 50.00

Make check payable to: MICHAEL ENTERPRISES.
Mail to: MICHAEL ENTERPRISES, P. O. BOX 35804, TUCSON, AZ 85740.

Your current mailing address:
NAME
ADDRESS
CITY STATE ZIP

GIFT(s): (Payment included above).
Sent to:
NAME
ADDRESS
CITY STATE ZIP

\*A few subscriptions are available at a reduced rate for those on a restricted or severely restricted budget. Please write for details.

JAMES PAUL JOHNSON, JR

XID-7763  
①

REC'D  
24 MAR 1988

March 19, 1988

P.O. BOX 2125

CHATTANOOGA, TN 37409

- Dear Phil,
- △ I am sending you a newspaper story about our cousin Wayne → XID-7428  
- Upchurch which I think you will find interesting. Also I am  
□ sending some vital statistics concerning the Thomas H.  
- Upchurch Family. You may already have some of these.
- △ First I must tell you that we lost our son Thomas Allen  
- Johnson on July 7, 1987. He was shot by a brother of his  
△ former wife, Kathy Norris, near Ft. Payne, Alabama. We don't  
- know, and probably no one knows, why the shooting took place.  
- The charge against Norris was murder, but before the trial took  
- place, he was allowed to plead guilty to manslaughter. The  
- District Attorney said it would have been difficult to convict  
- him of murder if he claimed self defense. He has now been  
- sentenced to 10 years without parole.
- △ Following is a list of Tom's wives:
- 1. Brends Head (8392) (divorced)
  - △ + □ 2. Bobbie Staples (8393) (divorced) Son Brian Keith Johnson (b. 10-27-65)
  - + □ 3. Betty Maynor (7774) (divorced) Daughter Terri Lynn Maynor (b. 1-22-70)  
Son John Paul Maynor (b. 3-16-71)
  - 4. Carol Allen (8394) (divorced)
  - △ 5. Kathy Norris (8395) (divorced)
  - 6. Bonnie Crawford (9486) (divorced)
  - △ 7. Jacqueline Fair (divorced)
  - △ + △ 8. Cynthia A. Googe Son J'Paul Johnson (b. 2-14-85)
- △ Correction to marital record of Kelly Elizabeth Harris (8224)  
- Married to:
- △ + △ 1. Michael Raymond Haynes (divorced) Son Stephen Raymond Haynes (b. 9-23-72)
  - 2. Ronald Craig Emond (8226) (divorced)
  - △ 3. Michael Harry Grambell (died accidentally)
  - △ + △ 4. Phillip Dwayne Lupo (8391) (divorced) son Jonathan Phillip Lupo  
(b. 8-12-82)  
Name changed to Jonathan Harris Knox
  - △ 5. Jeffery Lynn Knox (b. 2-27-56)

Died

- Δ Una Clayton Upchurch (5657) on 3-20-86
- Δ George Majka (5659) on 3-6-87

Married

- Δ + Δ Linda Kim Cairnes (8243) to Johnny Ray Johnston on 10-12-86
- Δ + Δ Jon Paul Miller (8233) to Laura May (b. 8-24-62) ?

Born

- Δ Christopher Ryan Upchurch on 3-17-84 to
- + □ Ronald Murray (7434) and Sharon Dodd Upchurch (7447)
- Δ Torri Rae Johnston on 2-14-88 to
- Δ + Δ Linda Kim (8243) and Johnny Ray Johnston
- Δ Max Charles Harris on 6-12-85 to
- Δ + □ Max Paul (8223) and Denise Ann Harris(8225)
- Δ Karri Fuller on 9-5-84 to
- Δ + Δ Vicki U.(5636) and Roy J Fuller
- Δ Maria Ann Puckett on 5-5-84 to
- Δ + Δ Patti Upchurch(5637) and Billy Puckett
- Δ Benjamin Shields Upchurch on 2-16-82 to
- + □ James Shields and Pamela Head Upchurch
- Δ Barbara Suzanne Stogner on 6-22-84 to
- + □ Jo Wynne Rowland and Michael Stogner

*copied  
for  
reunion  
file*

{ We continue to have the Thomas H. Upchurch Family reunion every year on the first Sunday of October. Last year we had about 90 people present.

Continue your good work on the UPCHURCH BULLETIN. We appreciate it.

*Paul Johnson*

JAMES PAUL JOHNSON, JR

XID-7763

MICHAEL ENTERPRISES
P. O. BOX 35804
TUCSON, ARIZONA 85740

1 November 1986

INVOICE

It is now time to subscribe to the 1987 (Volume 8) issues of UPCHURCH BULLETIN so the publication can come to you in the year ahead without interruption. The upcoming year is the eighth year of publication. This year we are continuing the annual subscription price at \$15.00 per year and hope to cover most of our expenses. We urge all those who can afford to do so to make a contribution to the UPCHURCH RESEARCH FUND in order that we may continue to collect and publish interesting information on our family. Bound and unbound issues of the bulletin are available for the years 1980 - 1986 and may be ordered on this form. Also, please think about giving the UPCHURCH BULLETIN to a relative or friend for Christmas or on other occasions.

- 1. Please enter my subscription\* to the UPCHURCH BULLETIN for 1987 (Volume 8) for which I enclose \$15.00.
2. Please send me back unbound volumes of the UPCHURCH BULLETIN for which I enclose \$12.00 for each year desired:

\$ 15.00 B-387

1 Rec'd 1 DEC 86 Ch # 1604
for \$50 signed 24 NOV J. Paul Johnson
T/M/M J. Paul Johnson

- Volume 1 - 1980
Volume 2 - 1981
Volume 3 - 1982
Volume 4 - 1983
Volume 5 - 1984
Volume 6 - 1985
Volume 7 - 1986

- 3. Please send me back bound volumes of the UPCHURCH BULLETIN for which I enclose \$25.00 for each year desired:

- Volume 1 - 1980
Volume 2 - 1981
Volume 3 - 1982
Volume 4 - 1983
Volume 5 - 1984
Volume 6 - 1985
Volume 7 - 1986

- 4. Please accept an extra sum of money enclosed for the UPCHURCH RESEARCH FUND. If this is a memorial gift please indicate the name of the person being memorialized (Mother, Father, Brother, Sister, Aunt, Uncle, Child, Grandparents, etc.)

35.00 MF 2.87

NAME: BONNIE LYN PAUL JOHNSON WATSON RELATION: SISTER

This will be published in the UPCHURCH BULLETIN.

5.79 TOTAL

\$ 50.00

Make check payable to: MICHAEL ENTERPRISES.
Mail to: Michael Enterprises, P. O. Box 35804, Tucson, AZ 85740.

Your current mailing address:
NAME J. PAUL JOHNSON
ADDRESS P.O. Box 2125
CITY CHATTANOOGA STATE TN. ZIP 37409

GIFT(s): (Payment included above).

Sent to:
NAME
ADDRESS
CITY STATE ZIP

\*A few subscriptions are available at a reduced rate for those on a restricted or severely restricted budget. Please write for details.

JAMES PAUL JOHNSON, JR XID-7763

7 DEC 1986

MR J. PAUL JOHNSON  
P.O. BOX 2125  
CHATTANOOGA, TN 37409

Dear J.,

There is just a note to thank you  
for your order for the 1767 U.B. and for  
the generous contribution to the research  
fund on a memorial to your sister.  
Finances for the U.B. are always on the  
ragged edge and the research fund helps  
to keep the information coming in.

You will note from U.B. Vol 7 "4" my  
excitement about the Johnson Family history  
board on descendants of Topley Brumfield  
Johnson Sr who settled in central NC  
before the Revolution. Let me know if  
your Johnson heritage came out of the  
batch.

All the best for a Happy Holiday  
Season.  
Sincerely yours  
Phil Yelovich

{ROBERT PHILIP UPCHURCH

JAMES PAUL JOHNSON, JR XID-7763

MICHAEL ENTERPRISES  
P. O. BOX 35804  
TUCSON, ARIZONA 85740

24 DEC 82

INVOICE

554 Put on B 83  
RPM  
B-1-83

We hope you have enjoyed the 1980, 1981 and 1982 issues of the UPCHURCH BULLETIN. It is now time for you to renew your subscription so that you can receive the four issues to be published in 1983. We intend to follow the format currently in use and will plan on forty pages per issue. The price is being kept at \$10.00 per year. Your prompt renewal will be appreciated.

NOTE

You can still purchase the 1980 (Volume 1), 1981 (Volume 2), and 1982 (Volume 3) issues of UPCHURCH BULLETIN for \$10.00 per volume unbound or for \$20.00 per volume bound.

RENEWAL FORM

UPCHURCH BULLETIN

Date 12-21-82

Please enter my subscription(s) to UPCHURCH BULLETIN - Volume No. 4  
Cost \$10.00/Volume (Volume No. 4 will consist of four issues in 1983).

I enclose \$10.00 for 1 subscription(s) @ \$10.00 each.

Send subscription(s) to: (PLEASE PRINT)

Rec'd 24 DEC 82 - ch #2410 dated  
21 DEC 82 for 10 mg  
J. Paul Johnson  
Tm or Mrs J. Paul Johnson

NAME J. PAUL JOHNSON

ADDRESS P.O. Box 2125

CITY CHATTANOOGA STATE TENN. ZIP 37409

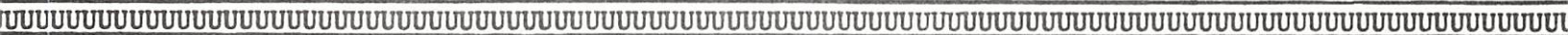
Send payment and make check payable to MICHAEL ENTERPRISES.

MAIL TO: MICHAEL ENTERPRISES  
P. O. BOX 35804  
TUCSON, ARIZONA 85740



JAMES PAUL JOHNSON, JR  
**MICHAEL ENTERPRISES**  
 P. O. BOX 35804  
 TUCSON, ARIZONA 85740

XID-7763



JAN 1984

I N V O I C E

1 December 1983

It is now time to pay for the 1984 (Volume 5) issues of UPCHURCH BULLETIN so the publication can come to you in the year ahead without interruption. The upcoming year is the fifth year of publication and we are maintaining the annual subscription price of \$10.00/year so that as many people as possible can subscribe. We urge that all who can afford to do so make a contribution to the UPCHURCH RESEARCH FUND in order that we may continue to collect and publish interesting information on our family. Bound and unbound issues of the bulletin are available for 1980, 1981, 1982, and 1983 and may be ordered on this form. Also, please think about giving the UPCHURCH BULLETIN to a relative or friend for Christmas or on other occasions.

1. Please renew my subscription to the UPCHURCH BULLETIN for 1984 for which I enclose \$10.00. \$ 10.00

2. Please send me back unbound volumes of the UPCHURCH BULLETIN for which I enclose \$10.00 for each year desired.

Volume 1 - 1980	_____
Volume 2 - 1981	_____
Volume 3 - 1982	_____
Volume 4 - 1983	_____

3. Please send me back bound volumes of the UPCHURCH BULLETIN for which I enclose \$20.00 for each year desired.

Volume 1 - 1980	_____
Volume 2 - 1981	_____
Volume 3 - 1982	_____
Volume 4 - 1983	_____

4. Please accept an extra sum of money enclosed for the UPCHURCH RESEARCH FUND. If this is a memorial gift please indicate the name of the person being memorialized (Mother, Father, Brother, Sister, Aunt, Uncle, Child, Grandparents, etc.). \$ 15.00

Name \_\_\_\_\_

This will be published in the UPCHURCH BULLETIN.

TOTAL \$ 25.00

Make check payable to: Michael Enterprises.  
 Mail to: Michael Enterprises  
 P. O. Box 35804  
 Tucson, Arizona 85740

Rec'd 28 DEC 1983  
 Ch # 3075 for 25  
 signed 20 DEC 1983  
 J. Paul Johnson  
 F. M/M J. Paul Johnson

Your current mailing address:  
 NAME J. PAUL JOHNSON  
 ADDRESS P.O. Box 2125  
 CITY CHATTANOOGA STATE TN ZIP 37409

GIFT(s): (Payment included above).  
 Send to:  
 NAME \_\_\_\_\_  
 ADDRESS \_\_\_\_\_  
 CITY \_\_\_\_\_ STATE \_\_\_\_\_ ZIP \_\_\_\_\_

B-1-84

JAMES PAUL JOHNSON, JR XID-7763

22 DEC 1985

J. PAUL JOHNSON  
P.O. BOX 2125  
CHAATTANOOGA, TN 37409

Dear J.

There is just a note to thank you for your order for U B 86 and for your contribution to the Upchurch Research Fund. All of our efforts and contributions added together help to keep the Upchurch history project vigorous.

Please let me hear from you or you encounter new information about the family.

May 1986 be a healthy and joyous one for you and those close to you.

Sincerely yours  
Phil Upchurch

{ROBERT PHILIP UPCHURCH}

MICHAEL ENTERPRISES

P. O. BOX 35804

TUCSON, ARIZONA 85740

I N V O I C E

25 November 1985

It is now time to pay for the 1986 (Volume 7) issues of UPCHURCH BULLETIN so the publication can come to you in the year ahead without interruption. The upcoming year is the seventh year of publication. Due to the increase in printing costs we last year had to increase our price but this year we are continuing the annual subscription price at \$15.00 per year and hope to cover most of our expenses. We urge all those who can afford to do so to make a contribution to the UPCHURCH RESEARCH FUND in order that we may continue to collect and publish interesting information on our family. Bound and unbound issues of the bulletin are available for 1980, 1981, 1982, 1983, 1984, and 1985, and may be ordered on this form. Also, please think about giving the UPCHURCH BULLETIN to a relative or friend for Christmas or on other occasions.

- 1. Please enter my subscription\* to the UPCHURCH BULLETIN for 1986 (Volume 7) for which I enclose \$15.00.
2. Please send me back unbound volumes of the UPCHURCH BULLETIN for which I enclose \$12.00 for each year desired.

\$ 15.00 B-286

Rec'd 13 DEC 85 Ch # 980 for 27
Signed 9 DEC J. Paul Johnson
M/M J. Paul Johnson

- Volume 1 - 1980
Volume 2 - 1981
Volume 3 - 1982
Volume 4 - 1983
Volume 5 - 1984
Volume 6 - 1985

Blank lines for marking volume quantities.

- 3. Please send me back bound volumes of the UPCHURCH BULLETIN for which I enclose \$25.00 for each year desired.

- Volume 1 - 1980
Volume 2 - 1981
Volume 3 - 1982
Volume 4 - 1983
Volume 5 - 1984
Volume 6 - 1985

Blank lines for marking volume quantities.

- 4. Please accept an extra sum of money enclosed for the UPCHURCH RESEARCH FUND. If this is a memorial gift please indicate the name of the person being memorialized (Mother, Father, Brother, Sister, Aunt, Uncle, Child, Grandparents, etc.)

Name: Relation:
This will be published in the UPCHURCH BULLETIN.

12.00 R.F.P.2 86

TOTAL

\$ 27.00

Make check payable to: MICHAEL ENTERPRISES.
Mail to: Michael Enterprises, P. O. Box 35804, Tucson, AZ 85740.

Your current mailing address:

NAME J. Paul Johnson
ADDRESS P. O. Box 2125
CITY Chattanooga, TN 37409

GIFT(s): (Payment included above).

Send to:
NAME
ADDRESS
CITY STATE ZIP

\*A few subscriptions are available at a reduced rate for those on a restricted or severely restricted budget. Please write for details.

JAMES PAUL JOHNSON, JR

XID - 9763

22 DEC 1984

MR J. PAUL JOHNSON  
P.O. BOX 2125  
CHATTANOOGA, TN 37409

Dear Cousin J,

Many thanks for your renewal on the UB  
and for your donation to the Upchurch Research  
Fund as a memorial to Benjamin Johnson  
Watson. The memorial will be reflected in the  
UB in due course. I am encouraged to continue  
aggressive ~~support~~ pursuit of Upchurch history by  
those who help in so many ways.

I have a very nice letter from Ralph U  
documenting the trip to the Confederate battle-  
ground. This includes pictures

All the Best for a Great New Year.

Sincerely Yours  
Phil Upchurch

[ROBERT PHILIP UPCHURCH]

JAMES PAUL JOHNSON

XED-7763

MICHAEL ENTERPRISES

P. O. BOX 35804
TUCSON, ARIZONA 85740

INVOICE

20 November 1984

It is now time to pay for the 1985 (Volume 6) issues of UPCHURCH BULLETIN so the publication can come to you in the year ahead without interruption. The upcoming year is the sixth year of publication. Due to the increase in printing costs we must regrettably increase our annual subscription price to \$15.00 per year to cover expenses. We urge all those who can afford to do so to make a contribution to the UPCHURCH RESEARCH FUND in order that we may continue to collect and publish interesting information on our family. Bound and unbound issues of the bulletin are available for 1980, 1981, 1982, 1983 and 1984, and may be ordered on this form. Also, please think about giving the UPCHURCH BULLETIN to a relative or friend for Christmas or on other occasions.

- 1. Please renew my subscription\* to the UPCHURCH BULLETIN for 1985 for which I enclose \$15.00.
2. Please send me back unbound volumes of the UPCHURCH BULLETIN for which I enclose \$12.00 for each year desired.

\$ 15.00 B-2-85

Rec'd 8 DEC 84 Ch # 263 for 40
signed 5 DEC 84 J. Paul Johnson
fm/m J. Paul Johnson

- Volume 1 - 1980
Volume 2 - 1981
Volume 3 - 1982
Volume 4 - 1983
Volume 5 - 1984

- 3. Please send me back bound volumes of the UPCHURCH BULLETIN for which I enclose \$25.00 for each year desired.

- Volume 1 - 1980
Volume 2 - 1981
Volume 3 - 1982
Volume 4 - 1983
Volume 5 - 1984

- 4. Please accept an extra sum of money enclosed for the UPCHURCH RESEARCH FUND. If this is a memorial gift please indicate the name of the person being memorialized (Mother, Father, Brother, Sister, Aunt, Uncle, Child, Grandparents, etc.)

25.00 B-1-85

Name: BONNILYN JOHNSON WATSON Relation: SISTER
This will be published in the UPCHURCH BULLETIN.

XED 4579

TOTAL \$ 40.00

Make check payable to: MICHAEL ENTERPRISES
Mail to: Michael Enterprises, P. O. Box 35804, Tucson, AZ 85740.

Your current mailing address:

NAME J. Paul Johnson
ADDRESS P. O. Box 2125
CITY Chattanooga, TN 37409 Z.P.

GIFT(s): (Payment included above).

Send to:
NAME
ADDRESS
CITY STATE ZIP

\*A few subscriptions are available at a reduced rate for those on a restricted or severely restricted budget. Please write for details.

JAMES PAUL JOHNSON

XFD-7763

1 JAN 1984

MR J. PAUL JOHNSON  
P.O. BOX 2125  
CHATTANOOGA, TN 37409

Dear J -

Just a note to say I got your renewal for U B 84 and your contribution to the Upchurch Research Fund. Every input helps and is appreciated.

With support from the Research Fund I am contracting with a researcher to generate a listing of all Upchurch throughout the US that appeared on the 1850 census. Just last week I got the first installment on the researcher report and it looks quite good.

In previous correspondence you mentioned that you and Ralph planned to go to ~~Atlanta~~ Knoxville to look for gravestones and you were making the trip? Let me know the results when you do.

All the best to you and yours for a great 1984.

Sincerely yours  
Phil Upchurch  
{ ROBERT PHILIP UPCHURCH }

JAMES PAUL JOHNSON, JR  
XID-7263

May 3, 1983

Rec'd  
5-6-83  
#1002/Hub  
memo

Dear Paul,

Just a note to let you know  
that we appreciate the work you  
are doing. The outline of the Sherman  
Way Workshop's family was well received  
here.

We have not been to Knoxville yet  
but hope to make the trip some time  
soon. I am sending \$1000 for the  
research fund.

Please keep up the good work.

All ones,

James Johnson

7263

JAMES PAUL JOHNSON, JR XID-7763

MR J PAUL JOHNSON  
P.O. BOX 2125  
CHATTANOOGA, TN 37409

7 MAY 1983  
5:08 AM

Dear J.

When I came home last night my wife said you will be pleased at the letter on your desk from "a Paul Johnson" and sure enough I was. Thanks for your generous gift of \$100.<sup>00</sup> for the Upchurch Research Fund. It now stands at \$312 with 11 participants.

I'm passing through Salt Lake City recently I talked to our cousin Kay White about locating an experienced researcher in Salt Lake City to do some researching to be paid for out of the Upchurch Research Fund. He is an expert primarily on using the Merriam genealogical system. He has now recommended a person and she charges only \$6.<sup>00</sup> per hour. I am anxious to try her out.

In the last several months I have had some good letter exchanges with your Uncle Ralph. He is very helpful.

Thanks for your encouragement

Sincerely yours  
Phil Upchurch  
[ROBERT PHILIP UPCHURCH]



JAMES PAUL JOHNSON, JR XFD-7763

27 FEB 1983

MR. J. PAUL JOHNSON  
P.O. BOX 2125  
CHATTANOOGA, TN 37409

Dear J -

Just a note to thank you for your letter of 3 FEB 1983. All the details have now been extracted and a note has been sent to Robert Cloud in Kent, WA regarding your pedigree on the path to Brown + Malcolm Wheelock of families. Any more details will be appended.

A note on the Council, Co GA Upchurch reunion for 1983 has been put in the UB Vol 4 No 1. Let me know if additions or corrections to this announcement needs to be made. Vol 4 No 1 has been ready for the printer some time but we have out of lower quality and neither the wife nor I have been able to steal a few minutes to take it to the printer.

The reunion for the reunion arrived and some info has been extracted. It seems to work on it over time. It is good to have this and the form you sent.

Your trip to Knoxville with Uncle Ralph sounds great. Hope you will take pictures or keep me posted. Also if you can get ~~Uncle~~ Uncle Ralph to talk about the old days and record his recollections. This would be great. Congratulations on all your "own" achievements.  
Sincerely yours Phil Upchurch [ROBERT PHELLIP UPCHURCH]

JAMES PAUL JOHNSON, JR

Feb. 8, 1983

XID- 1763

PO BOX 2125  
CHATTANOOGA, TN  
37409

REC'D  
16 FEB 83

Dear Phil,

Please excuse me for taking such a long time to answer your letter of Dec. 27. Several things have taken my time lately. I've volunteered for the Tax Counseling the Elderly Program again this year and have had to attend a tax refresher course sponsored by the IRS, AARP, and NRTA. Also, part of my duties as Auditor of an investment club I belong to require me to prepare the financial statement of Club operations and the partnership tax return. And again I am treasurer of our church, St. Elmo Avenue Baptist Church, and have to prepare the Treasurer's Report and see that the W-2's for church personnel are prepared.

The copy of the minutes of the Upchurch family reunion I promised you in finally on the way. My wife and I were in Carrollton, Ga. early in January and Wilma Upchurch was kind enough to run off a copy for me. I copied the copy for you. You won't be able to read all of it and some of it will not be of interest to you, but you might glean a little additional information from it. It is a lot like a scrap book with newspaper clippings in it.

I'm sending you the personal data forms I mentioned. You may find very little in them. The addressed shown may be out of date in some cases.

Here are answers to some questions you asked:

1. The parents of Horace and Kathleen Upchurch are John William Upchurch and Ruby Ashmore Upchurch. You will find more about this family in the reunion minutes in the year 1951.

2. I've got more work to do to get better addresses but I believe Maynard Upchurch's address is Rt. 7 not Rt 5.

6(a) I don't know when or where Aunt Fannie A. Carpenter was married, but it was likely in Carroll County. William Thomas Carpenter was working as a hired hand on Grandpa's farm when they were married. → [THOMAS HOMER U]

10 Aunt Evie Johnson Upchurch died June 23, 1953.

13 Willa Marlowe Upchurch is still living. She and Abner celebrated their 50th wedding anniversary January 9, 1983.

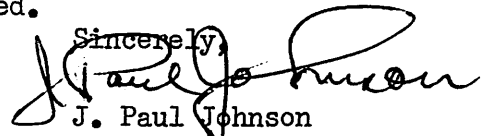
Uncle Ralph Upchurch, who lives in Birmingham, mentioned that he would like to go to Knoxville to see his grandfather's grave site. I am going to do my best to see that he does. I've asked him to visit me here in Chattanooga this spring and then I'll go with him to Knoxville. We'll get all the information we can and relay it to you.

In regard to your letter of January 23 concerning the Ruth U. Brown and Malcolm Wheelock Upchurch families, I have made a good many telephone calls and have not much to report. When the calls came up blank, I went to the library and consulted the City Directories for the past 40 years. I found one listing of James McClure and wife Betty Brown McClure in 1946-7. Evidently they moved out of town after that date. However, I found Malcolm Wheelock Upchurch and wife Margaret Weaver Upchurch in every Directory until 1980. In checking the addresses, I found that until 1952 he lived at 4100 Alabama Avenue which is just across the street from where I am now living. Of course, I didn't live here until 1968. Since he lived in this area quite a long, I was able to find a neighbor who remembered him.

She was able to tell me that Malcolm and his wife moved to Knoxville to be nearer his doctor. Our neighbor knew him as "Peewee" not Malcolm. When I go to Knoxville this spring I will pursue this lead. If I can find him or his wife, I feel sure I can get information on the Betty Brown McClure family.

About the family reunion, You can see that it has not been widely advertised. No invitations are sent out. Family members know it is held on the first Sunday in October and we all go if we can. Of course we heartily welcome all Upchurches and friends to the reunion. We pretty well fill up the fellowship hall where we eat but there is an arbor that will hold three or four hundred if the weather is good. As far as hotel and motel accommodations go, we are only about 8 miles from Carrollton (pop. 25,00) and about an hour's drive from Atlanta. My wife and I drive down from Chattanooga (about 2½ hours). We especially invite you and your family and others who may be interested.

Sincerely,



J. Paul Johnson

JAMES PAUL JOHNSON

XFD - 7763

23 JAN 1983

MR J. PAUL JOHNSON  
P.O. BOX 2125  
CHATTANOOGA, TN 37409

Dear J.

I am stumped as a relative of the Charles U/Thomas  
Gay U in Subclan and wonder if you could make a couple  
of phone calls in the Chattanooga area to gain some  
information. I think saw of the parties still live in  
the Chattanooga area. First a sketch:

Charles U

(- XFD NUMBERS)

↓  
Thomas Gay U 31

↓  
Jethro Wilson U

↓  
Robert U (2100) b 1878 (AL) d 1935 (1156) (Lanier -  
and Fannie Mae Wheelock b - d early 1900's (Lanier - AL)

{NOTE: Robert U left the  
name right after the  
and child were born  
either may be a  
sensitive matter or  
not. - RPA}

↓ (7263)  
Robert Claude U 31  
b 4 JUL 1900  
d. SEP 1944

↓ (7269)  
ROTH U  
b 1904 (Birmingham, AL)  
d ca 1975 (Chattanooga, TN)  
and Harry Brown

↓ (7270)  
Malcolm Wheelock U  
b 1905 (Birmingham, AL)  
and Margaret -  
NO ISSUE

↓  
Betty Brown (7273) an  
only child b 1924 (Chattanooga, TN)  
and James McClure (now a  
retired TWA airline pilot). They  
have 3-4 children in the Chattanooga area

Retired as chief  
of Detectives (?) in  
Chattanooga, TN.

I am in search of the usual details for 7269 & 7270 and their  
families. For 7263 I am OK as I am corresponding with her  
son in Washington State. However, he has no info beyond the  
above on 7269 & 7270. Anything you can get will be appreciated

Sincerely yours, Phil Uhlir [ROBERT PHILLIP UHLIR #]

JAMES PAUL JOHNSON, JR XID-7763  
①

27 DEC 1982

MR. J PAUL JOHNSON  
P.O. BOX 2125  
CHATTANOOGA, TN 37409

Somehow I have found several days to catch up on  
correspondence and I have before me your letters of  
September 16, October 16 and November 6, 1982 for detailed  
comment.

I would like to encourage the concept of Upchurch  
family reunion. Your reunion in Carroll County, GA  
is one of two that I know about. Was the write-up  
in UB Vol 3 #4 OK? Can you give me any advance  
details on the 1983 reunion so I can put it in UB  
or perhaps in JOL 83 to be mailed in early SEP 83  
(perhaps in APR 83 issue to be mailed in early JUN 83). Are  
there minutes nearby and could I have the names  
and address & phone number for a couple of them.  
This might encourage some to come.

You offered to send me the forms you called  
to help fill out your chart. I would be happy to  
have them. Have you had any luck in getting copies  
of the minutes of earlier reunions? (Can some steps  
be taken to have minutes of future meetings? Can  
some steps be taken to have a registration which  
would show full name, address, and name of  
parents. This would help greatly in stimulating  
interest.

Comments p 2

Here are some questions that have surfaced:

- 1) Herace U & Kallileen U, grand children of George B. U. (X±0 3145) attended the reunion on 3 OCT 1982. who are their parents?
- 2) The addresses sent to ~~you~~ me by your letter 6 NOV 82 were mostly already in hand but I have made corrections based on your list - also have now sent the entire list another A B flyers where feasible. Some questions:
  - a) PO returned letter to M/M John C Goldstein? do you have better address?
  - b) PO returned letter to M/M Tony W. Harris } better address?
  - c) M/M James Miller - ~~Box~~ Box should be ~~257 A~~ 270 A not 257 A.
  - d) M/M James S. U Sr - should be 205 Lee St not 105
  - e) Mr Maynard P. U - I have Rt 5 you have Rt 7??
  - f) Do you think Robert B. Watson will still be interested in A B?

- 3) I have written to Virginia Hamrick Berry for more details on her family.
- 4) I have written to John U Upchurch of Paris, TN. I think I know where his line fits in and I hope he will respond.

I am sorry I could not work on the Charles U / Thomas Guy U Sr outline some more before it was published. I had some more details in hand but due to pressure of narrow dates it was impossible to work more on the outline before it was time to print. In due course I hope to cycle back to the narrow dates & subdane and published updated version -

And now here is a list of the items missing for Thomas James U and his children:

- 5) For Thomas James U:
  - a) Full maiden name of Nancy Hoarn
  - b) Full maiden name of Beulah Jeter and when born?

6) Fannie Adlene U

a) when & where married?

b) when in 1750 did William Thomas Carpenter die?

7) For Harry Edward U - complete

8) For Rosa May U - complete

9) For Charles Floyd U - complete

10) For John Shields U

a) Full maiden name of EVIE JOHNSON and date of her death?

b) Full maiden name of JEWEL LASKINS?

11) For William James U - complete

12) For Thomas Ralph U - complete

13) For Joseph Adness U

a) Is William Markham the complete maiden name?  
 I know he is still living.

14) For Maynard Parks U - complete

15) For Daniel Stanley U - complete

Of course there are more details needed on the descendants of the children of Thomas Homer U and I trust you will keep collecting. I still have more details to record on 3 of the families.

I think it is great that you have gotten some more details on William Baynes U. Do you know if the 1600 people are buried in a mass grave? Is there a marker of any sort for the group or for the individuals? Do you have a copy of anything you could send me? For them we are missing.

16) →

a) Exact date of birth in 1830?

b) Exact place of birth in GA?

c) Date & place of marriage?

d) Place of birth & death for Nancy Matilda Copeland?

All the Best for  
 the New Year!  
 Sincerely yours  
 Phil Phillip  
 [ROBERT PHILIP  
 WPC#HCK#]

JAMES PAUL JOHNSON, JR

XFD-7763

Nov. 4, 1982

P. O. BOX 2125  
CHATTAHOOGA, TN 37409

REC'D  
10 NOV 1982

Dear Phil,

- Here are some addresses of members
- of the Thomas Homer Upchurch family.
- I thought you had this list as it
- was a part of the family chart I
- prepared in 1980.

- I am sending you <sup>[WILLIAM JEFFHA LOUVORN]</sup> a copy of a write-up <sup>← Filed with</sup>
- △ about W. J. Lovorn who was married to
- △ my grandfather's sister, Mattie. The write-
- up was taken from "A History of the Polk
- County (Georgia) Missionary Baptist Association".
- 
- △ I obtained the copy from Virginia Hamrick
- Berry who is a granddaughter of Uncle Jeff
- and Aunt Mattie.

- I know you are busy, but keep up

- the good work.

- As ever,

- Paul Johnson

- 1m AF { Δ Mr. & Mrs. Carson N. Cairnes  
~~924 South 42nd Street~~ *1120 Sundial Circle*  
Birmingham, Alabama ~~35222~~ *35215*
- 1m AF { Δ Mr. & Mrs. Robert M. Carpenter  
2386 Johnson Ferry Road  
Chamblee, Georgia 30341
- 1m AF { Δ Mr. & Mrs. Thomas E. Carter  
~~718 Northway~~ *2506 21st Lane*  
~~Baltimore, Maryland 21218~~  
*Yuma, Arizona 85364*
- 1m AF { Δ Mr. & Mrs. Joseph R. Chambers  
255 Richard Way  
Athens, Georgia 30605
- 1m AF { Δ Mrs. E. K. Dennis, Jr.  
3143 N. 48th Street  
Phoenix, Arizona 85018
- 1m AF { Δ Mr. & Mrs. Harold M. Estock  
2224 Hunters Cove  
Birmingham, Alabama 35216
- 1m AF { Δ Mr. & Mrs. Roy J. Fuller  
646 Woodmont Circle  
Anderson, South Carolina 29624
- 1m AF { Δ Mr. & Mrs. Edward H. Gardner  
2601 Alabama Street  
Huntsville, Alabama 35801
- 1m AF { Δ Mr. & Mrs. John G. Goldstein  
U. S. Army *(Returned by PO-RPX)*  
P. O. Box 162  
Carrollton, Georgia 30117
- 1m AF { Δ Mr. & Mrs. Tony W. Harris  
190 Powder Horn Avenue *(Returned by PO-RPX)*  
Birmingham, Alabama ~~34209~~ *34209*
- 1m AF { Δ Mrs. M. Bruce Harris  
~~P. O. Box 641~~ *327 Pinehurst Dr.*  
Mauldin, South Carolina 29662
- 1m AF { Δ Mr. & Mrs. Max P. Harris  
~~Apt. 181 Willowick~~ *327 Pinehurst Dr.*  
~~45 Pelham Road~~ *29662*  
~~Greenville, South Carolina 29615~~  
*Mauldin*
- 1m AF { Δ Mr. & Mrs. Cohen C. Jackson  
109 Trentwood Drive  
Rome, Georgia 30161
- 1m AF { Δ Mr. & Mrs. J. Paul Johnson  
P. O. Box 2125  
Chattanooga, Tennessee 37409
- Δ Mr. & Mrs. Robert S. Johnson  
112 Lynbrook Blvd.  
Madison, Alabama 35758
- Δ Mr. & Mrs. Terry R. Kilgore, Sr.  
102 Fair Street  
Chattanooga, Tennessee 37415
- Δ Mr. & Mrs. Terry D. Lewis  
3205 Garden Lakes Blvd.  
Rome, Georgia 30161
- Δ Mr. & Mrs. George Majka  
~~2752 Budd Street~~ *54 Brownwood Lane*  
~~River Grove, Illinois 60171~~  
*Ringgold, Georgia 30736* *(SUBSCRIBER)*
- Δ Mr. & Mrs. Michael R. McAteer  
26 Leisure Drive  
Rome, Georgia 30161
- Δ Mr. & Mrs. W. Clifford McGahee  
3776 Royal Cove  
Dallas, Texas 75229
- Δ Mr. & Mrs. James M. McGahee  
Solon, Ohio
- Δ Mr. & Mrs. James W. Miller  
Rt. 7, Box 257A 270 A  
Carrollton, Georgia 30117
- Δ Mrs. James W. Miller, Jr.  
2404 Bowstring Drive  
Birmingham, Alabama 35214
- Δ Mr. & Mrs. John D. Powers  
1001 Adair Avenue NE  
Atlanta, Georgia 30306
- Δ Mr. & Mrs. William N. Price  
3421 Kettering Lane  
Birmingham, Alabama 35243
- Δ Mr. & Mrs. Robert W. Reid  
1429 Winola Lane  
Birmingham, Alabama 35235
- Δ ~~Mr. & Mrs. Robert M. Reynolds~~  
~~3819 Mission View Avenue~~  
~~Chattanooga, Tennessee 37411~~
- Δ Mr. & Mrs. Bobby A. Rowland  
Rt. 7, Box 279  
Carrollton, Georgia 30117
- Δ ~~Mr. & Mrs. Richard W. Madaris~~  
~~506 Courtney Drive~~  
~~Duson, Louisiana 70529~~



2m AF

△ Mr. & Mrs. David E. Sosby  
997 Vineyard Road  
Griffin, Georgia 30223

<sup>ETNOLD'S</sup>  
△ Mr. & Mrs. R. Hyatt Upchurch  
3222 Star Lake Circle  
Birmingham, Alabama 35226

} 2m AF  
SUBSCRIBER

1m AF

△ Mr. & Mrs. Michael Stogner  
Rt. 7, Box 262  
Carrollton, Georgia 30117

△ Mr. & Mrs. Ronald M. Upchurch  
3628 Kinnard Drive  
Doraville, Georgia 30360

} 1m AF

2m AF

△ Mrs. Charles L. Upchurch  
Rt. 7, Box 277  
Carrollton, Georgia 30117

<sup>HOMAS</sup>  
△ Mr. & Mrs. T. Glenn Upchurch  
810 Stewart Street  
Carrollton, Georgia 30117

} 1m AF  
SUBSCRIBER

2m AF

△ Mr. & Mrs. Charles R. Upchurch  
5133 Floyd Road  
Mableton, Georgia 30059 *Subscriber*

△ Mr. & Mrs. Thomas Ralph Upchurch  
2328-22nd Street  
Birmingham, Alabama 35208

} 2m AF  
SUBSCRIBER

1m AF

△ Mr. & Mrs. Donald R. Upchurch  
Rt. 1, Box 15A  
Waleska, Georgia 30183

△ Mr. & Mrs. Thomas S. Upchurch  
109 Candy Circle  
Carrollton, Georgia 30117

} 2m AF

2m AF

△ Mrs. Harold E. Upchurch  
3204 E. 44th Street  
Chattanooga, Tennessee 37407

△ Mr. & Mrs. Wayne Upchurch, Sr.  
1521 Truman Avenue  
Chattanooga, Tennessee 37412

} 2m AF

1m AF

△ Mr. & Mrs. Hiram S. Upchurch  
406 Shawnee Trail  
Chattanooga, Tennessee 37411

△ Mr. & Mrs. Wayne Grady Upchurch, Jr.  
3610 Kings Road  
Chattanooga, Tennessee 37416

} 2m AF

1m AF

△ Mr. & Mrs. Hiram S. Upchurch, Jr.  
7301 E. Brainerd Road  
Chattanooga, Tennessee 37421

△ Mr. & Mrs. Will J. Upchurch  
Rt. 7, Box 263  
Carrollton, Georgia 30117

} 2m AF

2m AF

△ Mr. & Mrs. James S. Upchurch, Sr.  
105 Lee Street vs 205 LEE ST  
Carrollton, Georgia 30117 *correct*

<sup>EMUEL</sup>  
△ Mr. & Mrs. Edward L. Vernon  
Rt. 2, Box 98  
Jemison, Alabama 35085

} 2m AF

1m AF

△ Mr. & Mrs. James S. Upchurch, Jr.  
603 E. Washington Street  
Thomasville, Georgia 31792

△ Mr. ~~Mrs.~~ Robert B. Watson  
119-W. Brookwood Road  
Birmingham, Alabama 35228

} 2m AF

1m AF

△ Mr. & Mrs. J<sup>oseph</sup> Abner Upchurch  
Rt. 7, Box 261  
Carrollton, Georgia 30117

△ Mr. & Mrs. Edwin Windom  
Rt. 7, Box 276  
Carrollton, Georgia 30117

} 2m AF

2m AF

△ Mr. & Mrs. Lake C. Upchurch  
5475 Saint Lo Lane  
College Park, Georgia 30349

△ Mrs Virginia Berry  
P.O. Box 775  
Cedartown, Georgia 30125

} 2m AF

2m AF

△ Mr. Maynard P. Upchurch  
Rt. 7 → vs RT 5  
Carrollton, Georgia 30117

2m AF

△ Mr. & Mrs. Ray Upchurch  
Rt. 7  
Carrollton, Georgia 30117

JAMES PAUL JOHNSON, JR XFD-7763

1 NOV 1982

MR. J. PAUL JOHNSON  
P.O. BOX 2125  
CHATTANOOGA, TN 37409

Dear J.

This is to thank you for your very nice letter of October 16, 1982 and for your report on the reunion. It will take me a little time to get around to reviewing the details as I have to put everything aside now and work on Issue 4 of Volume 3 of the Upchurch Bulletin. In the meantime if you have more details that become available I would be happy to have them.

I had hoped to send you some flyers for the Upchurch Bulletin for distribution at the reunion but for the past few weeks I have been traveling constantly. Some extra flyers are enclosed. Let me know if you need more. Can you tell me if someone has an address list for the reunion I could borrow? There must be some such list to call people to the event.

Thanks again for your wonderful help.

Sincerely yours  
Phil Upchurch  
[ROBERT PHILLIP BURKHORST]

XID-7763

JAMES PAUL JOHNSON, JR

①

12 JUN 1982

MR J. PAUL JOHNSON, JR  
P O BOX 2125  
CIN ATTANDOE A, TN 37409

Dear Jay,

I was so sorry to learn from your letter of June 5, 1985 about the death of your mother

Barbara Ann Johnson. She had been a wonderful correspondent and was most helpful and most interested in the Leitchville family. In her 15TH JUL 1982 letter she wrote "your report has been invaluable to me. I want to know the Bulletin about my children and grandchildren." May she rest in peace.

Here are some mementos from the Rose Mary (Virginia) Johnson family you may wish to keep.

- (1) For you and Anne Johnson
- (a) where was the room, party message, baby message?
- (b) where was her husband born?
- (c) where was Mary Ann born, who married, date married?
- (d) where was Rose Ann Mary born
- (e) Rose Ann and Rose Ann children? - if so details?
- (f) where was Rose Ann born, who married, date married?
- (g) Rose Ann's parents and her place of birth?
- (h) No Kelly's name how say children? if so details?

(1) For you and Anne Johnson

## (2) For Betsy Ruth Johnson

- a) where was she born, when married + when married?
- b) where was Edward Kenneth Dennis, Jr born, when died and when buried?
- c) Did Ruth + Edward have just one child - Jay Wallace Dennis?
- d) where was Jay Wallace Dennis born, when married and when married?
- e) when was Janet Sue Freye born?
- f) Did Janet + Jay have just the one child - Jay Ryan Dennis?
- g) where was Jay Ryan Dennis born?

## (3) For yourself -

- a) Exact Date of Marriage of Thomas Allen Johnson to Betty Manor? (Phone 1969)
- b) Full name of Betty Manor and date and place of her birth. For her name I have MANOR and MAYNOR, which is correct?
- c) Details on other marriages of Thomas Allen Johnson?
- d) I show that Tom Lynn and John Paul go by their mother's name - is this correct?

## 2) For Mary Sue Johnson

- i) Exact date of 1st marriage? (Phone 1970)
  - ii) Date and place of second marriage?
  - iii) Full name of Richard Madave and his birthdate?
- b) Exact ~~date~~ date of marriage of Robert Smith Johnson? (Phone JUN 1970).

## 4) For Cora Helen Johnson

- a) when and where was she married?
- b) when was James Weaver Miller Sr born?
- c) For James Weaver Miller, Jr
  - i) where born, when married, when married?
  - ii) where was Doris Susie Jones born?
  - iii) when was Keith Brian Miller born?
  - iv) Do James + Doris have just the one child?

4) Continued

d) For Karen Lynn Miller

- i) where was she born, where married & when married 1st + 2nd times?
- ii) where were her two husbands born?
- iii) where were her 3 children born?
- e) where was John Paul Miller born? (assume he is still single)

(5) For Bonnylyn Paul Johnson

- a) where did she die and where buried?
- b) when and when was Linda Paige Watson married to Carson Newman Cairnes and where was he born?
- c) when and where was Kirby Watson married to Robert W. Reed?
- d) what is the full name for Kirby Watson
- e) what does the "w" in Robert W. Reed stand for and where was he born.

I realize you would not be able to get all of the above but I thought it well to list the complete set of missing information in hopes that you might have some of it in your head or that you might be able to obtain some parts of it. Any help at all you can provide will be appreciated or in that you have already given.

We are coming along nicely with the Charles W. Thomas Bay II or subplan to which you belong. I will continue to make reference to it in future issues of Upchurch's Bulletin.

I trust this finds you in good health and that you are having a good summer. Let me hear from you.

Sincerely yours,  
 Phil Upchurch  
 (ROBERT PATLLTP UPCHURCH)

JAMES PAUL JOHNSON, JR

① X10-7763

October 16, 1982  
P.O. BOX 2125  
CHATTANOOGA, TN 37409

REC'D  
23 OCT 82

- Mr. Robert Phillip Upchurch  
- P. O. Box 35804  
- Tucson, Arizona 85740

- Dear Phil,

- Thank you very much for the tribute to my sister, Bonnilyn, in the  
- Upchurch Bulletin. It is quite appropriate and is appreciated by  
- her family with whom I visited at our annual reunion held October 3,  
- at the Shiloh Methodist Church Camp Ground in Carroll County, Ga.  
- The reunion was well attended this year with approximately 130 people  
- there including 30 or 35 friends of the family. The Upchurch Bulletin  
- was a center of attention this year with many showing an interest in  
- subscribing. This year two of Uncle George Upchurch's (3145) grand-  
- children, Horace and Kathleen Upchurch, came. Some of Uncle Joe  
- Upchurch's (3108) family from Culman, Alabama, were expected but were  
- not able to come for some reason that I don't know about. As far as  
- I know all others were members of Grandpa's (3147) family. I was  
- asked to send family information to Mrs. Virginia Berry, P. O. Box  
- 775, Cedartown, Ga., 30125. She is a member of Uncle Jep (William  
- Jephtha)(3154) and Aunt Mattie (3148) Lovvorn. Another request for  
- family information came from John U. Upchurch, Commercial Bank and  
- Trust, Paris, Tennessee. I don't know this man or how he is connected  
- to the family.

Δ+Δ+Δ

→ GEORGE B. U  
PUT IN  
U B  
Vol 3 #4  
OCT 1982  
→ JOSEPH  
LUMAKTO  
U

- I have some of the missing information you have asked for on the family  
- of Rosa May Upchurch.

- (1) For Carrie Helen Johnson
  - Δ (a) James Weaver Miller, Sr. was born in Birmingham, Alabama.
  - Δ (b) James Weaver Miller, Jr. was married 3-24-63.
  - Δ+Δ (c) Karen Lynn Miller was married to Donzie (Sonny) Goin 5-14-61.
  - Δ (d) Donzie Jerome Goin was born in Amory, Mississippi.
  - Δ (e) Edward Lemuel Vernon was born in Birmingham, Alabama.
  - Δ (f) Alan (not Allen) Jerome Goin was born in Atlanta, Georgia.
  - Δ — Jamie Kay Goin was born in Chattanooga, Tennessee.
  - Δ — Jason Howard Vernon was born in Birmingham, Alabama.
- (2) For Bonnilyn Paul Johnson
  - Δ — (a) Linda Paige Watson was married 5-23-58.
- (3) For myself
  - (a) I can't shed any more light on the five previous marriages of
  - Δ — Thomas Allen Johnson, but I can add a little more uncertainty.
  - Δ — He has married a sixth time to a Bonnie Crawford sometime in
  - — August 1982. They live at 2045 - 2nd Street, Madill, Oklahoma
  - — 73446. I got this information from a note he sent.
- (4) For Bobby Ruth Johnson
  - (a) Edward Kenneth Dennis, Jr. died 12-12-56 in an automobile
  - — accident at Moberly, Mo.
- (5) For Margaret Anne Johnson
  - Δ (a) Margaret was married in Jackson, Mississippi 3-21-53.
  - Δ (b) Max Paul Harris was born in Greenville, S. C.
  - Δ (c) Denise Ann Mays was born in Greenville, S. C.
  - Δ (d) Kelly Elizabeth Harris was married 1st time in Charleston, S.C.
  - — 9-27-1979.
  - Δ (e) Ronald Craig Emond is Ronnie's full name.
  - Δ (f) Phillip Dwayne Lupo was born in Greenville, S. C.

- △ (6) For Thomas Homer Upchurch  
 △ — (b) Beulah Jeter was married 10-7-1912.
- △ (7) For Fannie A. Upchurch  
 — (a) The "A" stands for Ailene.  
 — (b) She was born in Carroll County, Ga., died in Tallapoosa, Ga.,  
 — — and buried in Smith Chapel Cemetery in Carroll County.  
 △ (d) William Thomas Carpenter was born in Carroll County, died in  
 — — Atlanta (1930) and buried in Smith Chapel Cemetery.  
 △ — Ethel Rice Carpenter was born in Greenville, S. C. She died  
 — — in Atlanta 9-3-1981 and is buried in Atlanta.

- △ (10) For Charles Lloyd Upchurch  
 △ (a) Charles died while attending a Steward's meeting at the Shiloh  
 — — Methodist Church in Carroll County. He was buried in the  
 — — Shiloh Cemetery.  
 △ (b) May Belle Ashmore was born in Carroll County. She is still  
 — — living in Carroll County.

- △ (11) For John Shields Upchurch  
 △ (a) Shields was born and died in Carroll County. He is buried  
 — — in Carrollton, Georgia.  
 △ (c) Evie Johnson was born in Graham, Alabama, died in Carroll  
 — — County, and buried in Carrollton.  
 △ (d) Jewel Baskins (not Haskins) was Jewel Baskins Knight when she  
 △ — married Uncle Shields. She died in Carroll County and is  
 — — buried in Villa Rica, Georgia.

- △ (13) For Thomas Ralph Upchurch  
 △ (a) Ralph's wife's name is Myrtle Maylene (not Maelene)  
 — (b) She is still living.  
 △ (c) Uncle Ralph came to live with us in Birmingham when he <sup>was</sup> 20  
 — years old, in 1922.  
 — After a futile search in the Chattanooga area for the grave  
 △ of my great grand father, William Barnes Upchurch, we have been  
 — informed by the National Cemetery officials in Nashville that  
 — he died 10-28-1862 and is buried with 1600 other veterans in the  
 — Bethel Cemetery in Knoxville, Tennessee. Evidently he died  
 — near his burial place.

- △ (14) For Joseph Abner Upchurch  
 — (a) Abner was married 1-7-1933.

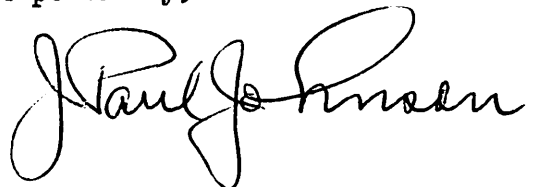
— As far as I know, no records are presently being kept of the annual reunion,  
 △ + △ but I learned from Wilma Hamrick Upchurch, wife of James Shields Upchurch, Sr.,  
 △ that Aunt Evie kept minutes until her death. Wilma has promised to copy them  
 — for me. Maybe we will revive the custom of keeping minutes in the future.

→ EVIDE JOHNSON

— Thank you for sending me the biofiles on the Charles/Thomas Gay Upchurch, Sr.  
 — line. I'm making copies for those at the reunion who expressed interest.

— There are still some items of information you need that I have not been able  
 — to get. I'll keep trying.

Respectfully,



JAMES PAUL JOHNSON, JR

XID-7763

Sept. 16, 1982

①

REC'D 23 SEP 1982

J. PAUL JOHNSON

P.O. BOX 2125

CHATTANOOGA, TN 37409

EXTRACTED & ACKNOWLEDGED  
27 DEC 82  
RPM

MR. ROBERT PHILLIP UPCHURCH  
P.O. BOX 35804  
TUCSON, ARIZONA 85740

Dear Phil,

Thank you for the bio files of Thomas Gay Upchurch, Sr. This will help me to know a lot more about my background than I have been able to find elsewhere.

You asked about the reunion I will be attending in October. This has been an annual affair since the middle 1920's.

It commemorates the birth of my grandfather Thomas Homer Upchurch. It is held on the first Sunday in October which is near his birthday of October 8. It is open to any and all Upchurches but mostly only members of grandpa's family attend. In the early years of the reunion grandpa's brothers and sisters attended and sometimes some of my mother's cousins would visit. Last year two of uncle George's grandchildren were present. Many friends of the family who live near come by to see us for the only time during the year.

The reunion is held on the camp grounds of the Shiloh Methodist Church at Burwell, Georgia (Carroll County). We usually have from 100 to 125 in attendance. Most of

Entered in UB Vol 4 (1983) Series 1  
RPM 20 FEB 1983



We attend church and then spread our lunch <sup>(2)</sup> in the fellowship hall. The pastor of the church and his family are always invited and usually come.

16 SEP 1982

at this reunion I will try to fill in the missing information you have asked for. As far as addresses goes, I think you have a fairly accurate list with the "Thomas Homer Upchurch Family" I sent you. However, I will take the list with me and correct it where necessary and add some that may not be on it. No records are kept of the meetings. They are very informal. Two years ago (1980) I attempted to get the information for the genealogy I prepared. I had mentioned <sup>this</sup> the year before (1979) and was asked to prepare a family chart. I devised a form and asked each family to fill it out. From the information on the forms I was able to make the chart, a copy of which you have. If you would like to have the source information (forms given to me) I'll be glad to send them. They are not complete and won't give you all you need but I don't need them anymore.

27 DEC 82  
I TO  
ASKED  
SEND  
THESE  
TO ME

It might be appropriate to distribute the flyers at the meeting. If you could send 25 or 30 I'll hand them out.

Thanks again for the biofiles. Sincerely Paul Johnson

JAMES PAUL JOHNSON, JR XID-7763 Rec'd  
① 8.24-82

August 18, 1982

P.O. BOX 2125  
CHATTANOOGA, TN

— Mr. Phillip Upchurch  
— P. O. Box 35804  
— Tucson, Arizona 85740

— Dear Phil,

— I will try to answer the questions you put to me in your letter of  
— June 12.

— (1) For Margaret Anne Johnson

- △ c) Max Paul Harris was born in Greenville, S. C. I do not know where  
— or when he was married. However, he and Denise Ann Mays are now  
— separated.
- d) I don't know where Denise was born.
- △ + △ f) Kelly Elizabeth Harris' new husband is Phillip Dwayne Lupo. He was  
□ + □ born in Greenville, S. C., Feb. 11, 1961. Kelly and Phil now have  
△ a son, Jonathan Phillip Lupo, born Aug. 12, 1982, in Anderson, S. C.

□ (2) For Bobby Ruth Johnson

- △ + △ d) Jay Wallace Dennis married Janet Sue Freye in Paradise Valley,  
— Arizona. I have no date.
- △ e) Janet Sue Freye was born in Elgin, Illinois.

— (3) For myself

- e) Mary Sue Johnson → WILLIE RICHARD MADARIS
- △ + △ ii) Mary Sue and Richard were married July 18, 1981, in Chattanooga,  
— Tennessee.
- △ iii) Richard's full name is Willie Richard Madaris. He was born in  
— Troy, Alabama, January 15, 1953.

□ (4) For Carrie Helen Johnson

- △ b) James Weaver Miller, Sr. was born in Birmingham, Alabama.  
△ + □ He and Kay (Carrie Helen) were married October 15, 1939, in  
— Columbiana, Alabama.
- c) For James Weaver Miller, Jr.
- △ ii) Doris Sarah Jones was born in Arab, Alabama.

— (5) For Bonnilyn Paul Johnson → LINDA PAEE WATSON

- △ + △ b) Paige and Carson Cairnes were married in Midfield (Jefferson Co.)  
□ Alabama. I do not have the date. Carson was born in Birmingham.
- △ + △ c) Kirby and Bobby Reid were married in Ensley (Jefferson Co.)  
— Alabama, on September 16, 1966.
- △ e) Bobby's full name is Robert Winston Reid.

— There are still a few items I need to clear up on this letter. Let me  
— keep trying.

— Questions you asked in your July 3 letter are addressed on the next page.

□ (1) For Fannie A. Upchurch  
 △ I've not been able to get an answer to my letter to Bob Carpenter  
 △ + □ in Atlanta. Bob is Aunt Fannie's son. It is likely that I will  
 - see him at our reunion to be held the first Sunday in October at  
 △ + △ Burwell, Georgia. Bob's wife, Ethel Rice, died September 3, 1981.

- (2) For Homer Edward Upchurch  
 △ a) Uncle Homer was married in Carrol County, Georgia, and buried at  
 - Burwell, Georgia.  
 △ b) Aunt Una Clayton Digby is still living. She is in a nursing home  
 - in Fort Oglethorpe, Georgia, which is hard on to Chattanooga.

- (3) For Charles Lloyd Upchurch  
 △ a) Uncle Charles was born, married, and buried in Carrol County, Ga.  
 △ b) Aunt May Belle Ashmore was born in Carrol County, Georgia, also.  
 - She is still living in Carrol County (Burwell)

- (4) For John Shields Upchurch  
 △ + □ I wrote to James, Uncle Shields' son, but have not heard from him.

- (5) For William James Upchurch  
 △ a) Will James was born, died, and buried in Carrol County, Georgia.

- (6) For Joseph Abner Upchurch  
 △ a) Abner was born and married in Carrol County, Georgia.  
 - b) I don't have the date of marriage.  
 △ c) Willamina Marlowe was born in Carrol County, Georgia

- (7) For Maynard Parks Upchurch  
 △ a) Maynard was born in Carrol County, Georgia

- (8) For Daniel Stanley Upchurch  
 △ a) Dan was born in Carrol County, Georgia. He died in Birmingham,  
 - Alabama, but was buried in Carrol County, Georgia.

- (9) For Thomas Homer Upchurch  
 △ a) Grandpa was married each time in Carrol County, Georgia.  
 - b) The dates of his marriages were: 1st 9-22-1882, 2nd 2-17-1909,  
 - 3rd 10-?-1912.  
 △ + △ c) Grandpa's second wife's name was Nancy Hearn. I can't find another  
 - given name. She was born and buried in Carrol County, Georgia.  
 □ d) I haven't been able to find but one given name for Grandma Beulah  
 - Jeter who was born and buried in Carrol County, Georgia.

FOR THOMAS HOMER  
 U A } As you can see Grandpa Tom never got very far from home. As far as I know he lived his entire life in Carrol County. He was born in Bowdon, Georgia, which is about four miles from the small community of Burwell. He belonged to the Shiloh Methodist Church in Burwell. He was a cotton farmer, not highly educated, but I remember him as being pretty sharp. He was a large man, probably 250 pounds, honest and well respected in the community. I can't think of anything outstanding that he did except to raise a hardworking family. Many of his descendants are still in the community.

- I don't know of anything unusual about the Upchurch family. None of us  
- have distinguished ourselves. We are craftsmen, teachers, office managers,  
- accountants, engineers, bankers insurance salesmen, contractors, small  
- business owners, and other professions, I'm sure.

→ ROSA MAY U → JAMES PAUL JOHNSON, SR → JAMES PAUL JOHNSON, JR  
Δ + Δ My mother and father were married in Carrol County, but Dad moved his  
□ family to Birmingham before I was born. My father was a locomotive engineer.  
- In my youth the 120 miles from Birmingham to Carrol County was too far to  
- go very often. Therefore, I was not well acquainted with my relatives.  
- I got to know them during the depression when Dad was reduced to two days  
- work a week. He stayed in Birmingham to work and sent the rest of us to  
- the farm to make part of our living. For three years I spent my time  
- planting, plowing, and picking cotton. During this time I got to know  
- my relatives much better. Since then I see them mostly at reunion time  
- or when a death occurs.

→ THOMAS RALPH U → ?  
Δ My uncle Ralph came to live with us in Birmingham when he was about 20  
- years old. He soon married but lived near us in Birmingham. He is the  
- 'Old Man' of the clan now at 80 years of age. I admire him greatly.

→ JOSEPH ABNER U  
Δ Abner was a farmer but is now stricken with arthritis and is in pain  
- much of the time.

→ MAYNARD PARKS U → THOMAS HOMER U  
Δ + Δ Maynard took care of his mother and daddy until they died. He never  
- married but still lives on his father's farm.

→ CARRIE HELEN JOHNSON  
- The Johnson family is pretty much scattered over the country. My twin  
Δ + Δ sister Kay and her husband James live on a part of Grandpa's place where  
- they retired several years ago. They used to live in Birmingham where  
□ James worked as a steel fabricator. → JAMES WEAVER MILLER, SR

→ BOBBY RUTH JOHNSON  
Δ My sis Bobby lives in Phoenix where she works and takes care of her  
- father-in-law who is elderly.

→ MARGARET ANNE JOHNSON  
Δ My youngest sister, Maggie, lives in Greenville, S. C. and works for  
- Morton Norton. She also has a very young grandson to help look after.

□ I'm living in Chattanooga now that I have retired from the TVA after  
- 42 years in construction and plant accounting.

→ THOMAS HOMER U → NANCY MATILDA COPELAND → WILLIAM BARNES U  
Δ + Δ I don't think my grandfather knew much about his father who died during  
Δ the Civil War. Grandpa was raised by his mother who stayed in Carrol  
- County with her five children when the rest of the Upchurch family moved  
□ on. My knowledge of the Thomas Gay Upchurch, Sr. family is limited to  
- what I find in the Upchurch Bulletin. If you could send me copies of the  
- biofile pages on my grandfather, great grandfather, and great great  
- grandfather I would certainly appreciate it. I will share it with others }  
- in the family when I see them at the reunion.

- If you are ever near Chattanooga in your travels, please call me and }  
- we'll get together. We have a large house at the foot of Lookout Mountain }  
- and only two of us are here most of the time. We would welcome a visit.

Sincerely yours,

JAMES PAUL JOHNSON, JR XID-7763  
(3)

29 AUG 82

MR J PAUL JOHNSON  
PO BOX 2125  
CHATTANOOGA, TN 37409

Dear Paul,

Your letter of August 13, 1982 has now been fully extracted. Thank you for the very fine set of information.

Enclosed herewith is a set of my profiles for Charles U, Thomas Cuyler Sr, William Barnes U and Thomas Howell U - members of your West Upchurch line. I hope you will find me as two new bits of information in the set. You need not return these.

Can you tell me a little more about the Upchurch reunion you will attend on the first Sunday in October. When will it be held? What sections of the Upchurch family are invited? How many attend? Is it possible that that address including ZIP Code could be available from the meeting. I would be happy to send each person a flyer on the UB. Of course it would also be nice to know the parents and grand parents of each person present. Are any records collected at the meetings? Would flyers on the UB be appropriate

for distribution at the meeting? Any suggestions you have would be appreciated.

Here are the missing items on the family of Rosa May A

1) For Bernilyn Paul Johnson

a) Date of Marriage of Linda Page Watson?

2) For Carole Helen Johnson

a) where was James Deane Miller, Sr born?

b) when in 1963 was James Deane Miller, Jr married?

c) when in MAY 1961 was Karen Lynn Miller married?

d) where was Donzue Jerome Coon born?

e) where was Edward Samuel Vernon born?

f) where were the 3 children of Karen Lynn Miller born?

3) For yourself.

a) The exact dates of the 5 marriages of Thomas Allen Johnson (I born 1902, 65, 67, 75, 81) and the full maiden names, birth dates & birth places of wives 1, 2, 4 and 5.?

b) where in WV was Robert Merle Reynolds born?

4) For Betty Ruth Johnson

a) where in MO did Edward Kenneth Deane, Jr die?

b) when did Jay Wallace Deane marry?

5) For Margaret Anne Johnson

a) when and where was she married?

b) where was Max Paul Harris married?

c) where was Nurse Ann Mayz born?

d) when and where was Kelly Elizabeth Harris married the 1st time and where married the 2nd time?

e) Full name for Ronnie Edward and when born?

f) when was Phillip Dwayne Jupp born?

Here are the missing items on Thomas Homer U and her children:

5) For Thomas Homer U

- a) Full name for Nancy Hearn?
- b) Date in OCT 1872 when Beulah Peter married?
- c) Full name of Beulah Peter and where born?

6) For Fannie A U

- a) what does "A" stand for?
- b) where born, died, married, buried?
- c) when married?
- d) where was William Thomas Carpenter born, when & where died and where buried?

8) For Homer Edward U - all OK

9) For Rosa May U - all OK

10) For Charles Floyd U

- a) when died, where buried?
- b) where was Marge Belle A. Brown born, when and where died and where buried?

11) For John Shields U - where born, where died, where buried?

- b) when and where married Ernie Johnson? and when and where married Jewel Haskins?
- c) Full name for Ernie Johnson & where born and when & where died and where buried?
- d) Full name for Jewel Haskins and when and where born, when died, where buried?

12) For William James U - all OK

13) For Thomas Ralph U -

- a) is full upper name MAILENE or MAELONE
- b) Assume she is still living
- c) when (at what age) did he come to live with your parents - your letter shows at woyare gaze?

14) For Joseph Almer U

- a) when married?

- (13) Mrs Myrland Parks U - all OK
- (14) Mrs Daniel Stanley U - all OK

(6)

I realize I sent all those questions before and that some of the information is just not available - but it seemed best to get down what is still missing to make your next efforts easier.

Tamara now take U D Vol 3 #3 to the printer. It should be to you in about 3 weeks. I have included a few words about Bannelys which I hope you will think appropriate.

I am interested to have all the details on the descendants of the brother and sister of Rosa May U. you know what is needed. of course I have your excellent document on the Thomas Homer U family and anything that is in it need not be repeated.

Thank you for asking me to stop by for a visit. sooner or later I may take you up on the offer. My appeal travel is partially unpredictable and for the last several years vacations have been used only for essential family affairs. Glad to hear you picked up the letter - so did I. We have in our family room two in Tucson my GT Upchurch letter book! Phil Upchurch

[ROBERT PATRICK UPCHURCH]



JAMES PAUL JOHNSON, JR

XFD -7763

①

3 JUL 1982

MR J. PAUL JOHNSON  
P.O. BOX 2125  
CHATTANOOGA, TN 37409

Dear Jay,

Many thanks for your letter of June 23, 1982 and for all of the details. They have now been extracted and properly recorded. I appreciate your willingness to keep working for more details. You have already made a substantial contribution with your Thomas Homer Upchurch document - only a few people know how much effort such a document represents.

I am especially pleased to have the eulogy for Thomas Guy U, Sr and am sharing it with some others. Can you tell me any more about your Grandfather bible in which this document was found. Have you ever seen the bible, who has it now, does it have any other information written in it, were there other documents in the bible, who might have other historic documents which could have been among your Gf papers? I imagine you have already gone through this line of thought but an old Upchurch bible can bring information not available elsewhere.

Can you help with any of the information which is missing for your Aunts and Uncle which is as follows:

(1) For Fannie A U.

- a) what does "A" stand for?
- b) where born, married, died, buried?
- c) when married?
- d) For William Thomas Carpenter - where born, when & where died, where buried?

(2) For Homer Edward U

- a) where married, where buried?
- b) For Una Clayton Digby - when & where did & where buried?

(3) For Charles Lloyd U

- a) where born, married, died, buried?
- b) For May Belle Ashmore - where born, died, buried & when died?

(4) For John Stuedde U

- a) where born, married (1st + 2nd), where died, where buried?
- b) when mtd 1st + 2nd time?
- c) For Eric Johnson - full name, where born, when and where died, where buried?
- d) For Jewel Haskins - full name, when & where born, where died, where buried?

(5) For William James U

- a) where born, died, buried?

(6) For Joseph Abner U

- a) where born, where married?
- b) when married?
- c) For Ulla Marlow - full name, where born?

(7) For Maynard Park U -

- a) where born?

(8) For Daniel Stanley U

- a) where born, where died, where buried?

(9) For your GF - Thomas Homer U

- a) when mtd 1st, 2nd, 3rd times?
- b) exact dates of 3 marriages - I have only 1882, 1909, 1912?

(9) Continued

- 3 -

(3)

c) For Nannie Hearn (2nd wife) - full name, place of birth, place of burial?

d) For Beulah Peters (3rd wife) - full name, place of birth?

Jay - I would welcome any questions you might have of me - for anything you suspect I might have in my file that you might not have - I could xerox the biofile pages I have on your gf, ggf, ggf - if you are interested.

Have you encountered anything unusual about the Upchurch family in your search (either good or bad)? Some unusually incidents help to make our family seem more real.

Your interest and support are greatly appreciated.

Sincerely yours  
Phil Upchurch  
[ROBERT PHILLIP UPCHURCH]

JAMES PAUL JOHNSON, JR

XID-3763

June 23, 1982

Mr. Robert Phillip Upchurch  
P. O. Box 35804  
Tucson, Arizona 85740

P.O. BOX 2125  
CHATTANOOGA, TN 37409

REC'D  
28 JUN 1982

(1)

- Dear Phil,

- The Upchurch Bulletin, vol. 3, no. 2, has just been received which  
- reminds me to answer your letter of June 12. I am not able to furnish all  
- the information you need, but I'll keep working on it and will relay it to  
- you as I get it.

- △ (1) For Margaret Anne Johnson → MAX BRUCE HARRIS
- △ a. Margaret was born in Birmingham, Alabama
  - △ b. Her husband, Bruce, was born in Anderson, South Carolina
  - △ + △ (Margaret and Bruce are now divorced)
  - △ c. Max Paul Harris was born in Greenville, S. C., married 2-14-80  
but I don't know where.
  - d. I don't know where Denise Ann Mays was born
  - △ + - e. Max and Denise have no children
  - △ f. Kelly Elizabeth Harris was born in Greenville, S. C. She is now  
divorced from Ronnis Emond. On 2-13-81 she married Phillip Lupo  
who was born 12-11-60.
  - △ g. I don't know Ronnie Emond's place or date of birth.
  - △ h. No children were born to them.
- △ (2) For Bobby Ruth Johnson
- △ a. Bobby was born in Birmingham, Alabama, married in Birmingham  
on April 10, 1947.
  - △ b. Edward Kenneth Dennis, Jr. was born in Chicago, Illinois, was killed  
in an automobile accident somewhere in Missouri, and buried in  
Oak Park, Illinois.
  - △ c. Jay Wallace Dennis was their only child.
  - △ d. Jay was born in Chicago, Illinois, married in Phoenix, Arizona,  
but I don't know the date.
  - △ e. I don't know where Janet Sue Freye was born
  - △ f. They have only one child
  - △ g. Jay Ryan Dennis was born in Phoenix, Arizona
- △ (3) For myself
- △ + △ a. I don't know the exact date of marriage of Tom and Betty.
  - △ b. I think Betty's full name is Betty Ruth Maynor. She was born  
in McColl, South Carolina, 8-24-1947. Her names is Maynor not Manor.
  - △ c. The following is the best information I have about Thomas Allen  
Johnson's marriages. The dates are approximate and the places are  
only guesses.
    - △ Married Brenda Head in 1962, in Tuscombia, Alabama,
    - △ Married Bobbie Staples in 1965, in Lilburn, Georgia
    - △ Married Betty Maynor in 1969, in McColl, South Carolina
    - △ Married Carol Allen in 1975, in Lafayette, Georgia
    - △ Married Kathy Norris in 1981, in Centre, Alabama
  - This list may not be complete. A person who makes a living as  
- a con artist must move often and fast. We have not seen or heard  
△ from Tom this year.
  - △ + △ d. Yes, Terri Lynn and John Paul now have the name of Maynor.

- e. For Mary Sue Johnson  
 i) Sue's first marriage date was 5-12-72  
 ii) Her second marriage date was 7- -81  
 iii) Richard's full name is Willie Richard Madaris. I'll send you his birth date later.  
 f. Robert Smith Johnson was married July 2, 1971. (not June 1970)

(4) For Carrie Helen Johnson

- a. She was married October 15, 1939, in Columbiana, Alabama  
 b. I don't know where James Weaver Miller, Sr. was born. I'll get it and send it later.  
 c. James Weaver Miller, Jr. was born in Birmingham, Alabama, married in Birmingham sometime in 1963. He died in Birmingham and is buried in Burwell, Georgia  
 I don't know where Doris Sarah Jones was born  
 Keith Brian Miller was born in Birmingham, Alabama  
 Jim and Doris have only one child, Keith  
 d. Karen Lynn Miller was born in Birmingham, Alabama.  
 She married Donzie Jerome Goin in May 1961, in Vernon, Alabama  
 She married Edward Vernon on 11-14-1973, in Birmingham, Alabama  
 e. Jon Paul Miller was born in Birmingham, Alabama. He is still not married.

(5) For Bonnilyn Paul Johnson

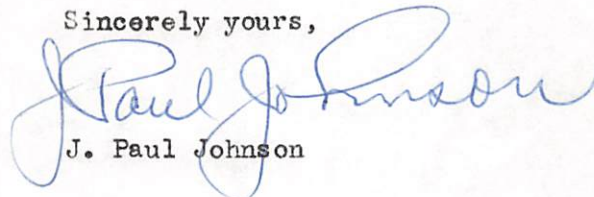
- a. Bonnilyn died in Birmingham, Alabama, and is buried in Elmwood Cemetery, Birmingham.  
 b. I don't know when or where Paige Watson was married to Carson Cairnes, nor do I know where Carson was born.  
 c. I don't know when or where Kirby Watson was married to Robert Reid  
 d. Kirby's full name is Kirby Merrell Watson  
 e. I don't know what the "W" in Robert W. Reid's name stands for.

I have made a list of all the "don't know's" above and will continue to find answers as I am able to communicate with members of the family. I appreciate the work you are doing in publishing the Upchurch Bulletin. I know how hard it is to get the information needed. I assembled the data and published the document entitled "The Family of Thomas Homer Upchurch", a copy of which you have. It was like pulling eye teeth just to get full names and birth dates. I didn't ask for marriage dates and places. I should have, then your task would have been easier.

You may already have a copy of the Eulogy to Thomas Gay Upchurch, Sr. that was found in my grandfather's bible. In case you do not, I'm sending you a copy.

I'll get the rest of the information you ask for as soon as I can. I hope all goes well with you, and congratulations upon becoming a grandfather.

Sincerely yours,

  
 J. Paul Johnson

JAMES PAUL JOHNSON, JR

XFD-7763

June 5, 1982

P.O. BOX 2125

CHATTANOOGA, TN 37409

Mr. Phil Upchurch  
Tucson, Arizona

REC'D  
11JUN1982

- Dear Phil,

- I have tried to answer the questions you
  - asked on Page 2. You may wonder why I don't
  - know more about my own children, especially
  - Δ Thomas Allen. He left our home when he was
  - only 17. He has been married 5 times that I know
  - Δ of and probably more than that. I listed Betty
  - Manor as his wife because two children were born
  - to that marriage. He may have other children.
  - Δ + Δ My daughter Mary Sue is now married to Richard
  - Madaris and they live in Lafayette, La. where they
  - both are employed by South Central Bell Telephone Co.
  - Δ My son Robert Smith J. lives in Alabama
  - where <sup>he</sup> is V.P. of the Central Bank of the South
  - in Decatur.
  
  - I'm sorry to report to you the recent death
  - Δ of my sister Bonnylyn Watson with whom
  - you have corresponded. She died 3-25-82
  - from complications of surgery performed last
  - year.
- Paul Johnson

- Answers to questions you asked.

□ 1. a. I was born in Birmingham, Jefferson Co., Alabama  
- and married in Walker County, Georgia  
- Sept. 9, 1946.

△ b. My wife Mary was born in Cartersville,  
- Bartow Co., Georgia.

- 2. Our three children were all adopted and  
- you may choose not to include them in  
- the record. Nevertheless, I will try to  
- answer your questions

△ a. Thomas A. Johnson was born in Elizabethton, (Carter  
- Co.), Tennessee. Married 1969 in McColl, S.C.

Address unknown  
△ + △ b. Do not know full maiden name of Betty Manor.  
- or birth date or place. Tom and Betty  
- are now divorced.

△ c. Terri was born in Whitesboro, Texas and  
- John Paul in McColl, S.C.

△ 3. a. Sue <sup>Mary Sue Johnson</sup> was born in Elizabethton, Tenn. and  
- married in 1970 in Chattanooga, Tenn.

Now Sue Madaris  
200 Driftwood St.  
La Fayette, La  
70503  
△ + △ b. Bobby Reynolds was born in West Virginia.  
- Sue and Bobby are divorced.

△ + △ c. The two children, Laurie and Bryan, were born  
- in Chattanooga, Tenn.

△ 4. a. Bob <sup>Robert Smith Johnson</sup> was born in Knoxville, Tenn. and  
- married in June 1970 in Chattanooga, Tenn.

112 Lynbrook Blvd.  
Madison, Ala.  
35758 △ b. Brenda was born in Arab, Alabama.

△ c. Scott was born in Chattanooga, Tenn.

ADDRESSES OF INDIVIDUALS WHO COULD BE INTERESTED IN INFORMATION  
ABOUT THE HISTORY OF UPCHURCHES AND UPCHURCH DESCENDANTS & RELATIVES

5:30 pm  
RPU  
26 MAR 82

NAME	STREET NUMBER & NAME AND/OR BOX NUMBER	CITY OR TOWN, STATE	ZIP CODE
1. <u>COY WAYNE UPCHURCH</u>	<u>1046 BLANTON DRIVE</u>	<u>CHATTANOOGA, TN.</u>	<u>37412</u> A-64
2. <u>ELMA UPCHURCH</u>	<u>6225 DAYTON BLVD.</u>	<u>HIXSON, TN.</u>	<u>37343</u> -A-87 sent
3. <u>JAMES S. UPCHURCH</u>	<u>6222-B CHAMPION RD</u>	<u>CHATTANOOGA, TN.</u>	<u>37416</u> A-87 sent
4. <u>RONALD W. UPCHURCH</u>	<u>4409 KEMP DRIVE</u>	<u>CHATTANOOGA, TN.</u>	<u>37411</u> A-64
5. <u>JAMES W. UPCHURCH</u>	<u>469 CLIFT ROAD</u>	<u>SODDY, TN.</u>	<u>37379</u> -A-87 sent
6. _____	_____	_____	_____
7. _____	_____	_____	_____
8. _____	_____	_____	_____
9. _____	_____	_____	_____
10. _____	_____	_____	_____

JAMES  
PAUL  
JOHNSON, JR

PLEASE RETURN TO: Robert Phillip Upchurch  
P. O. Box 35804  
Tucson, AZ 85740

Rec'd from James Paul Johnson, Jr.  
26 MAR 1982 by RPU

Sent flyer  
4-16-82  
card + bio.

NOTE: Information about UPCHURCH BULLETIN  
will be sent to any individuals who  
are listed above.

RPU, Editor  
UPCHURCH BULLETIN

XFD-1763



JAMES PAUL JOHNSON, JR

XFD-7763  
1

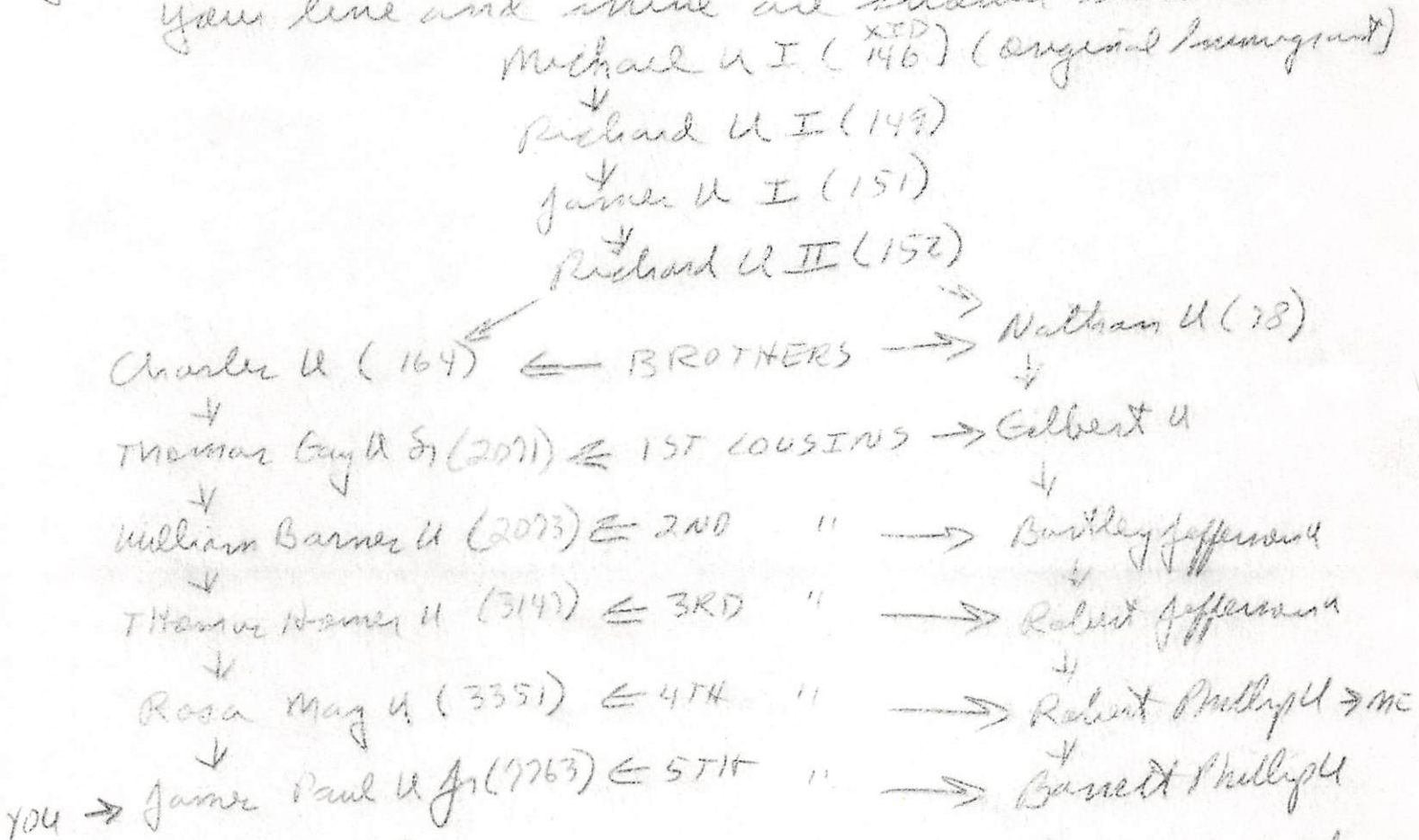
MR. J. PAUL JOHNSON  
P.O. BOX 2125  
CHATTANOOGA, TN 37409

28 MAR 1982  
P.S. I held this to extract other information  
It turns out I have answers to  
questions 5, 6 & 7. Sorry for the delay  
Phil Upchurch  
31 MAY 1982

Dear Jay,

Thank you for the family chart and the six  
addresses which arrived on 26 MAR 1982. I trust  
your eulitians have arrived by now.

Your line and mine are shown below:



So your mother and I are 4th cousins, you and  
my son are 5th cousins while you and I  
are 4th cousins once removed.

I have a good exchange of correspondence  
inidway with your sister Bannlyn.

Here are some questions we need help on.

(1) For yourself -

- where born & where married?
- where was your wife Alice born?

2) For your son Thomas Allen Johnson

- where born and when and where married?
- Full maiden name of Betty Maynor and her birth date and birth place?
- where were the two children born?

(3) For your daughter Mary Sue Johnson

- where born and when and where married?
- where was Robert Merle Reynolds born?
- where were the two children born?

(4) For your son Robert Smith Johnson

- where born and when and where married?
- where was Brenda born?
- where was Joel Scott Johnson born?

(5) For your mother - Rosa May H

- where born? when died? where buried?
- Day married? (I have JUN 1908)
- where married?

(6) For your father - James Paul Johnson Sr

- where born, where died, where buried?

(7) For your gf - Thomas Thomas H

- where born, where died?
- He was married 3 times - need all 3 ~~marriage~~ marriage dates & places plus birth & death place & burial place for all 3 wives.

Hope you can help on some of the above. Let me know if you have questions on Upchurch Bulletin.

Sincerely yours  
Phil Upchurch

[ROBERT PHILLIP UPCHURCH]

FAMILY RELATIONSHIP CHART

YOUR GRANDPARENTS

△ N JAMES THOMAS JOHNSON

B OCT. 21, 1860

D APR. 4, 1941 →

M ?

△ N HELEN MAR HUFF

B FEB. 19, 1863

D APR. 15, 1896

□ N THOMAS HOMER UPCHURCH

B OCT. 8, 1859

D AUG. 29, 1947

M ?

□ N CARRIE ELIZABETH THURMAN

B MAR. 18, 1865

D APR. 1, 1908

YOUR PARENTS

VS 30 APR 1941?

□ N JAMES PAUL JOHNSON

B Nov. 14, 1889

D OCT 5, 1950

M ?

□ N ROSA MAY UPCHURCH

B JULY 8, 1891

D JUNE 28, 1978

(N=Name (Give Full Name)  
(B=Date of Birth)  
(D=Date of Death)  
(M=Date of Marriage)

INFORMATION FOR:

*He is a Twin*

YOU

□ N JAMES PAUL JOHNSON

B DEC. 14, 1913

M SEPT. 14, 1946

YOUR SPOUSE

△ N MARY ALICE SMITH

B Nov. 8, 1916

D \_\_\_\_\_

NOTE: INFORMATION MADE AVAILABLE ON THIS FORM IS TO BE REARRANGED AND PUBLISHED IN UPCHURCH BULLETIN.

*Reid by RPH 26 MAR 1982  
by RPH from James Paul Johnson.*

RETURN TO:

Robert Phillip Upchurch  
P. O. Box 35804  
Tucson, AZ 85740

PARENTS OF SPOUSE

△ N WEBB HARTWELLS SMITH

B JAN. 12, 1889

D OCT. 3, 1951

M DEC. 19, 1915

△ N ELLA MAE DYSART

B APR. 25, 1896

D JAN. 7, 1948

GRANDPARENTS OF SPOUSE

△ N JOHN L. SMITH

B \_\_\_\_\_

D \_\_\_\_\_

M \_\_\_\_\_

□ N MARY AGNES SMITH

B \_\_\_\_\_

D \_\_\_\_\_

△ N JOHN WILLIS DYSART

B DEC. 3, 1849

D SEPT. 19, 1925

M MAY 24, 1877

△ N MARY HARRISON CARSON

B JUN. 11, 1858

D OCT. 2, 1937

*JAMES PAUL JOHNSON, JR*

*XFD-7763*

JAMES PAUL JOHNSON, JR

XID-1763

7 APR 82

MR J. PAUL JOHNSON  
P.O. BOX 2125  
CHATTANOOGA, TN 37409

Dear Mr Johnson,

Here is a acknowledge receipt of your order for Upchurch Bulletin Vol 1, 2 & 3 and of your \$30<sup>00</sup> check in payment for same. We are a little behind in filling orders but your Vol 1 & 2 should go in the mail tomorrow. Vol 1 Issue 1 goes to the printer tomorrow and should be in your hands by 1 APR 1982. I hope you will enjoy them.

I am anxious to know how you fit into the Upchurch family and would appreciate if you would complete, enclose as possible, the enclosed Family Chart and return it to me I will then send you a note on how things fit.

Also I would welcome any address you may be able to provide of people who could be interested in UBA forms as enclosed for the address.

Sincerely yours  
Phil Upchurch

[ROBERT PHILLIP UPCHURCH]